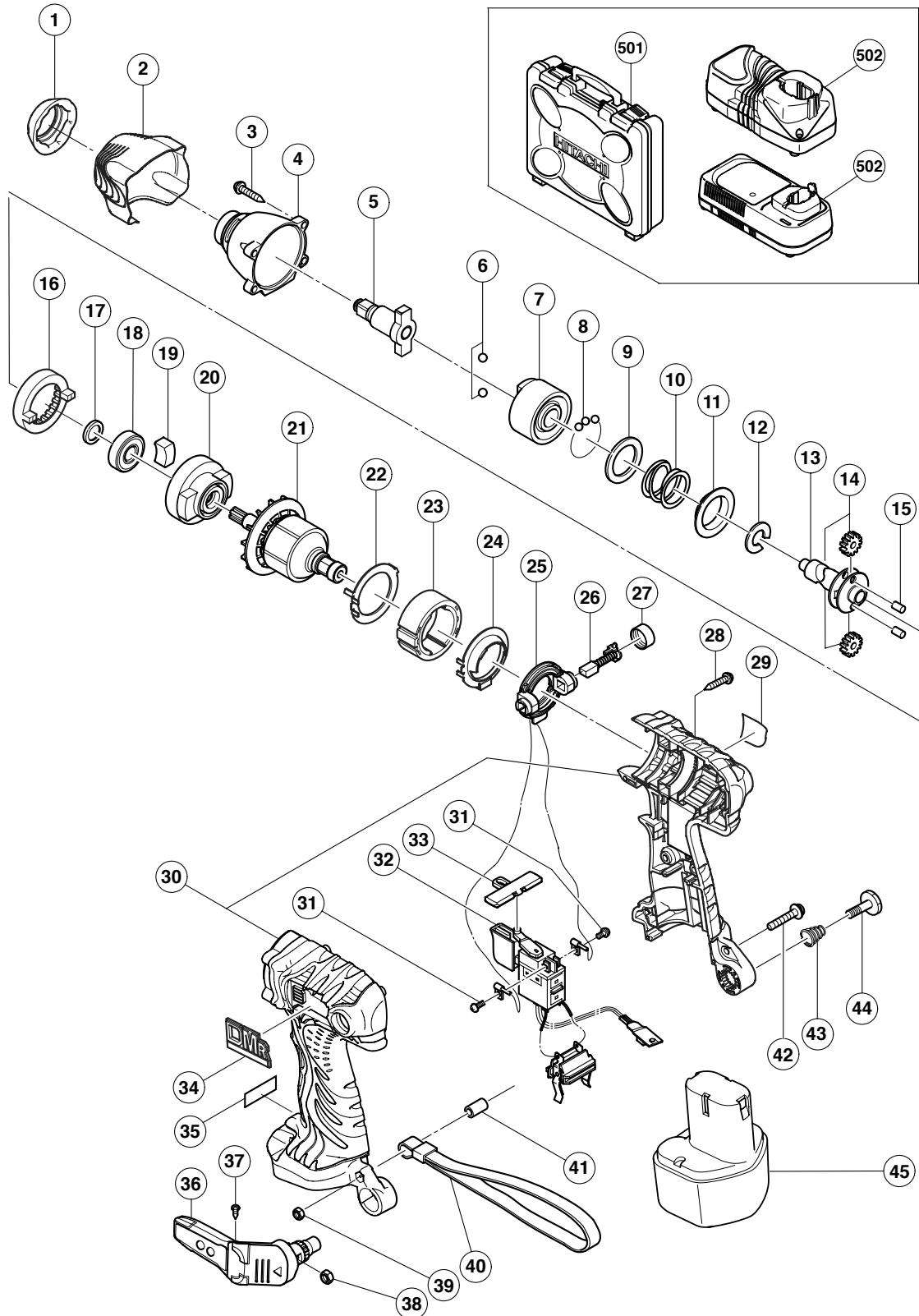


ELECTRIC TOOL PARTS LIST

CORDLESS IMPACT WRENCH Model WR 9DMR

2005 · 4 · 1

(E1)



PARTS

WR 9DMR

ITEM NO.	CODE NO.	DESCRIPTION	NO. USED	REMARKS
1	322-727	FRONT CAP (B)	1	
2	322-728	PROTECTOR (C)	1	
3	319-917	TAPPING SCREW (W/SP. WASHER) D4X25 (BLACK)	4	
4	322-172	HAMMER CASE	1	
5	322-732	ANVIL (U)	1	
6	959-154	STEEL BALL D5.556 (10 PCS.)	2	
7	322-730	HAMMER (F)	1	
8	959-148	STEEL BALL D3.175 (10 PCS.)	28	
9	315-978	WASHER (J)	1	
10	320-407	HAMMER SPRING (A)	1	
11	316-172	WASHER (S)	1	
12	316-171	STOPPER	1	
13	321-666	SPINDLE (D)	1	
14	321-667	IDLE GEAR SET (2 PCS.)	2	
15	319-914	NEEDLE ROLLER	2	
16	320-877	RING GEAR (C)	1	
17	319-911	WASHER (E)	1	
18	690-1VV	BALL BEARING 6901VVCMP2L	1	
19	319-909	DAMPER	2	
20	321-664	INNER COVER (A)	1	
21	360-702	ARMATURE ASS'Y (W/BALL BEARING) DC 9.6V	1	
22	322-719	SIDE YOKE	1	
23	322-723	MAGNET (E)	1	
24	322-720	DUST GUARD FIN (B)	1	
25	321-662	BRUSH BLOCK	1	
26	999-054	CARBON BRUSH 5X6X11.5 (1 PAIR)	2	
27	319-918	BRUSH CAP	2	
28	302-086	TAPPING SCREW (W/FLANGE) D4X20 (BLACK)	7	
29		NAME PLATE	1	
30	324-287	HOUSING (A). (B) SET	1	
31	994-532	MACHINE SCREW (W/SP. WASHER) M3X5	2	
32	319-906	DC-SPEED CONTROL SWITCH	1	
33	321-661	PUSHING BUTTON (A)	1	
34	324-285	HITACHI PLATE	1	
* 35		CAUTION PLATE (A)	1	FOR USA, CAN
36	321-918	HOOK ASS'Y (W/LIGHT)	1	INCLUD. 37, 38
37	321-672	TAPPING SCREW D2X6	2	
38	320-288	V-LOCK NUT M5	1	
39	949-565	LOCK NUT M4 (10 PCS.)	1	
40	306-952	STRAP (BLACK)	1	
41	322-718	SLEEVE (A)	1	
42	324-278	MACHINE SCREW (W/WASHERS) M4X25 (BLACK)	1	
43	319-926	HOOK SPRING	1	
44	319-927	SPECIAL SCREW M5	1	
* 45	318-368	BATTERY EB 930H (W/ENGLISH N.P.)	2	
* 45	323-225	BATTERY EB 926H (W/ENGLISH N.P.)	2	
* 45	310-377	BATTERY EB 9B (W/ENGLISH N.P.)	2	
* 45	310-451	BATTERY EB 9B (W/ENGLISH N.P.)	2	FOR USA, CAN
* 45	324-288	BATTERY EB 9B (W/ENGLISH N.P.)	2	FOR TPE

