

HITACHI

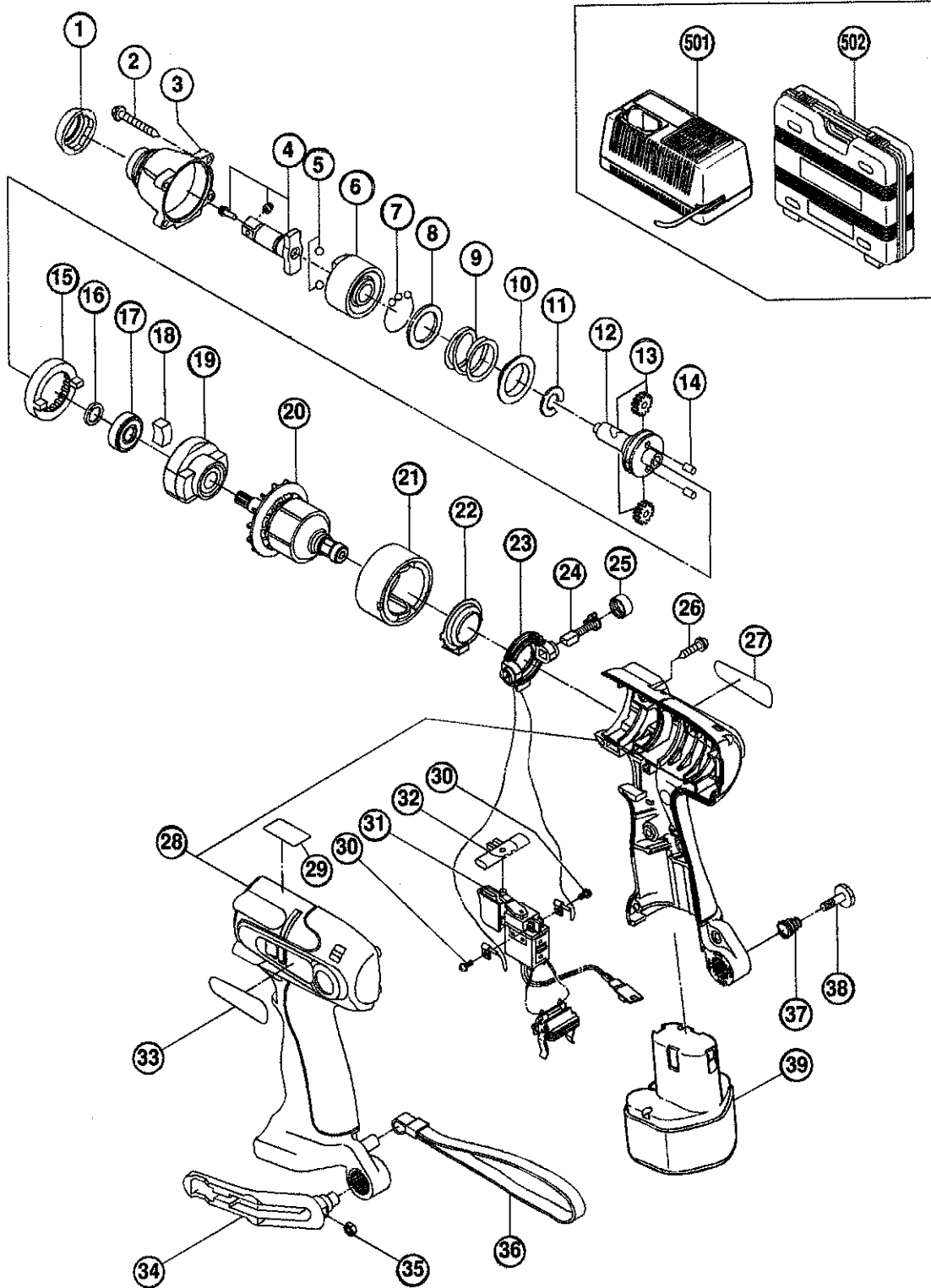
LIST NO. F865

ELECTRIC TOOL PARTS LIST

■ CORDLESS IMPACT WRENCH
Model WR 9DM

2001.10.25

(E1)



PARTS

WR 9DM

ITEM NO.	CODE NO.	DESCRIPTION	NO. USED	REMARKS
1	320-383	FRONT CAP	1	
2	319-917	TAPPING SCREW (W/SP. WASHER) D4X25 (BLACK)	4	
3	320-413	HAMMER CASE	1	
4	320-414	ANVIL (M)	1	
5	959-154	STEEL BALL D5.556 (10 PCS.)	2	
6	320-416	HAMMER (A)	1	
7	959-148	STEEL BALL D3.175 (10 PCS.)	28	
8	315-978	WASHER (J)	1	
9	320-415	HAMMER SPRING (B)	1	
10	316-172	WASHER (S)	1	
11	316-171	STOPPER	1	
12	319-912	SPINDLE	1	
13	319-913	IDLE GEAR SET (2 PCS.)	2	
14	319-914	NEEDLE ROLLER	2	
15	319-910	RING GEAR	1	
16	319-911	WASHER (E)	1	
17	690-1VV	BALL BEARING 6901VVCMP2L	1	
18	319-909	DAMPER	2	
19	319-908	INNER COVER	1	
20	360-564	ARMATURE ASS'Y (W/BALL BEARING) DC 9.6V	1	
21	319-919	MAGNET	1	
22	319-907	DUST GUARD FIN	1	
23	320-376	BRUSH BLOCK	1	
24	999-054	CARBON BRUSH 5X6X11.5 (1 PAIR)	2	
25	319-918	BRUSH CAP	2	
26	302-086	TAPPING SCREW (W/FLANGE) D4X20 (BLACK)	7	
27		NAME PLATE	1	
28	320-412	HOUSING (A).(B) SET	1	
* 29		CAUTION PLATE	1	FOR USA
30	994-532	MACHINE SCREW (W/SP. WASHER) M3X5	2	
31	319-906	DC-SPEED CONTROL SWITCH	1	
32	316-166	PUSHING BUTTON	1	
33		HITACHI LABEL	1	
34	320-378	HOOK ASS'Y	1	INCLUD.35
35	320-288	V-LOCK NUT M5	1	
36	306-952	STRAP (BLACK)	1	
37	319-926	HOOK SPRING	1	
38	319-927	SPECIAL SCREW M5	1	
* 39	310-377	BATTERY EB 9B (W/ENGLISH N.P.)	1	
* 39	310-451	BATTERY EB 9B (W/ENGLISH N.P.)	1	FOR USA
* 39	318-368	BATTERY EB 930H (W/ENGLISH N.P.)	1	FOR NOR,SWE,DEN

STANDARD ACCESSORIES

WR 9DM

ITEM NO.	CODE NO.	DESCRIPTION	NO. USED	REMARKS
501		CHARGER (MODEL UC 14YF2)	1	
502	320-377	CASE	1	

OPTIONAL ACCESSORIES

ITEM NO.	CODE NO.	DESCRIPTION	NO. USED	REMARKS
601	996-125	HEX. SOCKET ASS'Y 8MMX33L	1	INCLUD.602,603
602	996-124	SOCKET PIN (A)	1	
603	873-095	O-RING (P-16)	1	
604	996-126	HEX. SOCKET ASS'Y 10MMX33L	1	INCLUD.602,603
605	996-127	HEX. SOCKET ASS'Y 12MMX33L	1	INCLUD.602,603
606	996-128	HEX. SOCKET ASS'Y 13MMX33L	1	INCLUD.607,608
607	996-123	SOCKET PIN (B)	1	
608	873-570	O-RING (P-18)	1	
609	996-129	HEX. SOCKET ASS'Y 14MMX33L	1	INCLUD.607,608
610	996-130	HEX. SOCKET ASS'Y 16MMX33L	1	INCLUD.607,608
611	996-131	HEX. SOCKET ASS'Y 17MMX33L	1	INCLUD.607,608
612	996-132	HEX. SOCKET ASS'Y 18MMX33L	1	INCLUD.607,608
613	996-133	HEX. SOCKET ASS'Y 19MMX33L	1	INCLUD.607,608
614	996-134	HEX. SOCKET ASS'Y (LONG) 8MMX60L	1	INCLUD.602,603
615	996-135	HEX. SOCKET ASS'Y (LONG) 10MMX60L	1	INCLUD.602,603
616	996-136	HEX. SOCKET ASS'Y (LONG) 12MMX60L	1	INCLUD.602,603
617	996-137	HEX. SOCKET ASS'Y (LONG) 13MMX60L	1	INCLUD.607,608
618	996-138	HEX. SOCKET ASS'Y (LONG) 14MMX60L	1	INCLUD.607,608
619	996-139	HEX. SOCKET ASS'Y (LONG) 16MMX60L	1	INCLUD.607,608
620	996-140	HEX. SOCKET ASS'Y (LONG) 17MMX60L	1	INCLUD.607,608
621	996-141	HEX. SOCKET ASS'Y (LONG) 18MMX60L	1	INCLUD.607,608
622	996-142	HEX. SOCKET ASS'Y (LONG) 19MMX60L	1	INCLUD.607,608
623	996-143	EXTENSION BAR ASS'Y	1	INCLUD.602,603
624	996-144	BIT ADAPTER ASS'Y	1	INCLUD.602,603
625	996-145	ADAPTER ASS'Y 12.7MM	1	INCLUD.607,608
626	996-147	UNIVERSAL JOINT ASS'Y	1	INCLUD.607,608,627
627	996-163	UNIVERSAL JOINT PIN	1	
628	309-922	GREASE FOR IMPACT DRIVER (500G)	1	