

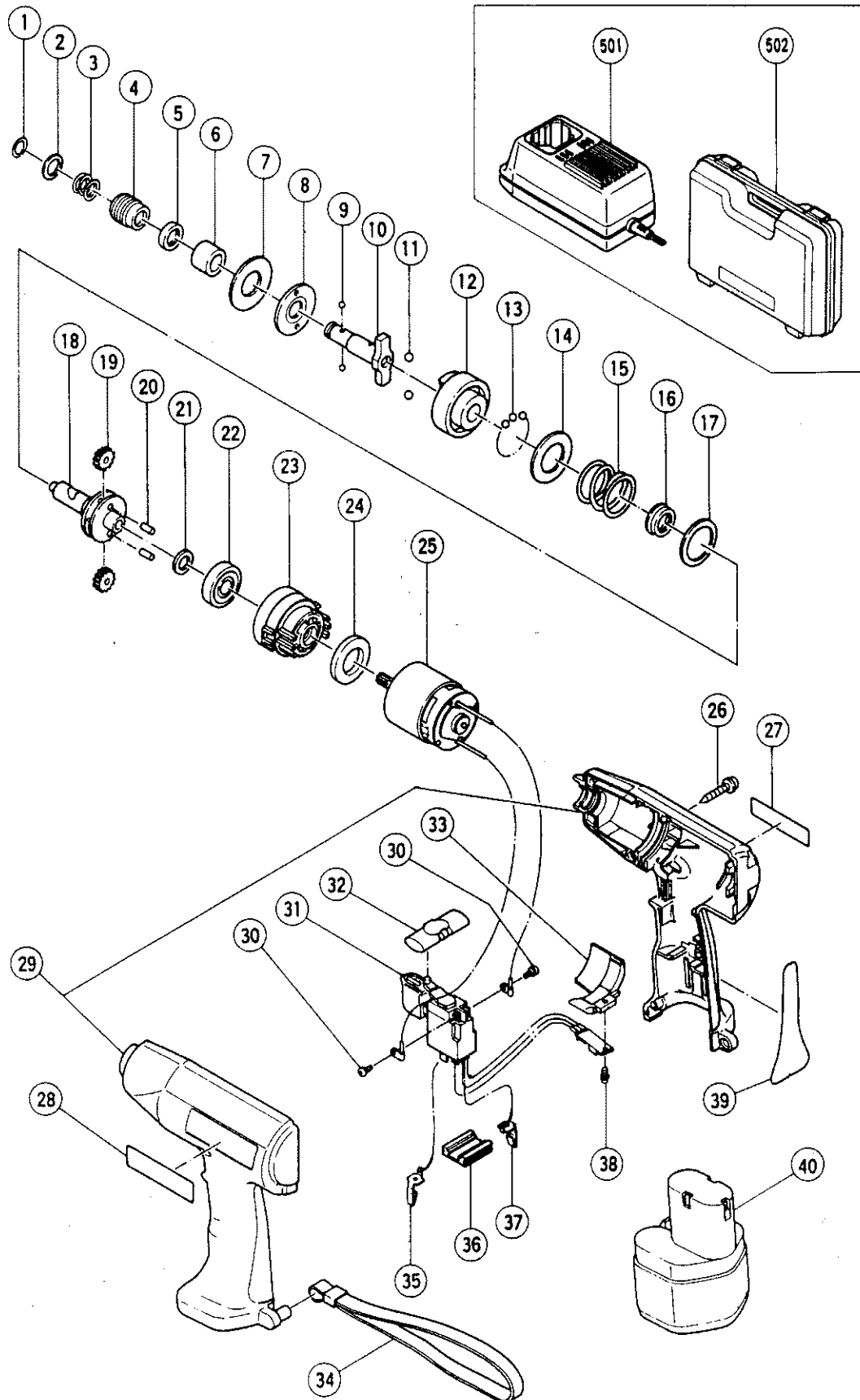
# HITACHI

LIST NO. E892

## ELECTRIC TOOL PARTS LIST

■ CORDLESS IMPACT DRIVER  
Model WH 8DC2

1995 • 5 • 20  
(E1)



PARTS

WH 8DC2

ITEM NO.	CODE NO.	DESCRIPTION	NO. USED	REMARKS
1	995-933	RETAINING RING	1	
2	307-899	RETAINER	1	
3	995-931	GUIDE SPRING	1	
4	307-782	GUIDE SLEEVE (A)	1	
5	302-326	OIL SEAL	1	
6	302-327	METAL	1	
7	302-328	RUBBER WASHER	1	
8	302-329	WASHER (F)	1	
9	959-148	STEEL BALL D3.175 (10 PCS.)	2	
10	309-171	ANVIL (H)	1	
10	307-818	ANVIL (G)	1	FOR SIN
11	959-154	STEEL BALL D5.556 (10 PCS.)	2	
12	302-330	HAMMER	1	
13	959-155	STEEL BALL D3.97 (10 PCS.)	21	
14	302-331	WASHER (G)	1	
15	302-334	SPRING	1	
16	310-321	STOPPER (A)	1	
17	302-333	WASHER (H)	1	
18	302-332	SPINDLE	1	
19	991-448	IDLE GEAR	2	
20	991-449	NEEDLE ROLLER	2	
21	991-455	WASHER (C)	1	
22	600-1VV	BALL BEARING 6001VVCMP2L	1	
23	310-320	INNER COVER	1	
24	310-319	DAMPER	1	
25	310-324	MOTOR	1	
26	302-086	TAPPING SCREW (W/FLANGE) D4X20 (BLACK)	9	
27		NAME PLATE	1	
28		HITACHI LABEL	1	
29	310-389	HOUSING (A),(B) SET	1	INCLUD.39
30	994-532	MACHINE SCREW (W/SP. WASHER) M3X5	2	
31	310-328	SWITCH ASSY (1P SCREW TYPE) W/O LOCK	1	INCLUD.35,37
32	306-151	PUSHING BUTTON	1	
33	310-325	FIN	1	
34	306-952	STRAP	1	
35	310-328	TERMINAL (C) (BROWN)	1	
36	991-688	TERMINAL SUPPORT	1	
37	310-329	TERMINAL (C) (BLUE)	1	
38	301-791	MACHINE SCREW (W/SP. WASHER) M3.5X8	1	
39	310-323	GRIP TAPE	1	
* 40	991-681	BATTERY EB 9 (W/ENGLISH N.P.)	1	
* 40	991-642Z	BATTERY EB 9 (W/ENGLISH N.P.)	1	FOR TPE,SIN
* 40	991-643Z	BATTERY EB 9 (W/FRENCH N.P.)	1	FOR FRA
* 40	991-644Z	BATTERY EB 9 (W/ENGLISH N.P.)	1	FOR USA

\*: ALTERNATIVE PARTS

