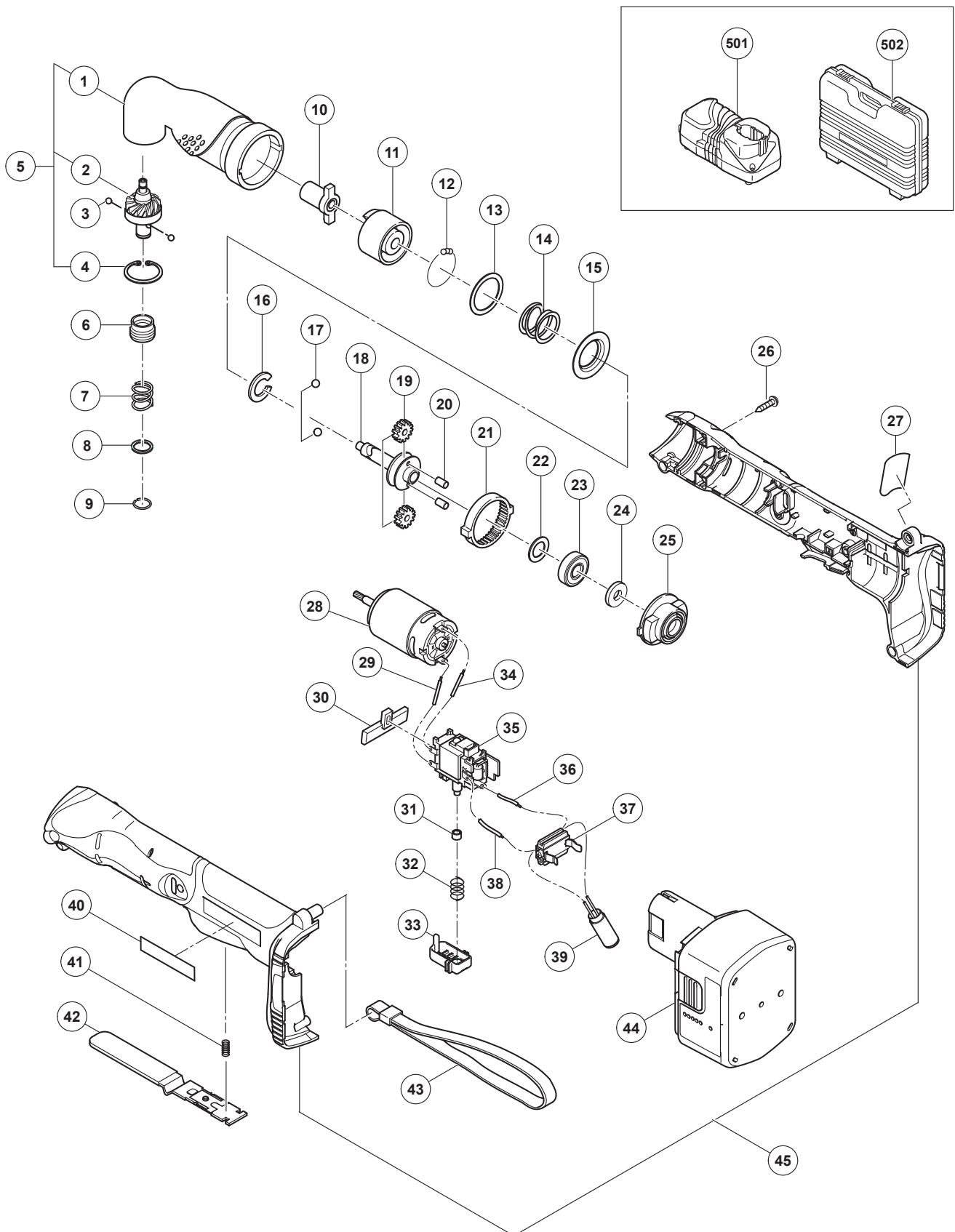


## ELECTRIC TOOL PARTS LIST

**CORDLESS ANGLE IMPACT DRIVER 2008·8·29**  
**Model WH 14DY (E1)**



**PARTS**

WH 14DY

ITEM NO.	CODE NO.	DESCRIPTION	NO. USED	REMARKS
1	329-672	HAMMER CASE	1	
2	330-624	FINAL GEAR	1	
3	319-535	STEEL BALL D3.5 (10 PCS.)	2	
4	939-555	RETAINING RING FOR D28 HOLE (10 PCS.)	1	
5	330-623	HAMMER CASE SET	1	INCLUD. 1, 2, 4
6	322-717	GUIDE SLEEVE (D)	1	
7	330-617	GUIDE SPRING (C)	1	
8	330-618	WASHER (D)	1	
9	330-619	RETAINING RING	1	
10	329-660	ANVIL (B)	1	
11	329-665	HAMMER (A)	1	
12	959-148	STEEL BALL D3.175 (10 PCS.)	24	
13	329-617	WASHER (J)	1	
14	329-658	HAMMER SPRING	1	
15	329-614	WASHER (S)	1	
16	329-613	STOPPER (B)	1	
17	959-149	STEEL BALL D4.76 (10 PCS.)	2	
18	329-659	SPINDLE	1	
19	329-611	IDLE GEAR SET (2 PCS.)	2	
20	329-612	NEEDLE ROLLER (A)	2	
21	329-610	RING GEAR (E)	1	
22	319-911	WASHER (E)	1	
23	690-1VV	BALL BEARING 6901VVCMP2L	1	
24	329-518	FELT	1	
25	329-657	INNER COVER (D)	1	
26	301-653	TAPPING SCREW (W/FLANGE) D4X20 (BLACK)	8	
27		NAME PLATE	1	
28	329-669	MOTOR	1	
29	329-671	INTERNAL WIRE (BLACK) 57L	1	
30	329-656	PUSHING BUTTON	1	
31	330-620	BUSHING (S)	1	
32	330-621	SPRING (S)	1	
33	330-622	TRIGGER	1	
34	329-670	INTERNAL WIRE (RED) 36L	1	
35	329-668	DC-SPEED CONTROL SWITCH	1	
36	329-679	INTERNAL WIRE (RED) 26L	1	
37	329-678	BATTERY TERMINAL	1	
38	329-680	INTERNAL WIRE (BLACK) 52L	1	
39	329-677	NOISE SUPPRESSOR	1	
40		HITACHI LABEL	1	
41	329-655	SPRING	1	
42	329-654	PADDLE LEVER	1	
43	306-952	STRAP (BLACK)	1	
44	315-130	BATTERY EB 14B (EUROPE)	2	
45	329-676	HOUSING (A). (B) SET	1	



