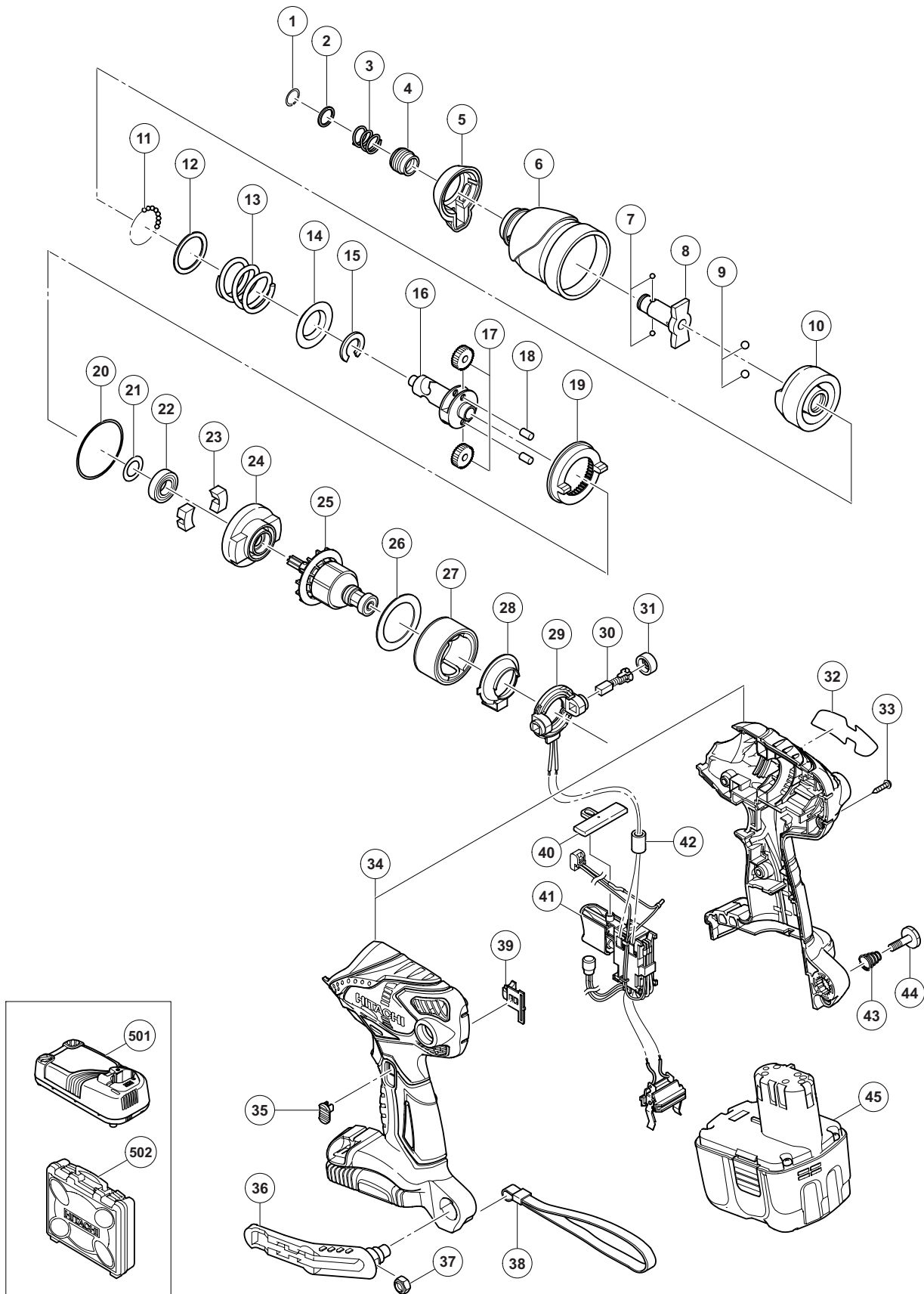


ELECTRIC TOOL PARTS LIST

■ CORDLESS IMPACT DRIVER Model WH 14DL2

2012-9-10
(E1)



PARTS

WH 14DL2

ITEM NO.	CODE NO.	DESCRIPTION	NO. USED	REMARKS
1	330-619	RETAINING RING	1	
2	330-856	WASHER (D)	1	
3	331-284	GUIDE SPRING (D)	1	
4	322-717	GUIDE SLEEVE (D)	1	
5	332-198	FRONT CAP	1	
6	333-745	HAMMER CASE	1	
7	319-535	STEEL BALL D3.5 (10 PCS.)	2	
* 8	333-744	ANVIL (D)	1	
* 8	333-743	ANVIL (C)	1	FOR IND, UAE, SIN, HKG, VIE
9	959-154	STEEL BALL D5.556 (10 PCS.)	2	
10	324-218	HAMMER	1	
11	959-148	STEEL BALL D3.175 (10 PCS.)	28	
12	315-978	WASHER (J)	1	
13	324-224	HAMMER SPRING (F)	1	
14	316-172	WASHER (S)	1	
15	324-222	STOPPER (B)	1	
16	332-186	SPINDLE	1	
17	326-295	IDLE GEAR SET (2 PCS.)	2	
18	319-914	NEEDLE ROLLER	2	
19	333-747	RING GEAR (E)	1	
20	983-852	O-RING (S-42)	1	
21	319-911	WASHER (E)	1	
22	690-1VV	BALL BEARING 6901VVCMP2L	1	
23	324-230	DAMPER (A)	2	
24	332-185	INNER COVER	1	
25	360-928	ARMATURE AND PINION SET	1	
26	324-607	SIDE YOKE (A)	1	
27	334-901	MAGNET (J) ASS'Y	1	INCLUD. 26
28	324-228	DUST GUARD FIN (B)	1	
29	334-955	BRUSH BLOCK	1	
30	999-054	CARBON BRUSH 5 X 6 X 11.5 (1 PAIR)	2	
31	319-918	BRUSH CAP	2	
32		NAME PLATE	1	
33	301-653	TAPPING SCREW (W/FLANGE) D4 X 20 (BLACK)	9	
34	334-952	HOUSING (A).(B) SET	1	
35	329-519	LEVER (A)	1	
36	320-287	HOOK ASS'Y	1	INCLUD. 37
37	320-288	V-LOCK NUT M5	1	
38	306-952	STRAP (BLACK)	1	
39	329-520	LEVER (B)	1	
40	329-454	PUSHING BUTTON (A)	1	
41	334-960	WIRING SET	1	
* 42	318-247	FERRITE CORE	1	FOR EUROPE, RUS, AUT, ISR
43	319-926	HOOK SPRING	1	
44	320-881	SPECIAL SCREW (A) M5	1	
* 45	326-824	BATTERY BCL 1430 (EUROPE, AUS, NZL)	2	
* 45	334-423	BATTERY BCL 1440 (EUROPE, AUS, NZL)	2	

