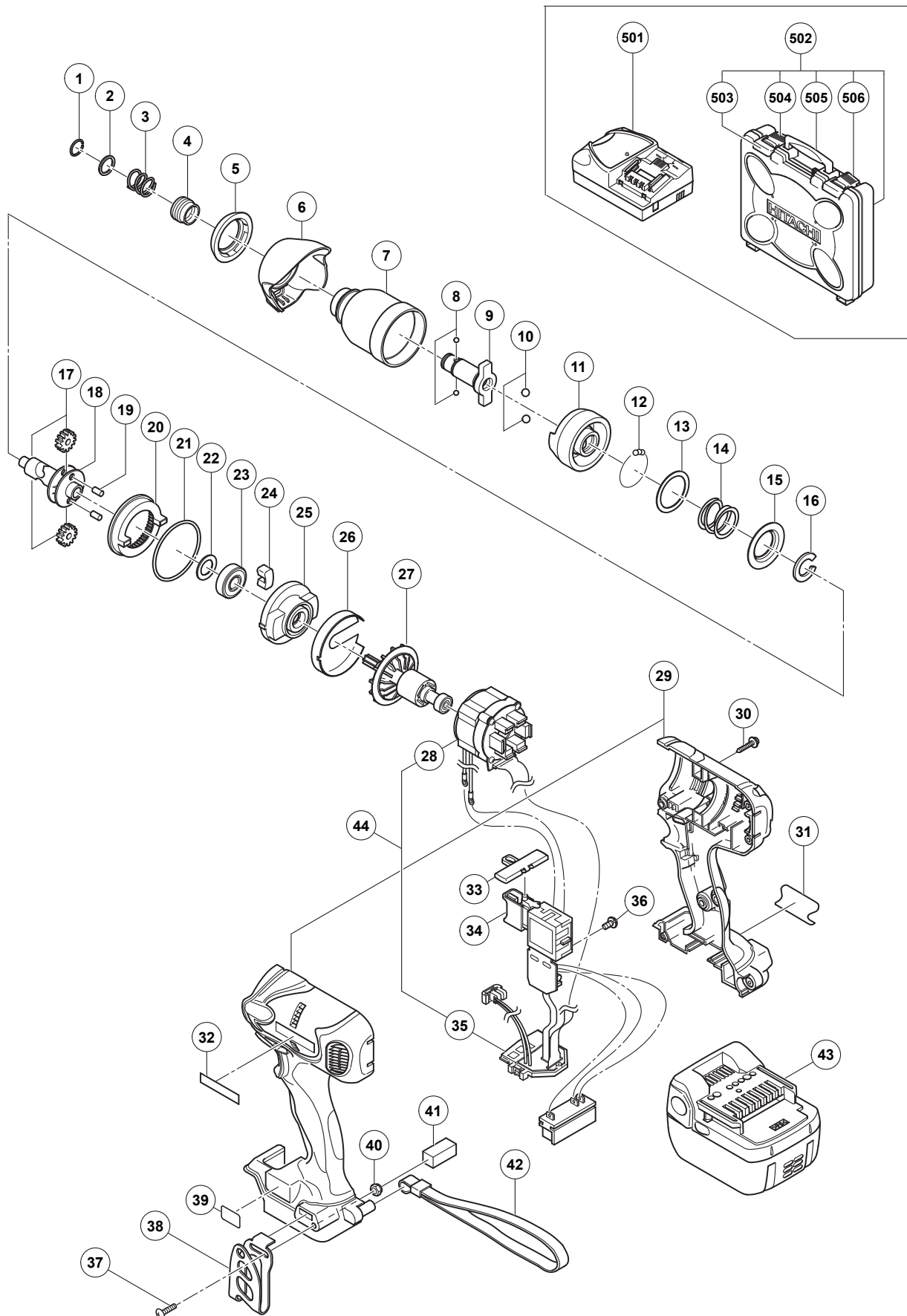


## ELECTRIC TOOL PARTS LIST

### CORDLESS IMPACT DRIVER Model WH 14DBL

2008·2·6  
(E1)



**PARTS**

WH 14DBL

ITEM NO.	CODE NO.	DESCRIPTION	NO. USED	REMARKS
1	315-984	RETAINING RING	1	
2	315-983	WASHER (D)	1	
3	321-657	GUIDE SPRING (D)	1	
4	322-717	GUIDE SLEEVE (D)	1	
5	327-766	FRONT CAP (F)	1	
6	328-650	FRONT COVER (BLACK)	1	
7	327-003	HAMMER CASE	1	
8	319-535	STEEL BALL D3.5 (10 PCS.)	2	
9	329-709	ANVIL (D)	1	
10	959-154	STEEL BALL D5.556 (10 PCS.)	2	
11	326-789	HAMMER (F)	1	
12	959-148	STEEL BALL D3.175 (10 PCS.)	28	
13	315-978	WASHER (J)	1	
14	321-660	HAMMER SPRING (D)	1	
15	316-172	WASHER (S)	1	
16	328-647	STOPPER (C)	1	
17	321-667	IDLE GEAR SET (2 PCS.)	2	
18	321-666	SPINDLE (D)	1	
19	319-914	NEEDLE ROLLER	2	
20	326-787	RING GEAR (E)	1	
21	983-852	O-RING (S-42)	1	
22	319-911	WASHER (E)	1	
23	323-118	BALL BEARING 6901VV-N	1	
24	322-143	DAMPER	2	
25	326-786	INNER COVER (D)	1	
26	328-649	DUST COVER	1	
27	328-651	ROTOR	1	
28	340-709	STATOR FET PCB	1	
* 29	329-721	HOUSING (A). (B) SET (GREEN)	1	
* 29	329-824	HOUSING (A). (B) SET (WHITE)	1	
* 29	329-444	HOUSING (A). (B) SET (RED)	1	
* 29	329-825	HOUSING (A). (B) SET (BLUE)	1	
30	301-653	TAPPING SCREW (W/FLANGE) D4X20 (BLACK)	9	
31		NAME PLATE	1	
32		HITACHI LABEL	1	
33	321-661	PUSHING BUTTON (A)	1	
34	328-645	DC-SPEED CONTROL SWITCH	1	
35	329-719	CONTROLLER CABLE	1	
36	994-532	MACHINE SCREW (W/SP. WASHER) M3X5	2	
37	327-001	M4 TRUSS HD. SCREW (BLACK)	1	
38	326-790	HOOK (A)	1	
39	329-720	PANEL SHEET	1	
40	327-002	LOCK NUT M4 (BLACK)	2	
41	328-644	PACKING	2	
42	306-952	STRAP (BLACK)	1	
43	329-083	BATTERY BSL 1430 (EUROPE)	2	
44	329-826	CONTROLLER. STATOR ASS'Y	1	INCLUD. 28, 35



