

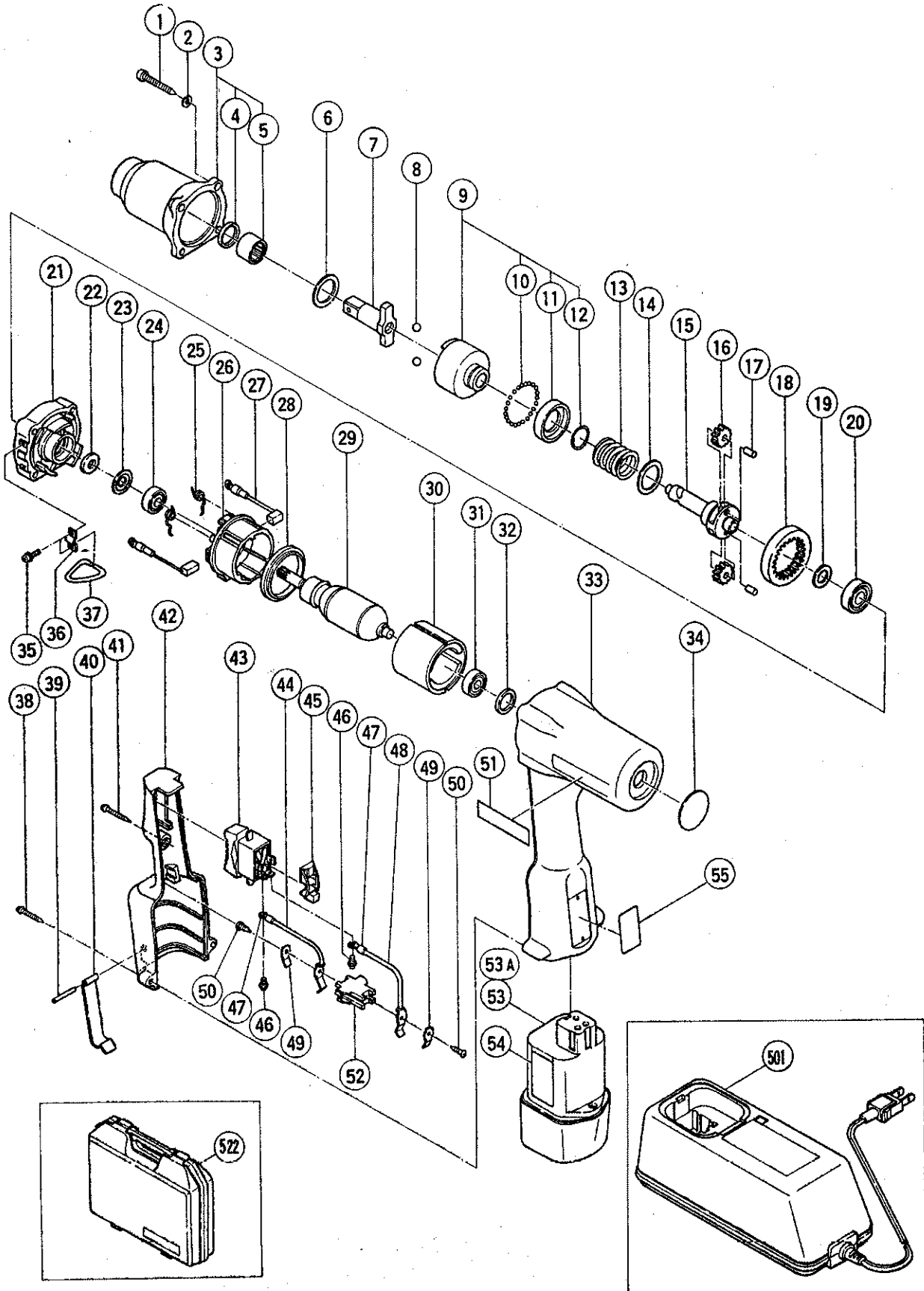
ELECTRIC TOOL PARTS LIST

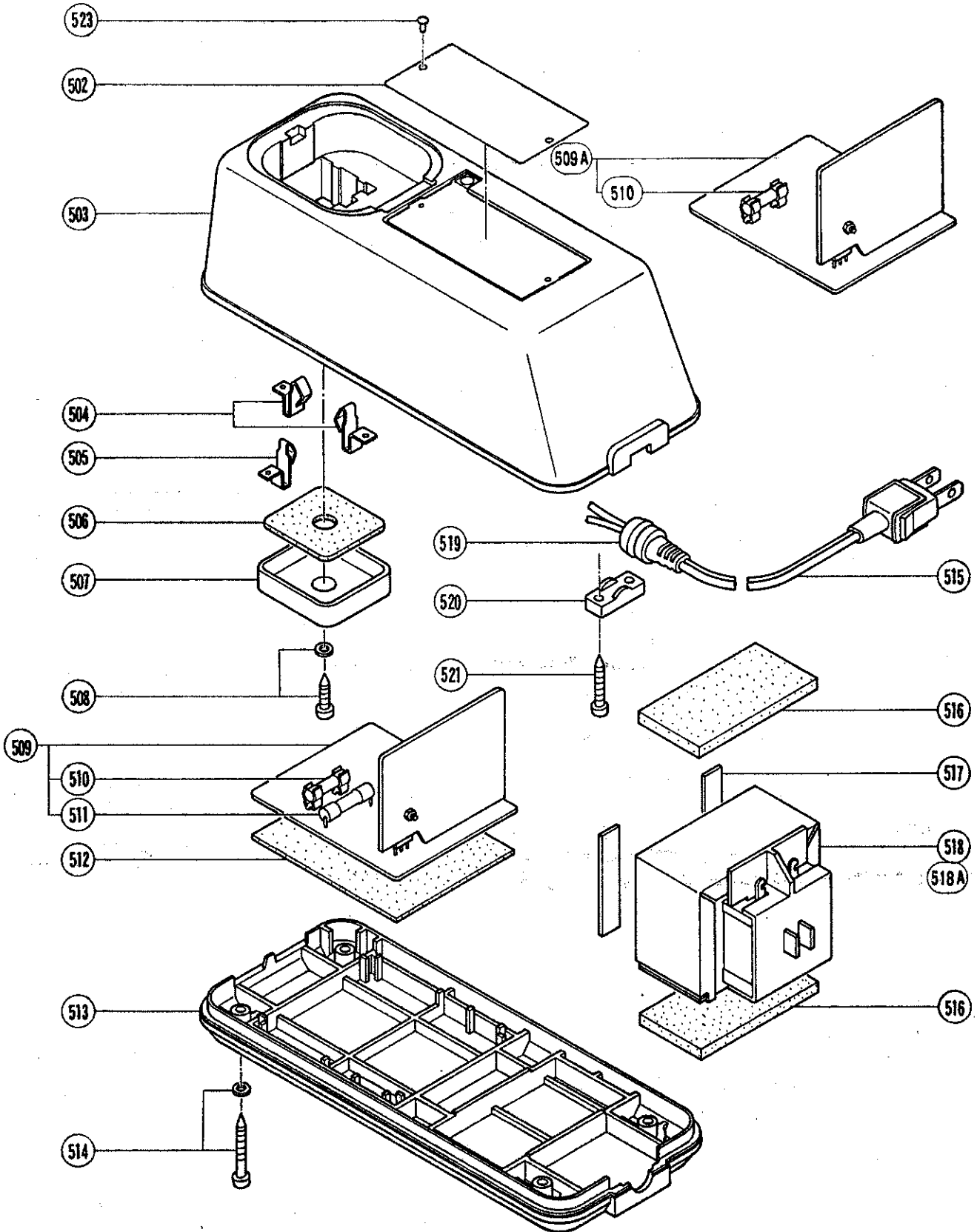
■ CORDLESS IMPACT WRENCH

1988.3.20

Model WH10D

WH10D(E2)





PARTS

WH10D (E2)

Item No.	Code No.	Part Name	Q'ty	Remarks
1	971303	Tapping Screw D5 x 40	4	
2	949454	Spring Lock Washer	4	for M5 (10 pcs.)
3	991457	Hammer Case Ass'y	1	includ. 4, 5
4	991458	Oil Seal	1	
5	991459	Needle Bearing (HK 1616)	1	
6	991456	Washer (A)	1	
7	—	Anvil	1	See alternative parts
8	959154	Steel Ball D5.55	2	(10 pcs.)
9	991472	Hammer Ass'y	1	includ. 10-12
10	959148	Steel Ball D3.17	23	(10 pcs.)
11	991453	Spring Seat	1	
12	991454	Retaining Ring	1	
13	991451	Spring	1	
14	991450	Washer (B)	1	
15	991470	Spindle	1	
16	991448	Idle Gear	2	
17	991449	Needle Roller	2	
18	991447	Ring Gear	1	
19	991455	Washer (C)	1	
20	991478	Ball Bearing (6001C2)	1	
21	991444	Inner Cover	1	
22	991445	Felt Washer	1	
23	991446	Packing Washer	1	
24	939291	Ball Bearing (608VVC2)	1	
25	991467	Brush Spring	2	
26	991461	Brush Case	1	
27	991468	Carbon Brush	2	(2 pcs.)
28	991460	Rubber Ring (CR610)	1	
29	991443	Armature	1	
30	991442	Magnet		
31	939291	Ball Bearing (608VVC2)	1	
32	985198	Rubber Washer	1	
33	991440	Housing	1	
34	991441	Tail Cover	1	
35	987203	Machine Screw M4 x 12	2	(Seal Lock Screw) w/Spring Lock Washer
36	991475	Hanger Plate	1	
37	991473	Hanger (B)	1	
38	956636	Tapping Screw D4 x 25	2	w/Washer
39	949548	Roll Pin D4 x 25	1	(10 pcs.)
40	980581	Battery case Holder	1	
41	982095	Tapping Screw D4 x 20	1	w/Washer
42	991466	Handle Cover	1	
43	985103	Switch	1	
44	991462	Terminal Ass'y	1	includ. 47
45	985176	Switch Adapter	1	
46	980060	Machine Screw M3.5 x 5	4	w/Washer
47	930804	Terminal D4	2	(10 pcs.)
48	991463	Terminal Ass'y	1	includ. 47
49	991464	Holder Spring	2	
50	954017	Tapping Screw D4 x 12	2	
51	983865	HITACHI Label	1	
52	991465	Terminal Piece	1	
53	—	Battery	1	See alternative parts

PARTS

WH10D (E2)

Item No.	Code No.	Part Name	Q'ty	Remarks
54	—	Battery Name Plate	1	
55	—	Name Plate	1	

ALTERNATIVE PARTS

Item No.	Code No.	Part Name	Q'ty	Remarks
7	991469	Anvil	1	
	991482	Anvil	1	for U.S.A., Canada
53	982463Z	Battery (Model B-3, w/English N.P.)	1	
	982467Z	Battery (Model B-3, w/English N.P.)	1	for U.S.A., Canada
	982464Z	Battery (Model B-3, w/German N.P.)	1	
	982465Z	Battery (Model B-3, w/French N.P.)	1	
53A	982471	Battery (Model B-3, w/German N.P.)	1	for Switzerland

STANDARD ACCESSORIES

Item No.	Code No.	Part Name	Q'ty	Remarks
501	—	Charger (Model BC-3)	1	includ. 502-521
502	—	Name Plate	1	
503	982505	Case (A)	1	
	982511Z	Case (A)	1	for U.S.A., Canada
	982523Z	Case (A)	1	for Finland
504	982493	Terminal (A)	2	
505	982494	Terminal (B)	1	
506	982492	Cushion (C)	1	
507	982507	Terminal Holder	1	
	982513Z	Terminal Holder	1	for U.S.A., Canada
	982524Z	Terminal Holder	1	for Finland
508	982034	Tapping Screw D4 x 12	1	w/Washer
509	982526	Print Board Ass'y 120V	1	for U.S.A. includ. 510, 511
509A	982502Z	Print Board Ass'y	1	includ. 510
	982821	Print Board Ass'y	1	for Canada includ. 510
510	982503Z	Fuse	1	
	986452	Fuse	1	for Indonesia, Syria till 4, 1985
	982528	Fuse	1	for U.S.A., Canada
511	982510	Fuse (A)	1	till 4, 1985
	982527	Fuse (B)	1	for U.S.A. for Canada till 4, 1985
512	982491	Cushion (B)	1	
513	982506	Case (B)	1	
	982512Z	Case (B)	1	for U.S.A. Canada
	982525Z	Case (B)	1	for Finland
514	980612	Tapping Screw D4 x 25	4	w/Washer
515	993646	AC Cord 110V~240V	1	
	980642Z	Cord 110V~240V	1	
	982529	Cord 120V	1	for U.S.A., Canada
	991166	Cord 220V	1	for Finland
	980643Z	Cord 230V~240V	1	for N.Z., Papua New Guinea
	980644Z	Cord 240V	1	for U.K.

STANDARD ACCESSORIES

Item No.	Code No.	Part Name	Q'ty	Remarks
515	980611	Cord 240V	1	for Australia
516	982520	Cushion (A)	2	
517	982520	Spacer	2	
518	982498Z	Transformer 110V	1	
	993651	Transformer 115V	1	
	982495Z	Transformer 120V	1	
	993652	Transformer 220V	1	
	993653	Transformer 230V	1	
	993654	Transformer 240V	1	
518A	993651	Transformer 115V~120V	1	for Canada, Ecuador
519	991167	Cord Armor	1	
	991168	Cord Armor (B)	1	for Finland
520	937631	Cord Clip	1	
521	956384	Tapping Screw D4 x 20	2	
522	991479	Case	1	

OPTIONAL ACCESSORIES

Item No.	Code No.	Part Name	Q'ty	Remarks
601	873632	Hexagon Socket Ass'y 12MM	1	includ. 602, 603
602	873537	Socket Pin	1	
603	873187	O-Ring (JIS W1516)	1	
604	873539	Hexagon Socket Ass'y 13MM	1	includ. 602, 603
605	873540	Hexagon Socket Ass'y 14MM	1	includ. 602, 603
606	873536	Hexagon Socket Ass'y 17MM	1	includ. 602, 603
607	873624	Hexagon Socket Ass'y 19MM	1	includ. 602, 603
608	873626	Hexagon Socket Ass'y 21MM	1	includ. 602, 603
609	873627	Hexagon Socket Ass'y 22MM	1	includ. 602, 603
610	986058	Socket Ass'y (for Plastic cone) 12MM	1	includ. 602, 603
611	873633	Extension Bar Ass'y 12.7MM [□]	1	includ. 602, 603
612	992610	Universal Joint Ass'y	1	includ. 602, 603, 613
613	955153	Universal Joint Pin	1	
614	955138	Long Hexagon Socket Ass'y 12MM	1	includ. 602, 603
615	955139	Long Hexagon Socket Ass'y 13MM	1	includ. 602, 603
616	955140	Long Hexagon Socket Ass'y 14MM	1	includ. 602, 603
617	955141	Long Hexagon Socket Ass'y 17MM	1	includ. 602, 603
618	955142	Long Hexagon Socket Ass'y 19MM	1	includ. 602, 603
619	955149	Long Hexagon Socket Ass'y (L) 17MM	1	includ. 602, 603
620	955150	Long Hexagon Socket Ass'y (L) 19MM	1	includ. 602, 603
621	955143	Long Hexagon Socket Ass'y 21MM	1	includ. 602, 603
622	955144	Long Hexagon Socket Ass'y 22MM	1	includ. 602, 603
623	930036	Grease JF375	1	(contained in tube, 50g)
624	—	Corner Attachment (Model EW-14R)	1	
625	991476	Bit Adaptor	1	
626	955151	Long Hexagon Socket Ass'y (L) 21MM	1	Includ. 602, 603
627	991480	Long Hexagon Socket Ass'y 21MM (L125)	1	includ. 602, 603
628	993658	Duct Socket Ass'y 12MM	1	includ. 602, 603, 629
629	993659	Duct Socket 12MM	1	
630	992613	Duct Socket Ass'y 13MM	1	includ. 602, 603, 631
631	992614	Duct Socket 13MM	1	
632	992615	Duct Socket Ass'y 14MM	1	Includ. 602, 603, 633