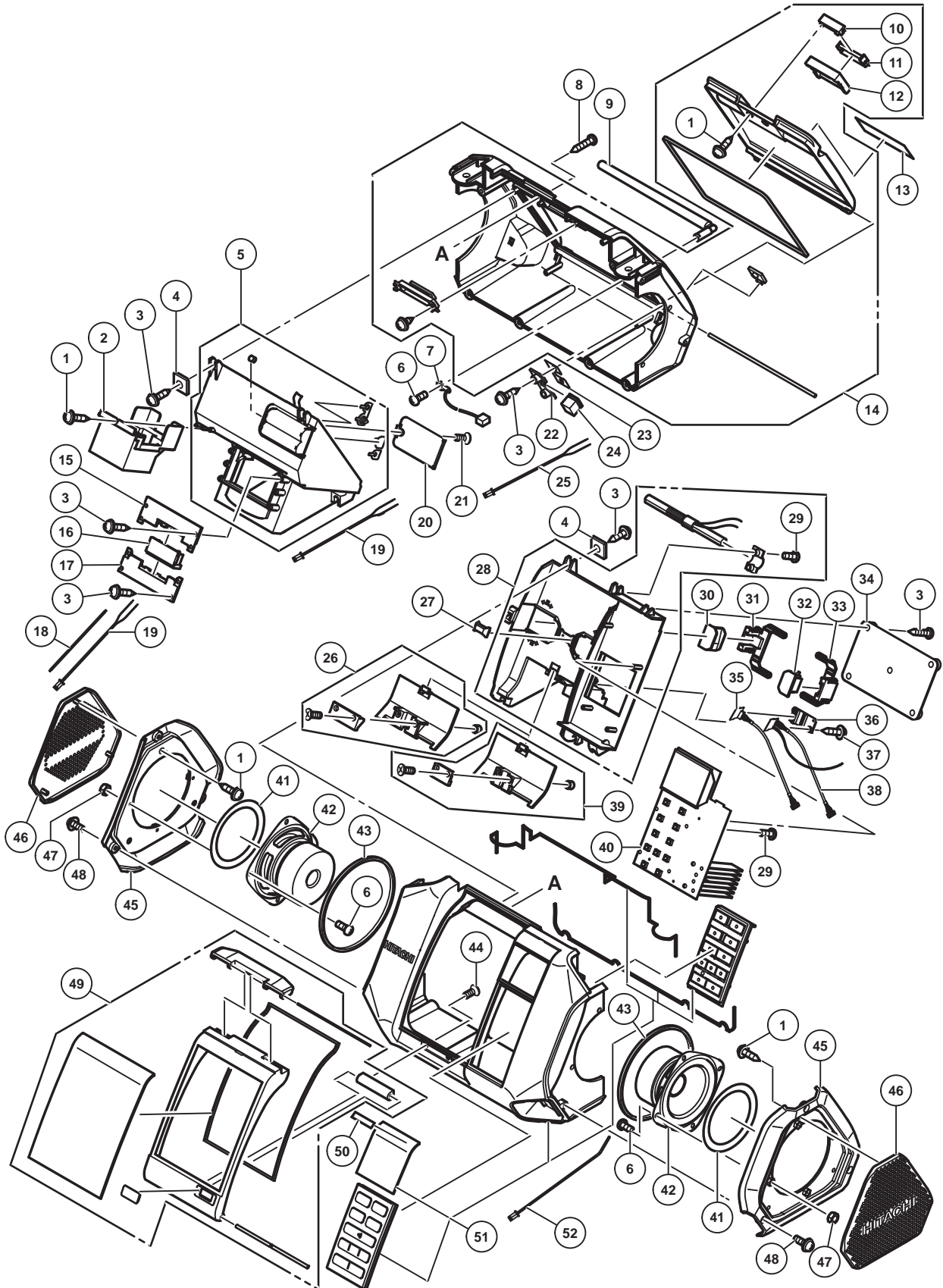
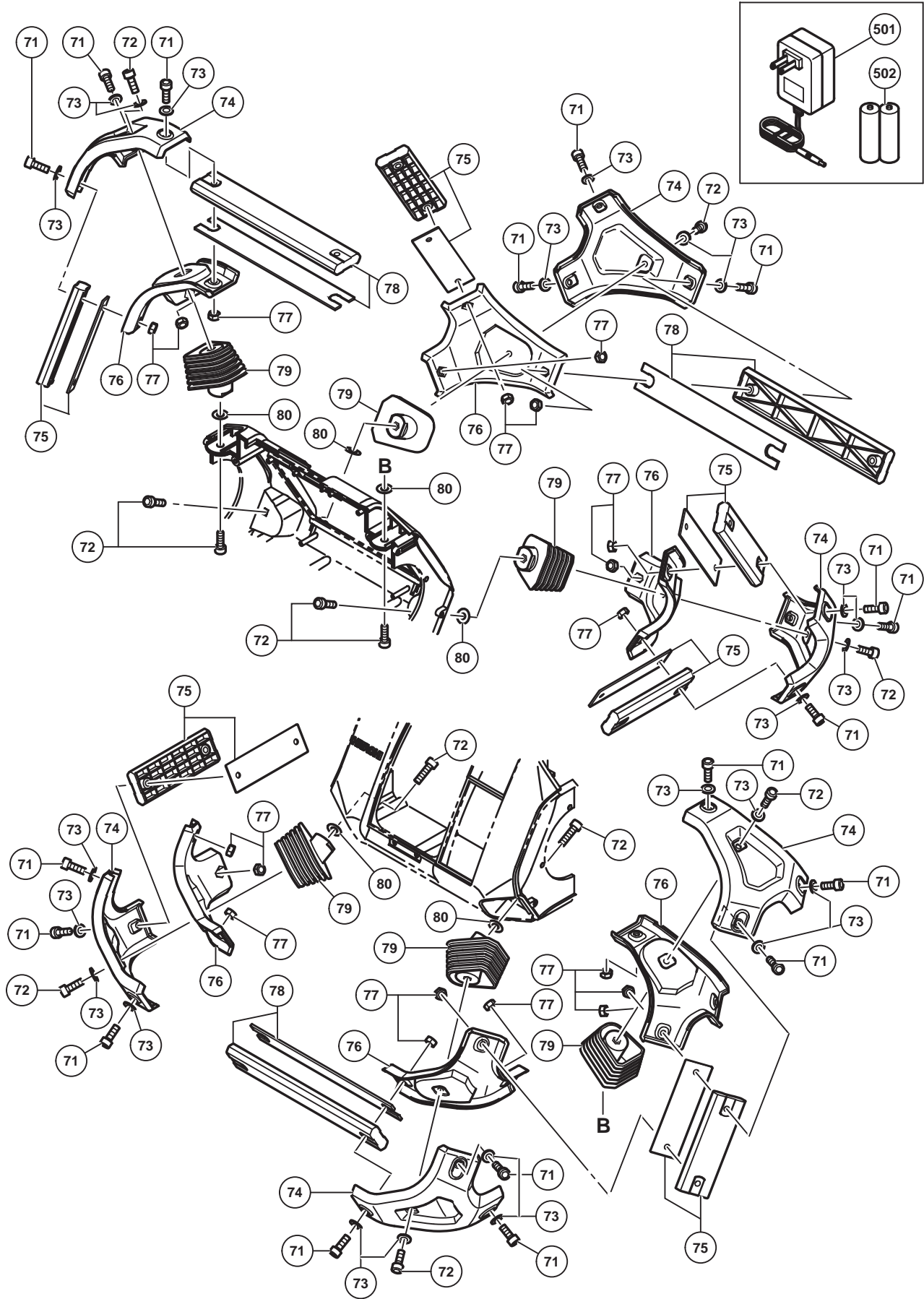


ELECTRIC TOOL PARTS LIST

CORDLESS RADIO
Model UR 18DSDL

2015-3-31
(E1)





PARTS

UR 18DSDL

ITEM NO.	CODE NO.	DESCRIPTION	NO. USED	REMARKS
1	338364	TAPPING SCREW (W/FLANGE) D2 X 8	12	
2	338392	ADAPTER STORAGE CASE	1	
3	338399	TAPPING SCREW (W/FLANGE) D2.3 X 8	19	
4	338409	SQUARE WASHER	11	
5	338365	BATTERY COMPARTMENT SET	1	
6	338398	MACHINE SCREW (W/FLANGE) M3 X 8	9	
7	338374	CONNECTOR A	1	
8	338397	TAPPING SCREW D4 X 18	7	
9	338390	RUBBER ANTENNA	1	
10	338363	LOWER BACK COVER BUTTON	1	
11	338362	UPPER BACK COVER BUTTON	1	
12	338361	BACK COVER LATCHING B	1	
13		NAME PLATE	1	
14	338360	BACK CABINET SET	1	INCLUD.1,10-12
15	338388	UPPER CONTACT BRACKET	1	
16	339154	BATTERY TERMINAL	1	
17	338389	LOWER CONTACT BRACKET	1	
18	338407	INTERNAL WIRE (B)	1	
19	338405	CONNECTOR C	2	
20	338387	BATTERY COVER	1	
21	338410	SCREW M3	1	
22	338394	DC JACK BRACKET	1	
23	339155	RUBBER SHEET (DC JACK)	1	
24	338396	DC JACK	1	
25	338404	CONNECTOR B	1	
26	338372	CABLE HOLDER (ANDROID)	1	
27	338385	SUPPORT	1	
28	338366	BRACKET SET	1	INCLUD.29
29	338400	TAPPING SCREW D2 X 6	6	
30	338383	LEFT LATCHING	1	
31	338378	LEFT LATCH MOUNTING	1	
32	338384	RIGHT LATCHING	1	
33	338379	RIGHT LATCH MOUNTING	1	
34	338386	LATCHING PLATE	1	
35	338408	PCB ASS'Y (USB)	1	
36	338403	PCB PLATE	1	
37	339113	TAPPING SCREW D1.7 X 10 (10 PCS.)	4	
38	338391	PCB ASS'Y (AUX)	1	
39	338371	CABLE HOLDER (APPLE)	1	
40	338376	PCB ASS'Y (A)	1	
41	338402	SPEAKER RESISTANCE STRIP	2	
42	338395	SPEAKER (DSDL)	2	
43	339115	WATER RESISTANCE STRIP E	2	
44	338401	TAPPING SCREW D2 X 8	2	
45	338377	SIDE PLATE	2	
46	338370	SPEAKER GRILL SET	2	
47	949553	NUT M3 (10 PCS.)	8	
48	949811	HEX. SOCKET HD. BOLT M4 X 8 (10 PCS.)	6	
49	338367	FRONT COVER SET	1	
50		BLUETOOTH LABEL	1	

