

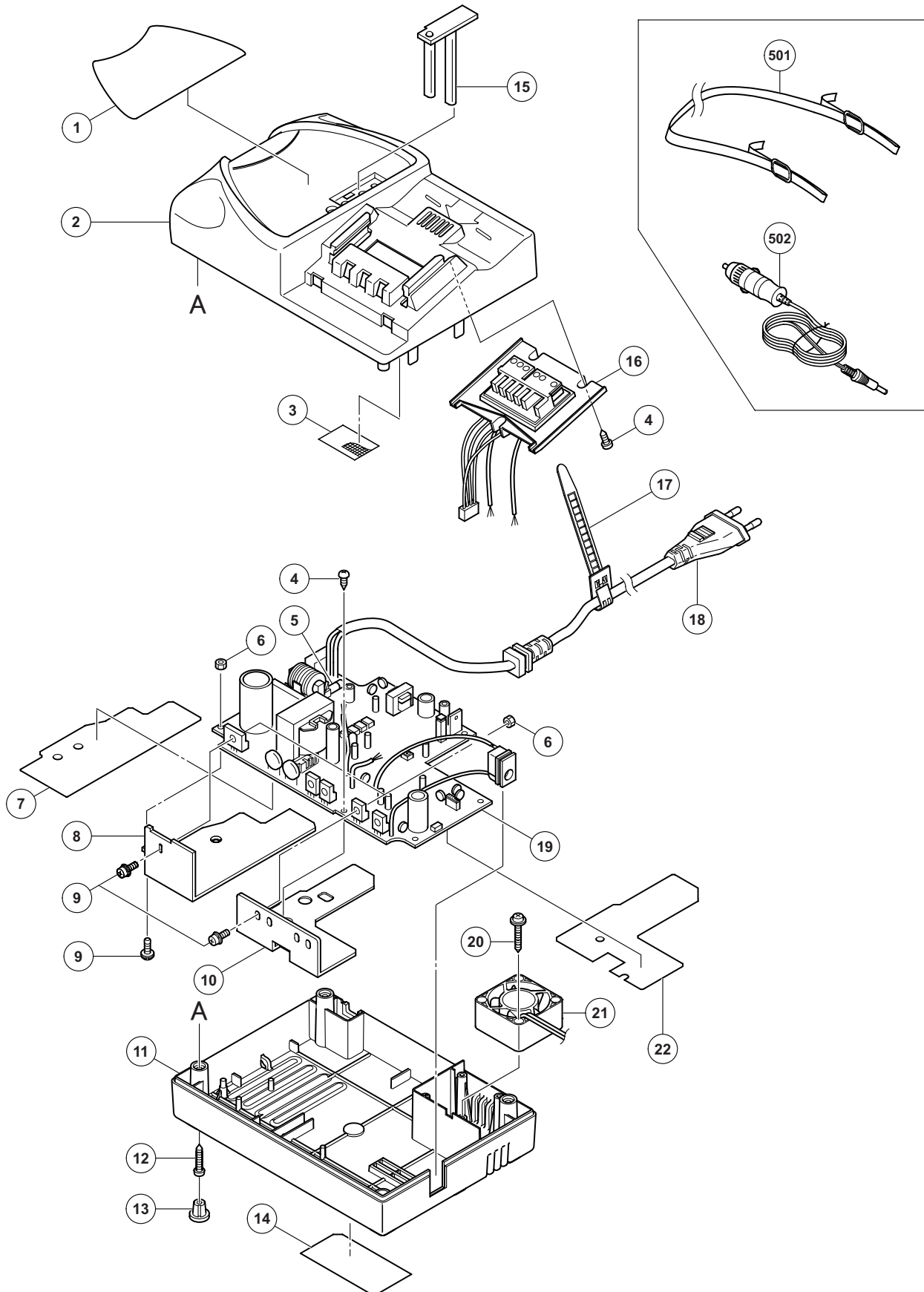
## ELECTRIC TOOL PARTS LIST

### CHARGER

2010·7·29

Model UC 18YML2

(E1)



**PARTS**

UC 18YML2

ITEM NO.	CODE NO.	DESCRIPTION	NO. USED	REMARKS	
1	332-978	CAUTION PLATE	1		
2	329-040	CASE (A)	1		
3	328-531	FILTER	1		
4	327-174	TP TAPPING SCREW D3 X 8	4		
5	324-736	FUSE (250V-3.15A)	1		
6	949-553	NUT M3 (10 PCS.)	6		
7	329-045	INSULATOR (A)	1		
8	329-043	FIN (A)	1		
9	993-963	MACHINE SCREW (W/WASHERS) M3 X 12	6		
10	333-238	FIN (B)	1		
11	330-131	CASE (B)	1		
12	326-358	TAPPING SCREW (W/FLANGE) D3 X 18	4		
13	327-173	CASE RUBBER	4		
14		NAME PLATE	1		
15	328-528	PRISM	1		
16	328-530	TERMINAL HOLDER	1		
17		BINDING BAND	1		
* 18	328-634	CORD	1		
* 18	328-636	CORD	1	FOR GBR	
19	332-977	PRINTED CIRCUIT BOARD ASS'Y	1	INCLUD. 5	
20	327-175	TAPPING SCREW (W/FLANGE) D3 X 25	2		
21	326-809	FAN	1		
22	333-239	INSULATOR (B)	1		

**STANDARD ACCESSORIES**

ITEM NO.	CODE NO.	DESCRIPTION	NO. USED	REMARKS	
501	328-527	STRAP	1		
502	330-168	DC-CORD	1		