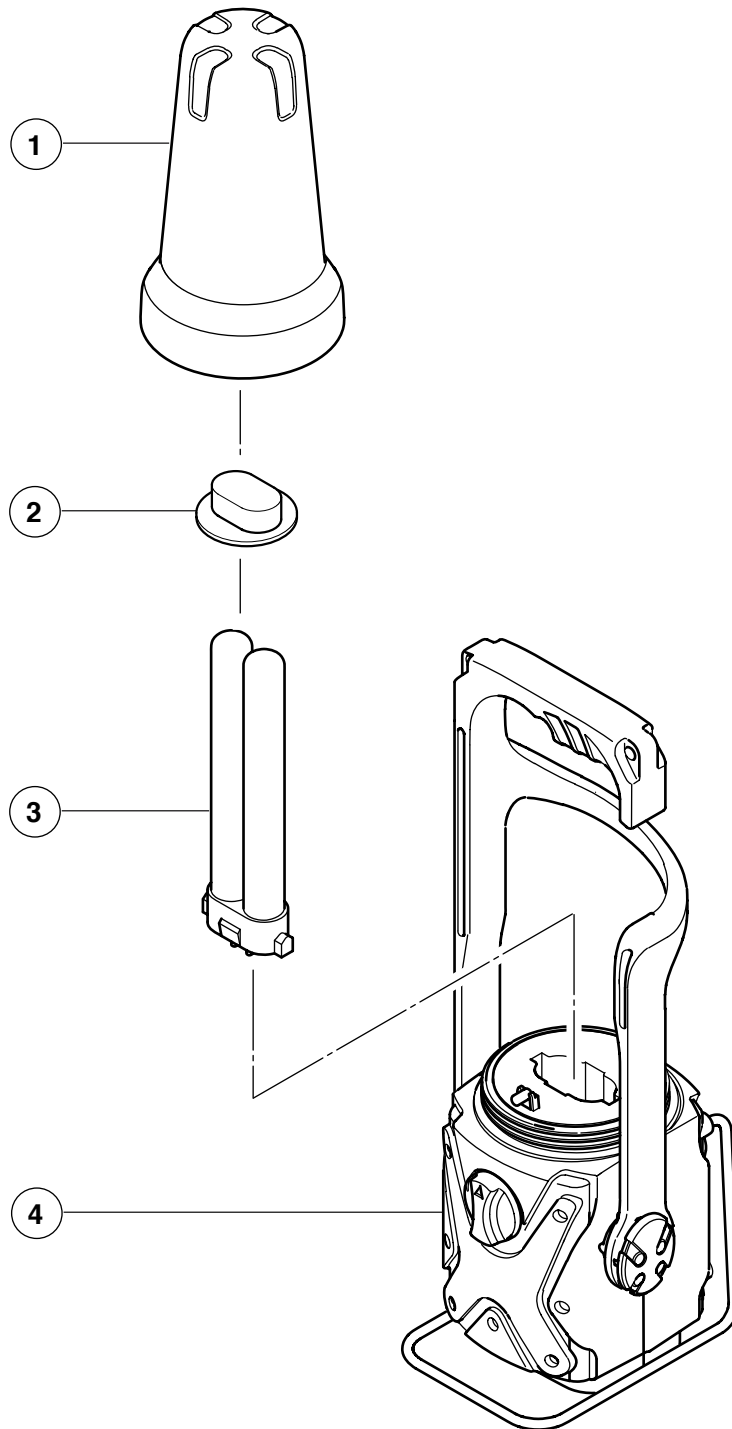


ELECTRIC TOOL PARTS LIST

■ CORDLESS LANTERN
Model UB 12DL

2004 · 7 · 10
(E1)



PARTS

UB 12DL

ITEM NO.	CODE NO.	DESCRIPTION	NO. USED	REMARKS
1	323-340	LAMP COVER	1	
2	323-341	LAMP CAP	1	
3	323-339	LAMP (100V 9W)	1	
4		MAIN BODY	1	