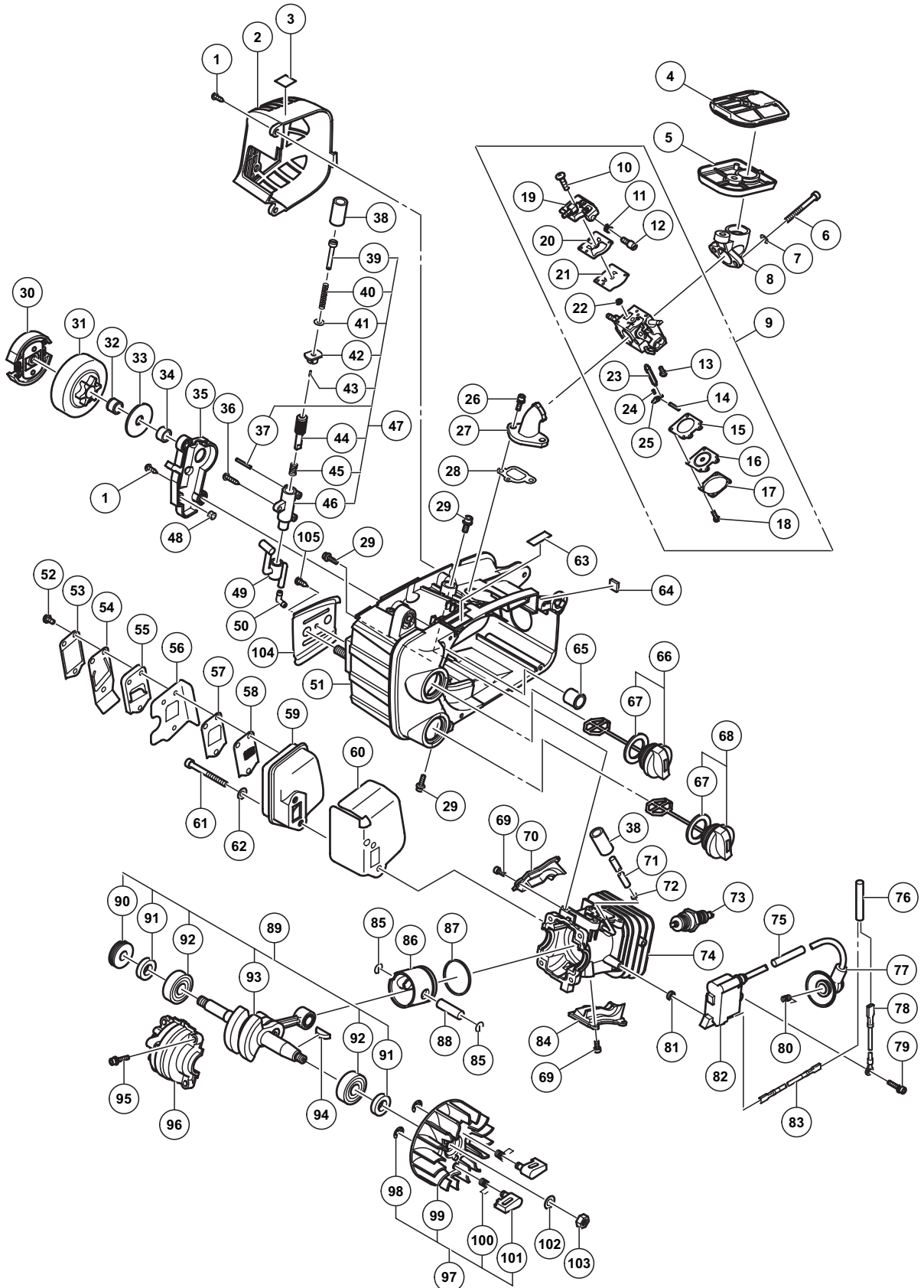
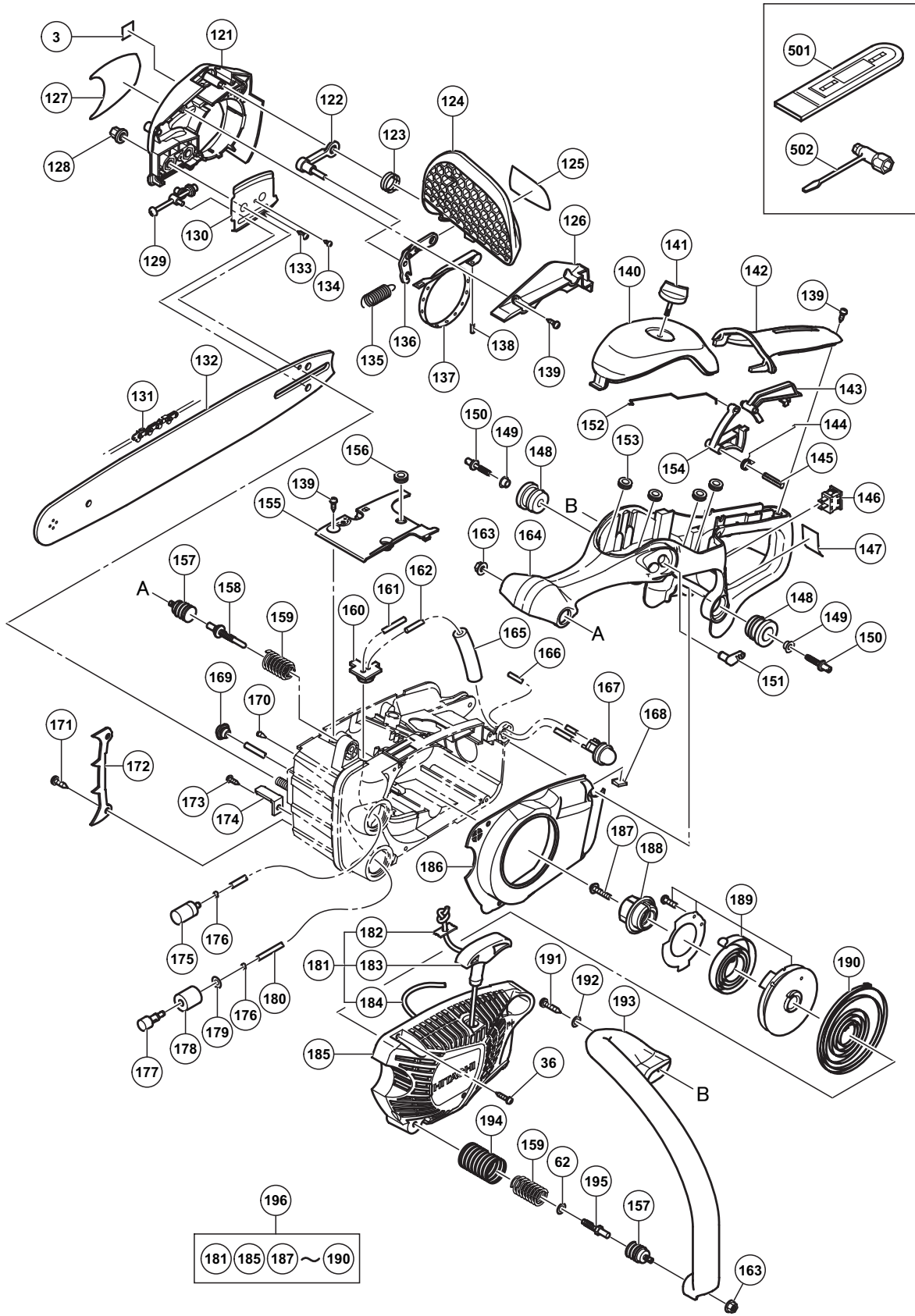


ENGINE TOOL PARTS LIST

ENGINE CHAIN SAW Model TCS 33ED

2014-3-17
(E1)





PARTS

TCS 33ED

ITEM NO.	CODE NO.	DESCRIPTION	NO. USED	REMARKS
1	305812	TAPPING SCREW (W/FLANGE) D4 X 16 (BLACK)	4	
2	6696821	MUFFLER COVER	1	
3	6698864	CAUTION LABEL (HOT)	2	
4	6699969	CLEANER ELEMENT (B)	1	
5	6699968	CLEANER ELEMENT (A)	1	
6	949824	HEX. SOCKET HD. BOLT M5 X 45 (10 PCS.)	2	
7	6685408	WASHER 5	2	
8	6699966	CLEANER SUPPORT	1	
9	6699976	CARBURETOR ASS'Y	1	INCLUD.10-25
10	6685210	SCREW	1	
11	6685297	IDLE ADJUST SPRING	1	
12	6685298	IDLE ADJUST SCREW	1	
13	6685218	HINGE PIN SET SCREW	1	
14	6685219	HINGE PIN	1	
15	6685220	DIAPHRAGM PACKING-METERING	1	
16	6684690	METERING DIAPHRAGM	1	
17	6685222	DIAPHRAGM COVER-METERING	1	
18	6685223	SET SCREW	4	
19	6600091	PUMP COVER	1	
20	6685212	PUMP GASKET	1	
21	6685213	PUMP DIAPHRAGM	1	
22	6684700	INLET SCREEN	1	
23	6685215	NEEDLE VALVE	1	
24	6685216	VALVE SPRING	1	
25	6685217	CONTROL LEVER	1	
26	6698792	HEX. SOCKET BOLT M4	2	
27	6699951	INTAKE	1	
28	6699952	INTAKE PACKING	1	
29	6699044	SEAL LOCK HEX. SOCKET BOLT (W/WASHERS) M5	5	
30	6600316	CLUTCH	1	
31	6685144	CLUTCH HOUSING COMP.	1	
32	6685361	NEEDLE BEARING (D)	1	
33	6685414	CLUTCH WASHER	1	
34	6685360	CRANK SHAFT COLLAR	1	
35	6699610	OIL POMP COVER	1	
36	302086	TAPPING SCREW (W/FLANGE) D4 X 20 (BLACK)	5	
37	6685356	NEEDLE ROLLER 2.5 X 19.8	2	
38	6696793	IDOL SPONGE	2	
39	6699960	OIL PUMP ADJUSTER (ED)	1	
40	6699961	ADJUSTER SPRING	1	
41	323210	BOLT WASHER M4 (BLACK)	1	
42	6699959	ADJUSTER CAP	1	
43	6600046	NEEDLE ROLLER	1	
44	6699957	PUMP GEAR (ED)	1	
45	6699958	PUMP GEAR SPRING (ED)	1	
46	6699119	PUMP CASE	1	
47	6600085	PUMP ASS'Y	1	INCLUD.37,39-46
48	6685371	AIR VENT SPONGE	1	
49	6696811	OIL PIPE	1	
50	6685358	PIPE JOINT	1	

PARTS

TCS 33ED

ITEM NO.	CODE NO.	DESCRIPTION	NO. USED	REMARKS
51	6600084	ENGINE CASE ASS'Y	1	INCLUD.64,65,170
52	6600048	SCREW (W/WASHERS) M4 (BLACK)	3	
53	6698861	PACKING PLATE	1	
54	6698862	MUFFLER SPECIAL PACKING (S)	1	
55	6696816	EXHAUST PIPE	1	
56	6696818	MUFFLER SPECIAL PACKING	1	
57	6696817	GAUZE FIXING PLATE	1	
58	6696815	MUFFLER GAUZE	1	
59	6600050	MUFFLER	1	
60	6696820	MUFFLER PACKING	1	
61	6696819	HEX. SOCKET HD. BOLT M6 X 55	2	
62	949432	BOLT WASHER M6 (10 PCS.)	3	
* 63	6698922	TANK MARK LABEL (25:1)	1	
* 63	6698921	TANK MARK LABEL (50:1)	1	FOR AUS,NZL
64	6600047	PROTECTION SHEET	1	
65	6685351	INNER CAP	1	
66	6698854	FUEL TANK CAP ASS'Y (VERMILION)	1	INCLUD.67
67	6685179	TANK CAP PACKING	2	
68	6698358	FUEL TANK CAP ASS'Y (BLACK)	1	INCLUD.67
69	949812	HEX. SOCKET HD. BOLT M4 X 10 (10 PCS.)	6	
70	6696766	SCAVENGING COVER (B)	1	
71	6698907	FUEL PIPE (FKM)	1	
72	6685311	CLIP	1	
73	6699320	SPARK PLUG ASS'Y BPMR7A	1	
74	6600083	CYLINDER	1	
75	6600051	CORD INSULATION TUBE L100	1	
76	6699175	CORD INSULATION TUBE L60	1	
77	6696771	SPARK PLUG CAP	1	
78	6600052	CORD	1	
79	6696326	HEX. SOCKET HD. BOLT (W/FLANGE) M4 X 18	2	
80	6696772	METAL FITTING OF PLUG CAP (A)	1	
81	6698700	GLASS WASHER	2	
82	6699977	IGNITION COIL	1	
83	6699948	CORD (A)	1	
84	6696765	SCAVENGING COVER (A)	1	
85	6685326	CIRCLIP	2	
86	6698806	PISTON (M)	1	
87	6685331	PISTON RING (XR1-1856)	1	
88	6696764	PISTON PIN	1	
89	6698853	CRANK WORM ASS'Y	1	INCLUD.90-93
90	6685330	WORM	1	
91	6685329	OIL SEAL	2	
92	6685328	BALL BEARING	2	
93	6696762	CRANK SHAFT	1	
94	6684899	WOODRUFF KEY 3 X 13 X 4.5	1	
95	6698386	HEX. SOCKET HD. BOLT (W/SP.WASHER) M5 X 18	4	
96	6696767	CRANK CASE	1	
97	6600090	MAGNETO SUB ASS'Y	1	INCLUD.98-101
98	6685336	RETAINING RING D4	2	
99	6600053	MAGNETO ROTOR COMP.	1	

PARTS

TCS 33ED

ITEM NO.	CODE NO.	DESCRIPTION	NO. USED	REMARKS
100	6685335	STARTER PAWL SPRING	2	
101	6685334	STARTER PAWL	2	
102	6696880	BOLT WASHER D7	1	
103	6696879	FLYWHEEL NUT M7	1	
104	6697599	GUIDE PLATE A	1	
105	958715	TAPPING SCREW D4 X 10	1	
121	6600086	SIDE CASE	1	
122	6696782	BRAKE SUPPORT PLATE	1	
123	6696783	BRAKE LEVER SPRING	1	
124	6699972	BRAKE HANDLE	1	
*	125	6600080 CAUTION LABEL	1	FOR ASIA
	126	6696779 BRAKE LINK COVER	1	
	127	6600076 NAME PLATE (ENG.A) TCS33ED	1	
	128	6685416 CHAIN BAR CLAMP NUT	2	
	129	6698986 CHAIN PULLER	1	
	130	6696784 GUIDE PLATE (B)	1	
*	131	6697854 SAW CHAIN (3/8 X 14') 91PX-52XJ	1	
*	131	6697889 SAW CHAIN (3/8 X 16') 91PX-57XJ	1	
*	132	6696994 CHAIN BAR 14 INCH 3/8 SPROCKET PRC	1	
*	132	6696995 CHAIN BAR 16 INCH 3/8 SPROCKET PRC	1	
	133	958715 TAPPING SCREW D4 X 10	1	
	134	696352 TAPPING SCREW D3	1	
	135	6600054 BRAKE SPRING	1	
	136	6685388 BRAKE LINK	1	
	137	6685140 BRAKE BAND	1	
	138	6685391 NEEDLE ROLLER D3	1	
	139	305812 TAPPING SCREW (W/FLANGE) D4 X 16 (BLACK)	6	
	140	6699970 CLEANER COVER	1	
	141	6699971 CLEANER KNOB	1	
	142	6699965 REAR HANDLE GRIP	1	
	143	6685350 TRIGGER LOCKOUT (VERMILION)	1	
	144	6696838 THROTTLE LEVER SPRING	1	
	145	6685282 SPRING PIN 5 X 25	1	
	146	6696940 STOP SWITCH	1	
	147	6600082 START LABEL (CS33ED) EX	1	
	148	6696327 DAMPER (A)	2	
	149	696314 DISTANCE PIECE (B)	2	
	150	6685413 DAMPER SET BOLT	2	
	151	6685206 CHOKE LEVER	1	
	152	6699964 THROTTLE ROD (ED)	1	
	153	6698787 GROMMET	4	
	154	6698916 THROTTLE LEVER (VERMILION)	1	
	155	6699974 ENGINE CASE COVER	1	
	156	6698787 GROMMET	1	
	157	6698409 SPRING HOLDER	2	
	158	6699962 DAMPER SET BOLT (A)	1	
	159	6698428 ANTIVIBRATION SPRING	2	
	160	6696167 FUEL GROMMET	1	
	161	6699975 FUEL PIPE	1	
	162	6600055 FUEL PIPE L220	1	

PARTS

TCS 33ED

ITEM NO.	CODE NO.	DESCRIPTION	NO. USED	REMARKS	
163	329934	FLANGE NUT M6	2		
164	6699963	REAR HANDLE	1		
165	6600056	IDLE SPONGE	1		
166	6685267	FUEL PIPE 2.5 X 4 X 90	1		
167	6685139	PRIMING PUMP COMP.	1		
168	6600047	PROTECTION SHEET	1		
169	6685308	FUEL GROMMET (A)	1		
170	6685370	AIR VENT VALVE (B)	1		
171	6698456	FLANGED TAPPING SCREW D5 X 15	2		
172	6699973	SPIKE	1		
173	6698456	FLANGED TAPPING SCREW D5 X 15	1		
174	6699950	CHAIN CATCHER	1		
175	6685199	PUMP FILTER BODY	1		
176	6685311	CLIP	2		
177	6685310	OIL FILTER BODY	1		
178	6696804	OIL FILTER	1		
179	6685407	BOLT WASHER D5	1		
180	6698715	FUEL PIPE	1		
181	6600061	STARTER HANDLE ASS'Y	1	INCLUD.182-184	
182	6699465	ROPE STOPPER	1		
183	6699467	STARTER KNOB	1		
184	6600060	STARTER ROPE (NS)	1		
185	6600068	FAN CASE (NS)	1		
186	6600089	AIR DEFLECTOR ASS'Y	1	INCLUD.168	
187	6600062	SET SCREW (NS)	1		
188	6600064	CAM PLATE (NS)	1		
189	6600065	REEL (NS)	1		
190	6600063	SPIRAL SPRING (NS)	1		
191	305558	TAPPING SCREW (W/FLANGE) D5 X 25 (BLACK)	2		
192	6685408	WASHER 5	2		
193	6699967	FRONT HANDLE	1		
194	6698865	SPRING COVER	1		
195	6698859	DAMPER SET BOLT	1		
196	6699955	RECOIL STARTER ASS'Y (NS)	1	INCLUD.181,185,187-190	

