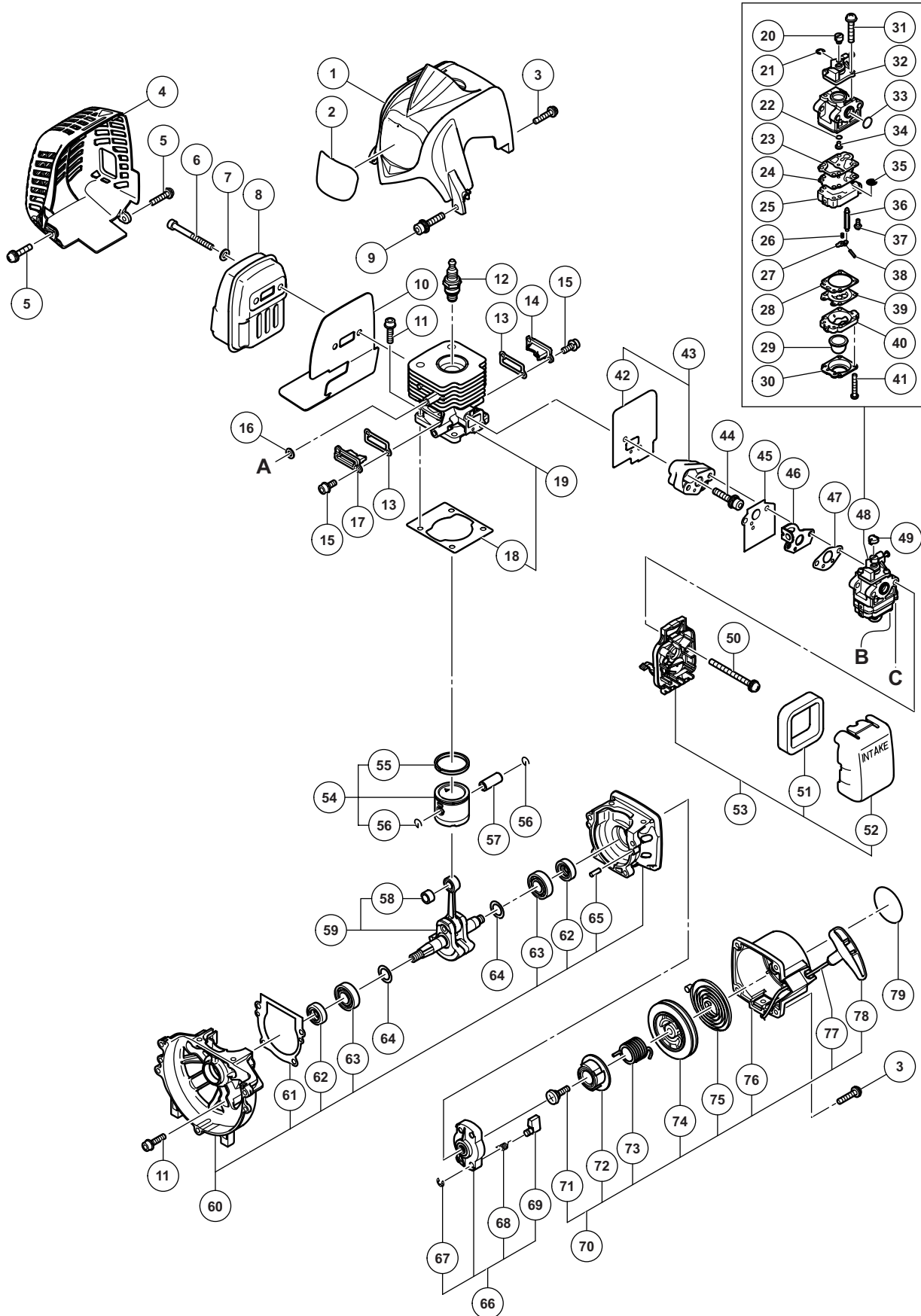
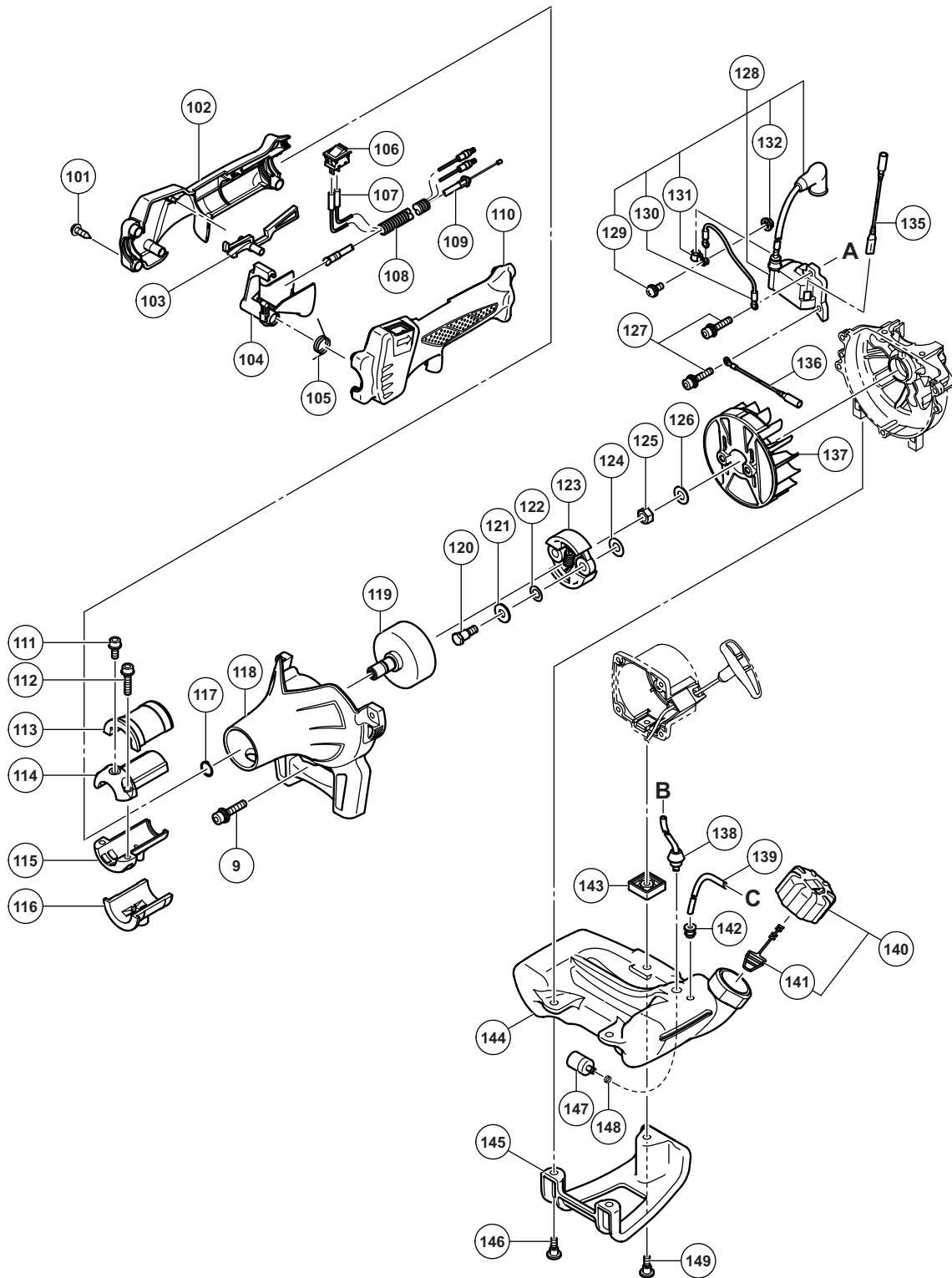


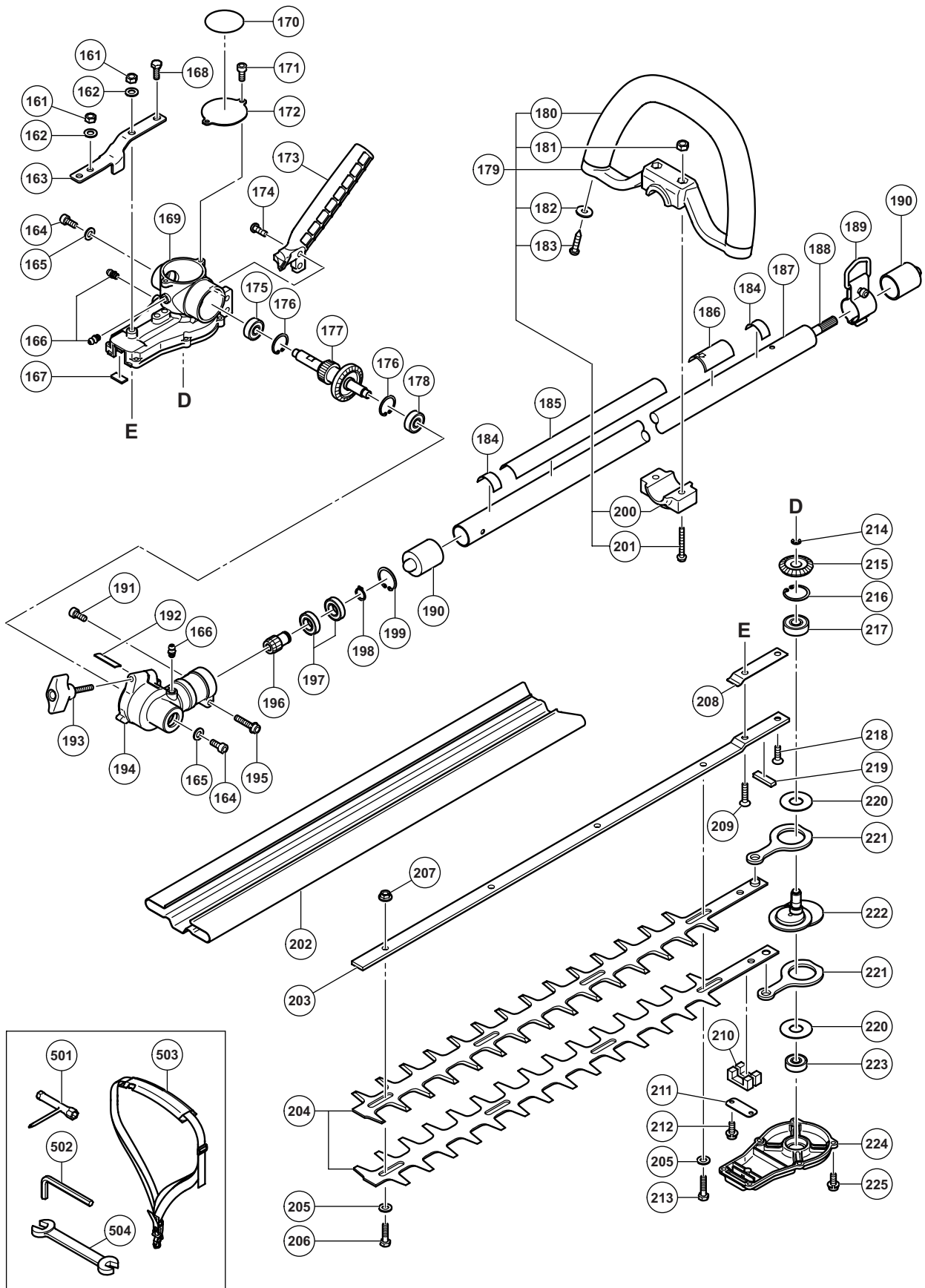
ENGINE TOOL PARTS LIST

ENGINE POLE HEDGE TRIMMER
Model TCH 27EPA (TANAKA BRAND)

2012·8·8
(E1)







PARTS

TCH 27EPA

ITEM NO.	CODE NO.	DESCRIPTION	NO. USED	REMARKS
1	669-8481	CYLINDER COVER	1	
2		TANAKA LABEL	1	
3	669-5376	SCREW 4 X 22/PS	4	
4	669-8493	MUFFLER COVER	1	
5	669-5386	SCREW 5 X 16/PS	2	
6	668-4638	HEX. HOLE BOLT M6 X 55	2	
7	668-4639	BOLT WASHER 6	2	
8	669-8477	MUFFLER	1	
9	669-8950	SEAL LOCK HEX. SOCKET HD. BOLT M5 X 30	3	
10	669-8491	HEAT PROTECTION PANEL	1	
11	669-5491	HEX. HOLE BOLT 5 X 20S	8	
* 12	668-4584	SPARK PLUG BMR7A	1	
* 12	668-5052	SPARK PLUG CJ6	1	
13	669-7684	COVER PACKING	2	
14	669-8484	SCAVENGING COVER (A)	1	
15	669-5507	HEX. HOLE BOLT 4 X 12WS	4	
16	668-4600	WASHER T1.6	2	
17	669-8485	SCAVENGING COVER (B)	1	
18	669-7681	CYLINDER GASKET	1	
19	669-7679	CYLINDER SET PN	1	INCLUD. 18
20	668-4697	SWIVEL	1	
21	668-4696	STOP RING	1	
22	668-4695	O-RING	1	
23	668-4692	PUMP GASKET	1	
24	668-4693	PUMP DIAPHRAGM	1	
25		PUMP BODY	1	
26	669-6323	METERING LEVER SPRING	1	
27	668-5217	CONTROL LEVER	1	
28	668-4691	DIAPHRAGM GASKET	1	
29	668-4689	PRIMING BODY	1	
30	668-4688	DIAPHRAGM COVER	1	
31	668-4698	THROTTLE SET SCREW	2	
32	668-4883	THROTTLE VALVE	1	
33	669-5670	O-RING P-15	1	
34		MAIN JET #32	1	
35	668-4700	INLET SCREEN	1	
36	668-5215	NEEDLE VALVE	1	
37	669-1305	HINGE PIN SET SCREW	1	
38	668-5219	HINGE PIN	1	
39	668-4690	METERING DIAPHRAGM	1	
40	668-4687	PRIMING PUMP COMP.	1	
41	668-4699	SET SCREW	4	
42	669-7691	INTAKE PACKING	1	
43	669-8954	CARBURETOR INSULATOR SET PN	1	INCLUD. 42
44	669-8844	SEAL LOCK HEX. SOCKET BOLT (W/WASHERS) M5	5	
45	668-4616	CARBURETOR PACKING	1	
46	668-4629	THROTTLE WIRE FIXING PLATE	1	
47	668-4615	CARBURETOR GASKET	1	
48	669-8960	CARBURETOR ASS'Y	1	INCLUD. 20-41
49	668-4628	SWIVEL CAP	1	

PARTS

TCH 27EPA

ITEM NO.	CODE NO.	DESCRIPTION	NO. USED	REMARKS
50	669-5431	PLUS SCREW 5 X 60WS	2	
51	669-0347	CLEANER ELEMENT	1	
52	669-0139	AIR CLEANER CAP	1	
53	669-8961	AIR FILTER ASS'Y	1	INCLUD. 51, 52
54	669-7683	PISTON SET PN	1	INCLUD. 55, 56
55	668-6121	PISTON RING	1	
56	668-4590	CIR CLIP	2	
57	668-4591	PISTON PIN	1	
58	669-5590	NEEDLE BEARING HK0810B	1	
59	669-8962	CRANK SHAFT ASS'Y	1	INCLUD. 58
60	669-7687	CRANK CASE ASS'Y	1	INCLUD. 61-63, 65
61	669-7688	CRANK CASE PACKING	1	
62	668-4607	OIL SEAL TB 12227	2	
63	668-4608	BALL BEARING 6001 C3	2	
64	669-7685	CRANK SHAFT WASHER	2	
65	669-5521	KNOCK PIN 4 X 12	2	
66	668-4681	STARTER PULLEY ASS'Y	1	INCLUD. 67-69
67	668-4683	STOP RING E-5	2	
68	668-4684	STARTER PAWL SPRING	2	
69	668-4685	STARTER PAWL	2	
70	668-4672	RECOIL STARTER BODY ASS'Y	1	INCLUD. 71-78
71	668-4679	SET SCREW	1	
72	668-4678	CAM PLATE	1	
73	668-4677	DUMPER SPRING	1	
74	668-4676	STARTER ROPE REEL	1	
75	669-7591	RECOIL SPRING	1	
76	668-4673	RECOIL STARTER BODY COMP.	1	
77	668-4674	STARTER ROPE 3.5 X 860	1	
78	668-4680	STARTER HANDLE	1	
79		NAME PLATE	1	
101	669-7190	TAPPING SCREW D4	4	
102	669-6487	HANDLE (B)	1	
103	669-6490	LOCK LEVER	1	
104	669-6488	LEVER	1	
105	669-8819	SPRING (A)	1	
106	668-5239	STOP SWITCH	1	
107	669-8820	STOP SWITCH CORD	2	
108	669-8822	PROTECTION TUBE	1	
109	669-8821	THROTTLE WIRE	1	
110	669-6486	HANDLE (A)	1	
111	668-4667	HEX. HOLE BOLT M5 X 12/S	1	
112	668-4709	HEX. HOLE BOLT M5 X 25/S	2	
113	668-4666	ANTI-VIBE RUBBER (A)	1	
114	669-8643	PIPE HOLDER (A)	1	
115	669-8644	PIPE HOLDER (B)	1	
116	668-4665	ANTI-VIBE RUBBER (B)	1	
117	668-4664	STOP RING C-12 OUTER	1	
118	669-8486	FAN CASE	1	
119	668-4663	CLUTCH DRUM COMP.	1	
120	668-9627	STEP BOLT	2	

PARTS

TCH 27EPA

ITEM NO.	CODE NO.	DESCRIPTION	NO USED	REMARKS
121	668-4648	BENT WASHER 8	2	
122	668-9528	CLUTCH PLATE (A)	2	
123	669-7655	CLUTCH SET	1	
124	669-7619	CLUTCH WASHER B	2	
125	668-4612	HEX. NUT M8	1	
126	668-4611	BOLT WASHER M8	1	
127	669-5508	HEX. HOLE BOLT 4 X 18WS	2	
* 128		IGNITION COIL SET	1	
* 128		IGNITION COIL ASS'Y	1	INCLUD. 129-132 FOR AUS, NZL
* 129		SCREW M4	1	FOR AUS, NZL
* 130		EARTH CORD	1	FOR AUS, NZL
* 131		CLIP	1	FOR AUS, NZL
* 132		FLANGE NUT M4	1	FOR AUS, NZL
135	669-8992	CORD	1	
* 136	669-7690	CORD	1	FOR ASIA
137	669-8396	MAGNETO ROTOR COMP.	1	
138	668-4618	SHIELD TUBE 3 X 5 X 180	1	
139	668-4880	FUEL PIPE 3 X 5 X 85	1	
140	668-4622	TANK CAP ASS'Y	1	INCLUD. 141
141	668-4625	TANK CAP CHAIN	1	
142	668-4627	RETURN GROMMET	1	
143	669-8496	SPACER	1	
144	669-8475	TANK	1	
145	669-4787	STAND	1	
146	669-6557	FLANGE BOLT	2	
147	668-4620	PUMP FILTER BODY COMP.	1	
148	668-4619	CLIP, 6.3 DIA.	1	
149		FLANGE BOLT	1	
161	669-5175	LOCK NUT 6 UPS-P	2	
162	668-4639	BOLT WASHER 6	2	
163	669-0744	SUPPORT PLATE	1	
164	669-5078	HEX. HOLE BOLT 6 X 12	2	
165	668-4822	SPECIAL WASHER B	2	
166	668-8643	GREASE NIPPLE COMP.	3	
167	668-6659	GREASE STOP (B)	1	
168	669-5016	PLUS BOLT 6 X 14	1	
169	668-8834	GEAR CASE (B)	1	
170	669-4538	CAUTION MARK A	1	
171	669-5035	HEX. HOLE BOLT 4 X 8	2	
172	668-9167	GEAR CASE COVER (A)	1	
173	668-8089	HANDLE	1	
174	669-5079	HEX. HOLE BUTTON SCREW 6 X 15	2	
175	608-DDM	BALL BEARING 608DDC2PS2L	1	
176	669-5293	RETAINING RING C-TYPE D22	2	
177	669-8957	GEAR SHAFT	1	
178	333-945	BALL BEARING 608VV	1	
179	669-6088	LOOP HANDLE ASS'Y ANTI-VIB.	1	INCLUD. 180-183, 200, 201
180	669-1098	HANDLE GRIP	1	
181	668-4835	HEX. NUT 6	2	
182	668-9681	BRAKE SHAFT WASHER	1	

PARTS

ITEM NO.	CODE NO.	DESCRIPTION	NO USED	REMARKS
183	669-5255	TAPPING SCREW 5 X 20	1	
184	668-4851	LEVEL MARK	2	
185		CAUTION PLATE TANAKA	1	
186	668-4852	LEVEL MARK	1	
187	669-8963	MAIN PIPE 1450L	1	
188	668-9470	DRIVE SHAFT, 1483L	1	
189	668-9277	HANGER D24	1	
190	669-8515	CAP (A)	2	
191	669-5042	HEX. HOLE BOLT 5 X 10	1	
192	668-6669	GREASE STOP (D)	2	
193	669-1200	HANDLE KNOB A COMP.	1	
194	668-8653	GEAR CASE A, 24 DIA.	1	
195	668-4709	HEX. HOLE BOLT M5 X 25/S	1	
196	669-8958	PINION	1	
197	669-8971	BALL BEARING 6901ZZC3	2	
198	669-5302	STOP RING S-12, OUTER	1	
199	668-4732	STOP RING C-24, INNER	1	
200	669-1134	HANDLE BRACKET A	1	
201	668-4838	BOLT 6 X 43/P (BLACK)	2	
202	668-7301	CUTTER COVER	1	
203	668-7125	CUTTER GUIDE 625.5 MM	1	
204	668-7079	CUTTER	2	
205	668-7187	WASHER 7 BLACK	4	
206	668-7162	CUTTER FIXING BOLT B	3	
207	669-5170	FLANGE NUT 6	3	
208	668-8633	SPACER	1	
209	669-5075	HEX. HOLE FLUSH BOLT 6 X 25	1	
210	668-6647	GREASE STOP (A)	2	
211	668-6826	CAM ROD PLATE	1	
212	669-5484	HEX. HOLE BOLT 4 X 10S	2	
213	668-7158	FIXING BOLT A M6	1	
214	669-5310	RETAINING RING E-TYPE D6	1	
215	669-8959	GEAR	1	
216	669-5294	RETAINING RING C-TYPE D26	1	
217	669-5529	BALL BEARING #6000 2RS C3	1	
218	669-5073	HEX. HOLE FLUSH SCREW 6 X 16	1	
219	668-6666	GREASE STOP (C)	1	
220	668-6611	CAM-ROD GUIDE PLATE	2	
221	668-6809	CAM ROD	2	
222	668-6790	CAM SHAFT COMP.	1	
223	669-8772	BALL BEARING 608ZZC3	1	
224	668-9172	GEAR CASE COVER B	1	
225	668-4595	HEX. SOCKET HD. BOLT (W/SP. WASHER) M4 X 12	6	

STANDARD ACCESSORIES

TCH 27EPA

ITEM NO.	CODE NO.	DESCRIPTION	NO. USED	REMARKS
501	668-5997	COMBI. BOX SPANNER 10 X 19, PLUS	1	
502	668-4813	HEX. BAR WRENCH 4 MM	1	
503	669-2867	SHOULDER BELT	1	
504	668-4766	WRENCH 8 X 10	1	

OPTIONAL ACCESSORIES

ITEM NO.	CODE NO.	DESCRIPTION	NO. USED	REMARKS
601		EXT-200	1	
602		EXT-300	1	