

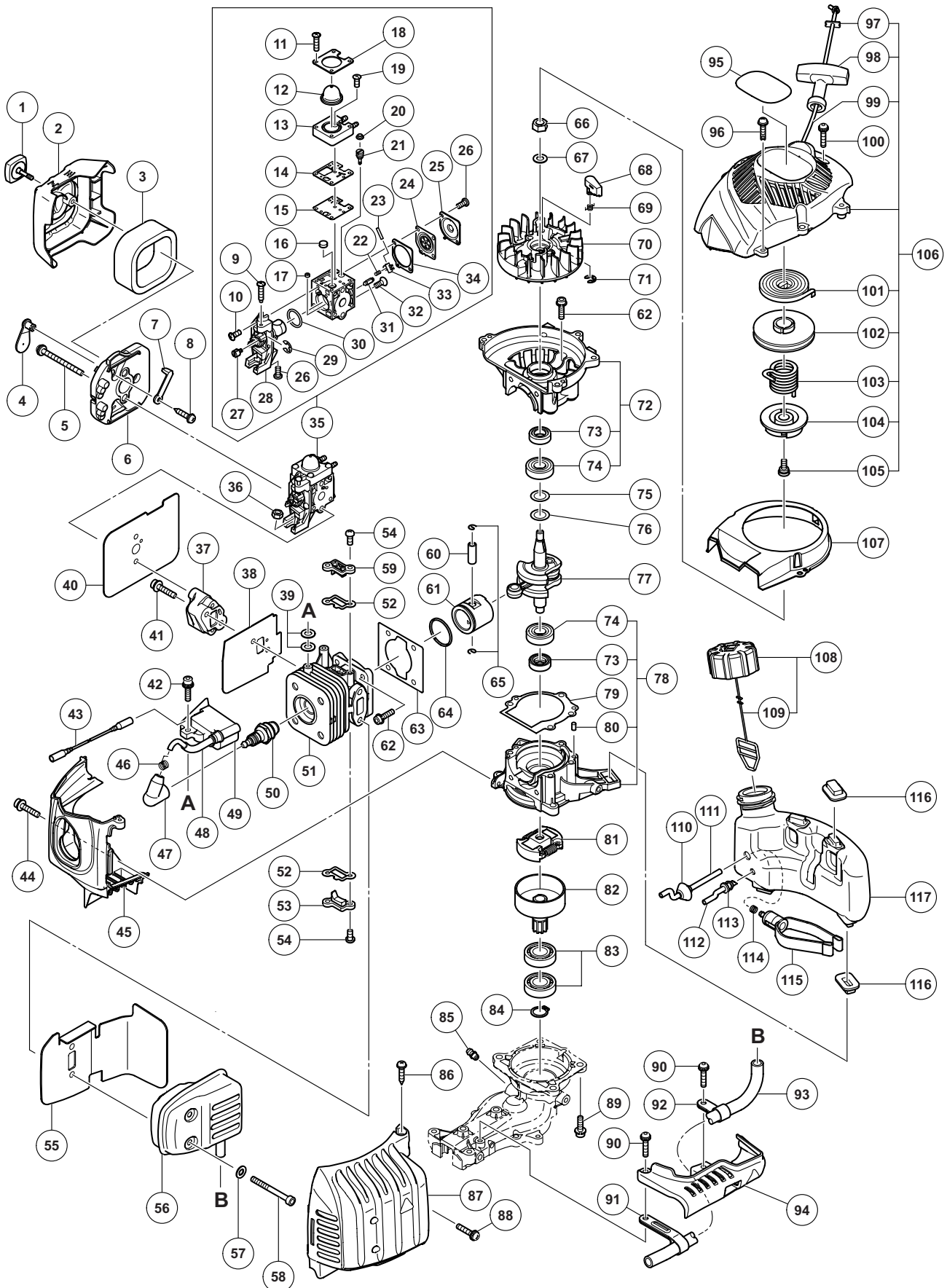
## ENGINE TOOL PARTS LIST

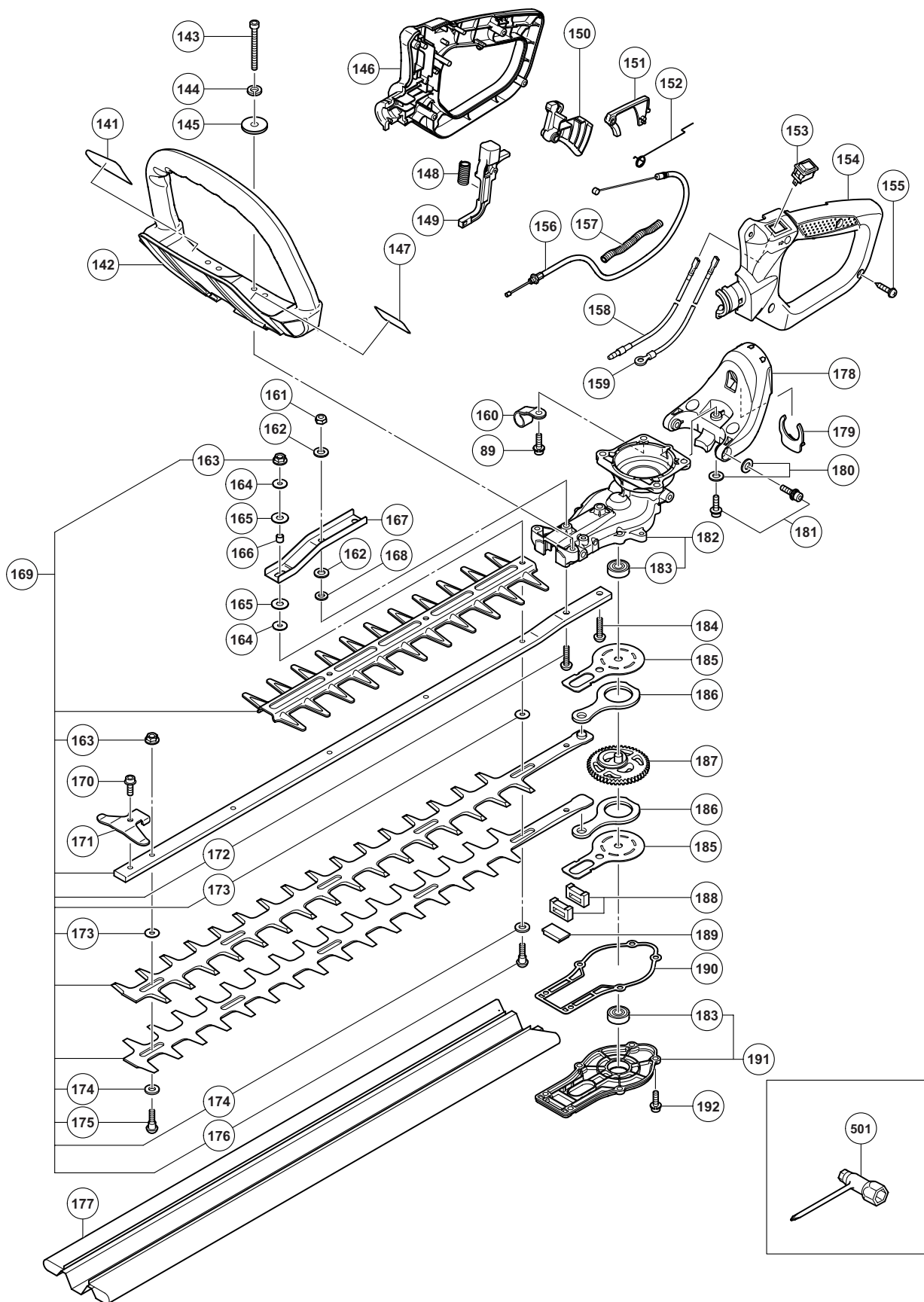
### ENGINE HEDGE TRIMMER

2013-3-18

Model TCH 22EB2 (TANAKA BRAND)

(E1)





**PARTS**

TCH 22EB2

| ITEM NO. | CODE NO. | DESCRIPTION                               | NO. USED | REMARKS      |
|----------|----------|---|----------|--------------|
| 1        | 669-8730 | COVER FIXING BOLT COMP.                   | 1        |              |
| 2        | 669-8609 | CLEANER COVER                             | 1        |              |
| 3        | 669-0365 | CLEANER SPONGE                            | 1        |              |
| 4        | 669-8608 | CHOKE VALVE                               | 1        |              |
| 5        | 307-224  | MACHINE SCREW (W/WASHERS) M5 X 60 (BLACK) | 2        |              |
| 6        | 669-8606 | CLEANER BODY                              | 1        |              |
| 7        | 669-8607 | CHOKE HANDLE                              | 1        |              |
| 8        | 309-470  | TAPPING SCREW (W/FLANGE) D4 X 12 (BLACK)  | 1        |              |
| 9        | 669-9087 | THROTTLE ADJUST SCREW (TAS)               | 1        |              |
| 10       | 669-9088 | SET SCREW (B)                             | 3        |              |
| 11       | 669-9100 | SET SCREW (D)                             | 4        |              |
| 12       | 669-9098 | SYRINGE                                   | 1        |              |
| 13       | 669-9097 | PRIMER BASE                               | 1        |              |
| 14       | 669-9096 | PUMP GASKET                               | 1        |              |
| 15       | 669-9095 | PUMP DIAPHRAGM                            | 1        |              |
| 16       | 669-9080 | STRAINER                                  | 1        |              |
| 17       | 669-9103 | GUIDE PIN ROLLER                          | 1        |              |
| 18       | 669-9099 | SYRINGE RETAINER                          | 1        |              |
| 19       | 669-9101 | SET SCREW (E)                             | 1        |              |
| 20       | 669-9104 | BALL PLUG RETAINER                        | 1        |              |
| 21       | 669-9105 | ADJUSTING SCREW (MAIN MIXTURE)            | 1        |              |
| 22       | 669-9083 | METERING LEVER SPRING                     | 1        |              |
| 23       | 669-9082 | PIN                                       | 1        |              |
| 24       | 669-9091 | METERING DIAPHRAGM                        | 1        |              |
| 25       | 669-9093 | METERING COVER                            | 1        |              |
| 26       | 669-9094 | SET SCREW (C)                             | 3        |              |
| 27       | 669-9089 | POST                                      | 1        |              |
| 28       | 669-9086 | ROTOR COVER                               | 1        |              |
| 29       | 669-9090 | RETAINING RING (E-TYPE) FOR D2.5 SHAFT    | 1        |              |
| 30       | 669-9102 | O-RING                                    | 1        |              |
| 31       | 669-9081 | INLET NEEDLE VALVE                        | 1        |              |
| 32       | 669-9085 | SET SCREW (A)                             | 1        |              |
| 33       | 669-9084 | METERING LEVER                            | 1        |              |
| 34       | 669-9092 | METERING GASKET                           | 1        |              |
| 35       | 669-9078 | CARBURETOR ASS'Y                          | 1        | INCLUD. 9-34 |
| 36       | 949-567  | LOCK NUT M6 (10 PCS.)                     | 1        |              |
| 37       | 669-8387 | CARBURETOR INSULATOR                      | 1        |              |
| 38       | 669-8605 | INTAKE PACKING                            | 1        |              |
| 39       | 669-8700 | GLASS WASHER                              | 4        |              |
| 40       | 669-8816 | CARBURETOR PACKING                        | 1        |              |
| 41       | 669-8844 | SEAL LOCK HEX. SOCKET BOLT (W/WASHERS) M5 | 2        |              |
| 42       | 669-8388 | HEX. SOCKET HD. BOLT (W/WASHERS) M4 X 18  | 2        |              |
| 43       | 669-9060 | CORD                                      | 1        |              |
| 44       | 669-8879 | SEAL LOCK HEX. SOCKET HD. BOLT M4 X 12    | 1        |              |
| 45       | 669-8871 | CYLINDER COVER                            | 1        |              |
| 46       | 669-9180 | METAL OF PLUG CAP (60) (B)                | 1        |              |
| 47       | 669-8548 | PLUG CAP                                  | 1        |              |
| 48       | 669-9175 | CORD INSULATION TUBE                      | 1        |              |
| 49       | 669-8602 | IGNITION COIL                             | 1        |              |
| * 50     | 668-5052 | SPARK PLUG CJ6                            | 1        |              |

**PARTS**

TCH 22EB2

| ITEM NO. | CODE NO. | DESCRIPTION                                 | NO. USED | REMARKS            |
|----------|----------|---|----------|--------------------|
| * 50     | 668-4584 | SPARK PLUG BMR7A                            | 1        | FOR AUS, NZL       |
| 51       | 669-8597 | CYLINDER                                    | 1        |                    |
| 52       | 669-6534 | COVER PACKING                               | 2        |                    |
| 53       | 669-6535 | INTAKE COVER (A)                            | 1        |                    |
| 54       | 669-6835 | SEAL LOCK SCREW M4 X 10                     | 4        |                    |
| 55       | 669-8617 | HEAT PROTECTION PANEL                       | 1        |                    |
| 56       | 669-8734 | MUFFLER                                     | 1        |                    |
| 57       | 949-432  | BOLT WASHER M6 (10 PCS.)                    | 2        |                    |
| 58       | 669-6819 | HEX. SOCKET HD. BOLT M6 X 55                | 2        |                    |
| 59       | 669-6536 | INTAKE COVER (B)                            | 1        |                    |
| 60       | 669-6944 | PISTON PIN                                  | 1        |                    |
| 61       | 669-6531 | PISTON                                      | 1        |                    |
| 62       | 669-8386 | HEX. SOCKET HD. BOLT (W/SP. WASHER) M5 X 18 | 8        |                    |
| 63       | 669-6530 | CYLINDER PACKING                            | 1        |                    |
| 64       | 669-6532 | PISTON RING                                 | 1        |                    |
| 65       | 668-4590 | CIR CLIP                                    | 2        |                    |
| 66       | 669-6879 | FLYWHEEL NUT M7                             | 1        |                    |
| 67       | 669-6880 | BOLT WASHER D7                              | 1        |                    |
| 68       | 669-8603 | STARTER PAWL                                | 2        |                    |
| 69       | 668-5335 | STARTER PAWL SPRING                         | 2        |                    |
| 70       | 669-8601 | MAGNETO ROTOR                               | 1        |                    |
| 71       | 668-5336 | RETAINING RING D4                           | 2        |                    |
| 72       | 669-8872 | CRANK CASE (B) ASS'Y                        | 1        | INCLUD. 73, 74     |
| 73       | 668-4607 | OIL SEAL TB 12227                           | 2        |                    |
| 74       | 668-4608 | BALL BEARING 6001 C3                        | 2        |                    |
| 75       | 669-6946 | SHIM T0.2                                   | 1        |                    |
| 76       | 669-6945 | SHIM T0.3                                   | 1        |                    |
| 77       | 669-9043 | CRANK SHAFT                                 | 1        |                    |
| 78       | 669-8729 | CRANK CASE (A) ASS'Y                        | 1        | INCLUD. 73, 74, 80 |
| 79       | 669-6539 | CRANK CASE PACKING                          | 1        |                    |
| 80       | 669-6947 | KNOCK PIN 4 X 12                            | 2        |                    |
| 81       | 669-9173 | CLUTCH (B)                                  | 1        |                    |
| 82       | 669-9040 | CLUTCH DRUM                                 | 1        |                    |
| 83       | 669-8740 | BALL BEARING 6002ZC3                        | 2        |                    |
| 84       | 939-544  | RETAINING RING FOR D15 SHAFT (10 PCS.)      | 1        |                    |
| 85       | 668-8643 | GREASE NIPPLE COMP.                         | 1        |                    |
| 86       | 302-089  | TAPPING SCREW (W/FLANGE) D5 X 20 (BLACK)    | 1        |                    |
| 87       | 669-9174 | MUFFLER PROTECTOR                           | 1        |                    |
| 88       | 887-021  | SCREW (W/WASHERS) M5 X 16 (BLACK)           | 1        |                    |
| 89       | 669-5495 | HEX. HOLE BOLT 6 X 18/S                     | 4        |                    |
| 90       | 669-8988 | HEX. SOCKET HD. BOLT (W/BUTTON) M5 X 20     | 2        |                    |
| 91       | 669-9047 | FIXATION PLATE (A)                          | 1        |                    |
| 92       | 669-9048 | FIXATION PLATE (B)                          | 1        |                    |
| 93       | 669-9052 | TAIL PIPE (A)                               | 1        |                    |
| 94       | 669-9037 | EXHAUST COVER                               | 1        |                    |
| 95       |          | TANAKA LABEL                                | 1        |                    |
| 96       | 669-8878 | TAPPING SCREW D4.5 X 16                     | 1        |                    |
| 97       | 668-5189 | PLATE                                       | 1        |                    |
| 98       |          | STARTER KNOB                                | 1        |                    |
| 99       |          | STARTER ROPE                                | 1        |                    |

**PARTS**

TCH 22EB2

| ITEM NO. | CODE NO. | DESCRIPTION                              | NO. USED | REMARKS                |
|----------|----------|--|----------|------------------------|
| 100      | 669-8988 | HEX. SOCKET HD. BOLT (W/BUTTON) M5 X 20  | 3        |                        |
| 101      | 669-7591 | RECOIL SPRING                            | 1        |                        |
| 102      | 669-3072 | STARTER ROPE REEL                        | 1        |                        |
| 103      | 668-5183 | DAMPER SPRING                            | 1        |                        |
| 104      |          | CAM PLATE                                | 1        |                        |
| 105      | 668-4679 | SET SCREW                                | 1        |                        |
| 106      | 669-8622 | RECOIL STARTER ASS'Y                     | 1        | INCLUD. 97-99, 101-105 |
| 107      | 669-8624 | AIR DEFLECTOR                            | 1        |                        |
| 108      | 669-8402 | FUEL TANK CAP ASS'Y                      | 1        | INCLUD. 109            |
| 109      | 669-8732 | TANK CAP CHAIN                           | 1        |                        |
| 110      | 669-8931 | FUEL GROMMET                             | 1        |                        |
| 111      | 669-8873 | FUEL PIPE                                | 1        |                        |
| 112      | 669-8875 | FUEL PIPE (PINK)                         | 1        |                        |
| 113      | 669-6970 | RETURN GROMMET                           | 1        |                        |
| 114      | 669-6949 | CLIP                                     | 1        |                        |
| 115      | 669-8874 | PUMP FILTER                              | 1        |                        |
| 116      | 669-8615 | CUSHION RUBBER                           | 4        |                        |
| 117      | 669-8613 | TANK                                     | 1        |                        |
| 141      |          | NAME PLATE                               | 1        |                        |
| 142      | 669-9079 | HANDLE                                   | 1        |                        |
| 143      | 669-8885 | SEAL LOCK HEX. SOCKET HD. BOLT M5 X 40   | 2        |                        |
| 144      | 669-8884 | SPRING WASHER M5                         | 2        |                        |
| 145      | 669-8749 | BRAKE AXIS WASHER                        | 2        |                        |
| 146      | 669-8880 | HANDLE A                                 | 1        |                        |
| 147      |          | CAUTION LABEL                            | 1        |                        |
| 148      | 669-6348 | SPRING (A)                               | 1        |                        |
| 149      | 669-9055 | LOCK LEVER                               | 1        |                        |
| 150      | 669-9053 | THROTTLE LEVER                           | 1        |                        |
| 151      | 669-6344 | TRIGGER LOCKOUT                          | 1        |                        |
| 152      | 669-6345 | THROTTLE LEVER SPRING                    | 1        |                        |
| 153      | 669-6940 | STOP SWITCH                              | 1        |                        |
| 154      | 669-9051 | HANDLE B                                 | 1        |                        |
| 155      | 305-812  | TAPPING SCREW (W/FLANGE) D4 X 16 (BLACK) | 4        |                        |
| 156      | 669-8627 | THROTTLE WIRE                            | 1        |                        |
| 157      | 669-8738 | PROTECTION TUBE                          | 1        |                        |
| 158      | 669-9058 | STOP SWITCH CORD                         | 1        |                        |
| 159      | 669-9059 | STOP SWITCH CORD (B)                     | 1        |                        |
| 160      | 669-9049 | FIXATION PLATE (B)                       | 1        |                        |
| 161      | 669-8766 | NYLON NUT M6                             | 2        |                        |
| 162      | 668-4639 | BOLT WASHER 6                            | 4        |                        |
| 163      | 669-9108 | U-NUT M5                                 | 5        |                        |
| 164      | 669-9114 | WASHER (A)                               | 2        |                        |
| 165      | 669-9178 | RUBBER WASHER                            | 2        |                        |
| 166      | 669-2244 | COLLAR 5.8                               | 1        |                        |
| 167      | 669-9177 | SUPPORT PLATE                            | 1        |                        |
| 168      | 949-432  | BOLT WASHER M6 (10 PCS.)                 | 2        |                        |
| 169      | 669-9061 | BLADE ASS'Y (620 MM)                     | 1        | INCLUD. 163, 172-176   |
| 170      | 669-9065 | HEX. SOCKET HD. BOLT (W/FLANGE) M5 X 8   | 1        |                        |
| 171      | 669-9062 | GUARD PLATE                              | 1        |                        |
| 172      | 669-9113 | HEX. SOCKET HD. BOLT (W/BUTTON) M6 X 25  | 1        |                        |

**PARTS**

TCH 22EB2

| ITEM NO. | CODE NO. | DESCRIPTION                                 | NO. USED | REMARKS     |  |
|----------|----------|---|----------|-------------|--|
| 173      | 669-9114 | WASHER (A)                                  | 5        |             |  |
| 174      | 669-9111 | WASHER M7                                   | 5        |             |  |
| 175      | 669-9109 | SHOULDER BUTTON BOLT M5 X 25                | 4        |             |  |
| 176      | 669-9179 | SHOULDER BUTTON BOLT M5 X 31                | 1        |             |  |
| 177      | 669-8948 | BLADE CASE (FOR 620 MM)                     | 1        |             |  |
| 178      | 669-9041 | HANDLE BRACKET                              | 1        |             |  |
| 179      | 669-6359 | CLIP  | 1        |             |  |
| 180      | 668-5407 | BOLT WASHER D5                              | 3        |             |  |
| 181      | 669-9044 | SEAL LOCK HEX. SOCKET BOLT (W/WASHERS) M5   | 3        |             |  |
| 182      | 669-9070 | GEAR CASE (A) ASS'Y                         | 1        | INCLUD. 183 |  |
| 183      | 669-8772 | BALL BEARING 608ZZC3                        | 2        |             |  |
| 184      | 669-9113 | HEX. SOCKET HD. BOLT (W/BUTTON) M6 X 25     | 1        |             |  |
| 185      | 669-9063 | GUIDE PLATE (B)                             | 2        |             |  |
| 186      | 669-8987 | CAM ROD                                     | 2        |             |  |
| 187      | 669-9066 | GEAR 2                                      | 1        |             |  |
| 188      | 669-9068 | FELT PACKING (B)                            | 2        |             |  |
| 189      | 669-9067 | FELT PACKING (C)                            | 1        |             |  |
| 190      | 669-9042 | GEAR CASE PACKING                           | 1        |             |  |
| 191      | 669-9071 | GEAR CASE (B) ASS'Y                         | 1        | INCLUD. 183 |  |
| 192      | 669-9069 | HEX. SOCKET HD. BOLT (W/SP. WASHER) M5 X 14 | 6        |             |  |
|          |          |   |          |             |  |
|          |          |   |          |             |  |
|          |          |   |          |             |  |
|          |          |   |          |             |  |

**STANDARD ACCESSORIES**

| ITEM NO. | CODE NO. | DESCRIPTION         | NO. USED | REMARKS |  |
|----------|----------|---------------------|----------|---------|--|
| 501      | 669-8756 | BOX WRENCH 10/19 MM | 1        |         |  |
|          |          |                     |          |         |  |
|          |          |                     |          |         |  |
|          |          |                     |          |         |  |
|          |          |                     |          |         |  |
|          |          |                     |          |         |  |
|          |          |                     |          |         |  |
|          |          |                     |          |         |  |
|          |          |                     |          |         |  |
|          |          |                     |          |         |  |
|          |          |                     |          |         |  |
|          |          |                     |          |         |  |
|          |          |                     |          |         |  |
|          |          |                     |          |         |  |
|          |          |                     |          |         |  |
|          |          |                     |          |         |  |
|          |          |                     |          |         |  |
|          |          |                     |          |         |  |
|          |          |                     |          |         |  |
|          |          |                     |          |         |  |
|          |          |                     |          |         |  |
|          |          |                     |          |         |  |
|          |          |                     |          |         |  |
|          |          |                     |          |         |  |
|          |          |                     |          |         |  |
|          |          |                     |          |         |  |
|          |          |                     |          |         |  |