

B20

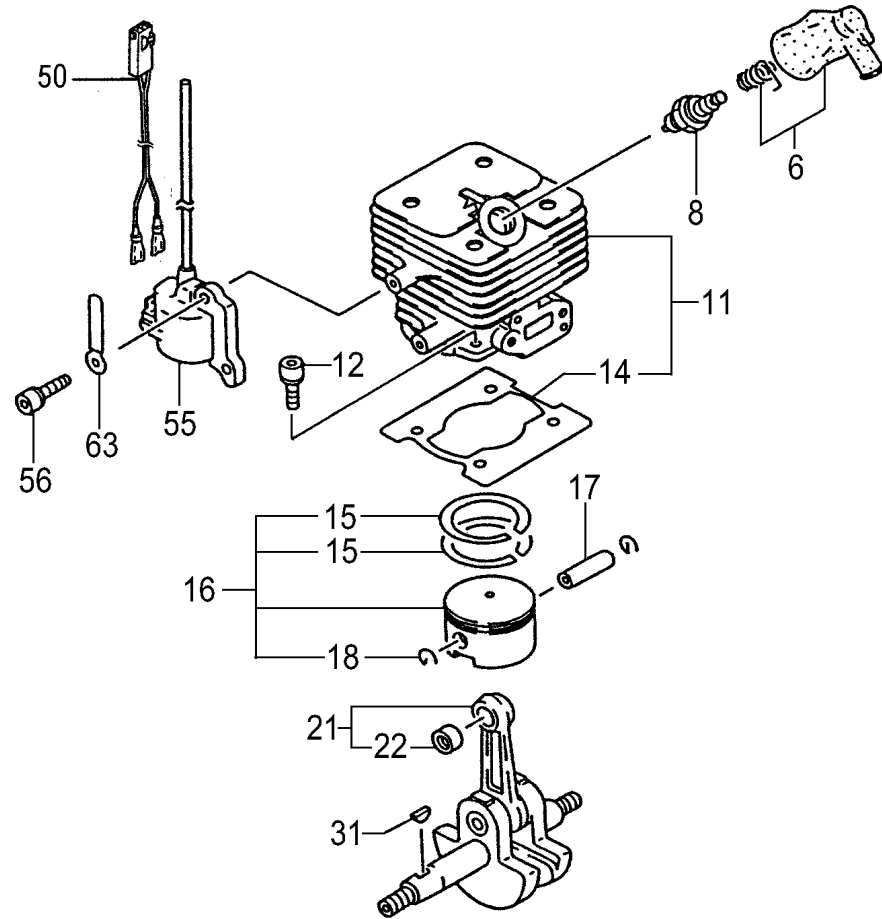
Tanaka

TBC-4200DB/D

-W084470

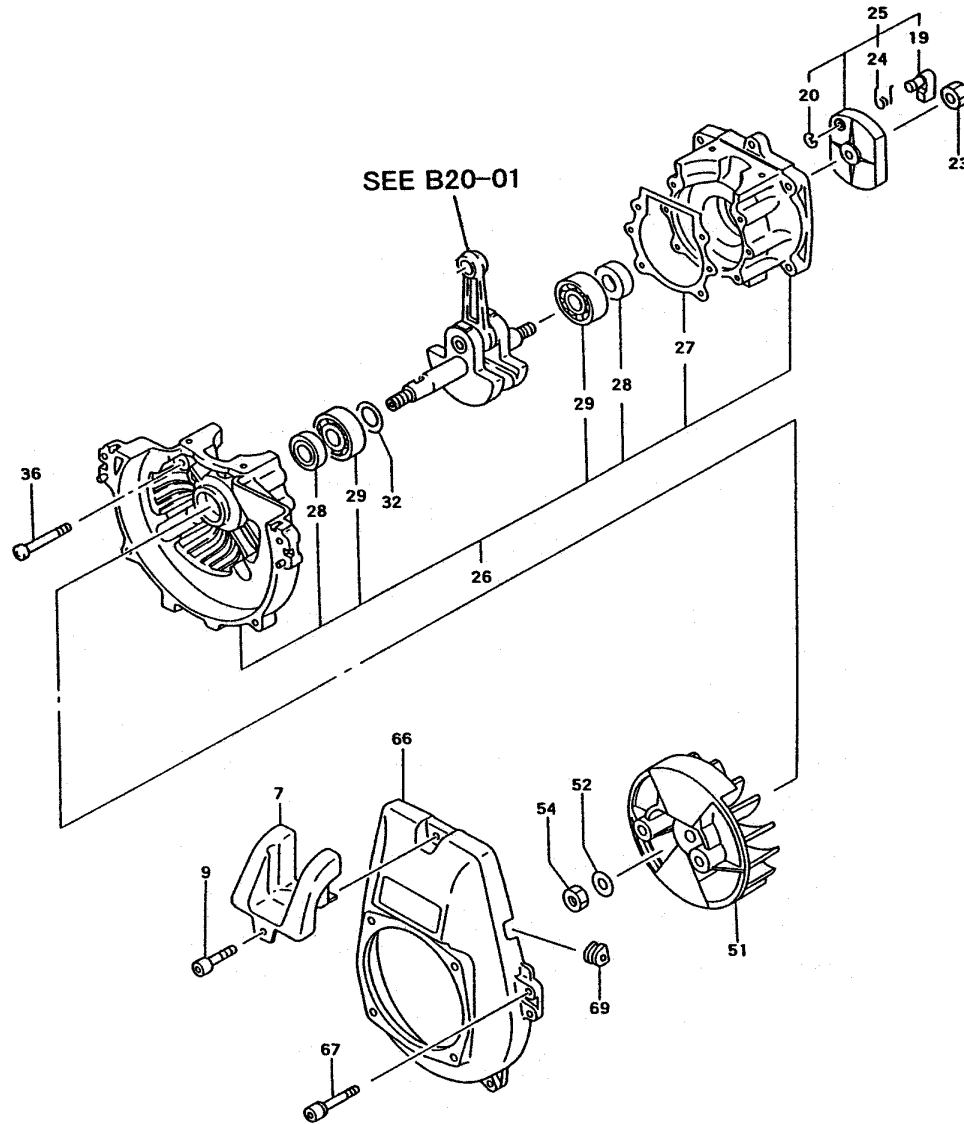
B20-01

TBC-4200DB/KOLBEN & ZYLINDER



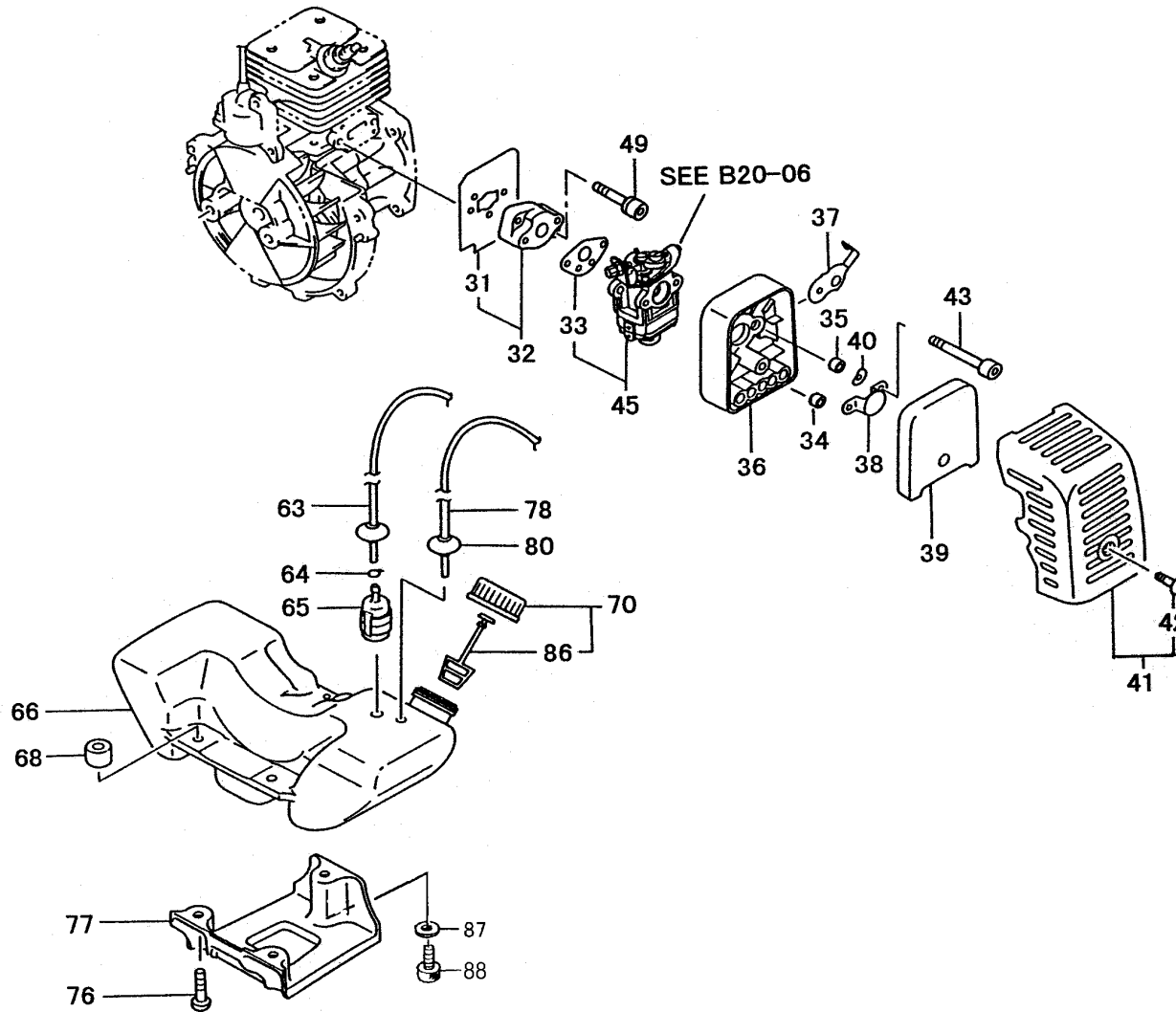
REF. NUMBER	PARTS NUMBER	QTY	SERIAL NUMBER
006	157-0097A-90	1	
008	018-06540-21	1	
011	001-04300-90	1	
012	994-61050-204	4	
014	017-0430A-20	1	
015	041-04050-20	2	
016	030-0423Z-90	1	
017	037-01000-20	1	
018	039-05004-20	2	
021	046-04300-80	1	
022	999-62101-004	1	
031	068-02000-20	1	
050	191-04405-90	1	
055	167-20538-90	1	
056	994-64040-184	2	
063	198-11600-80	1	

B20-02 TBC-4200DB/KURBELGEHÄUSE



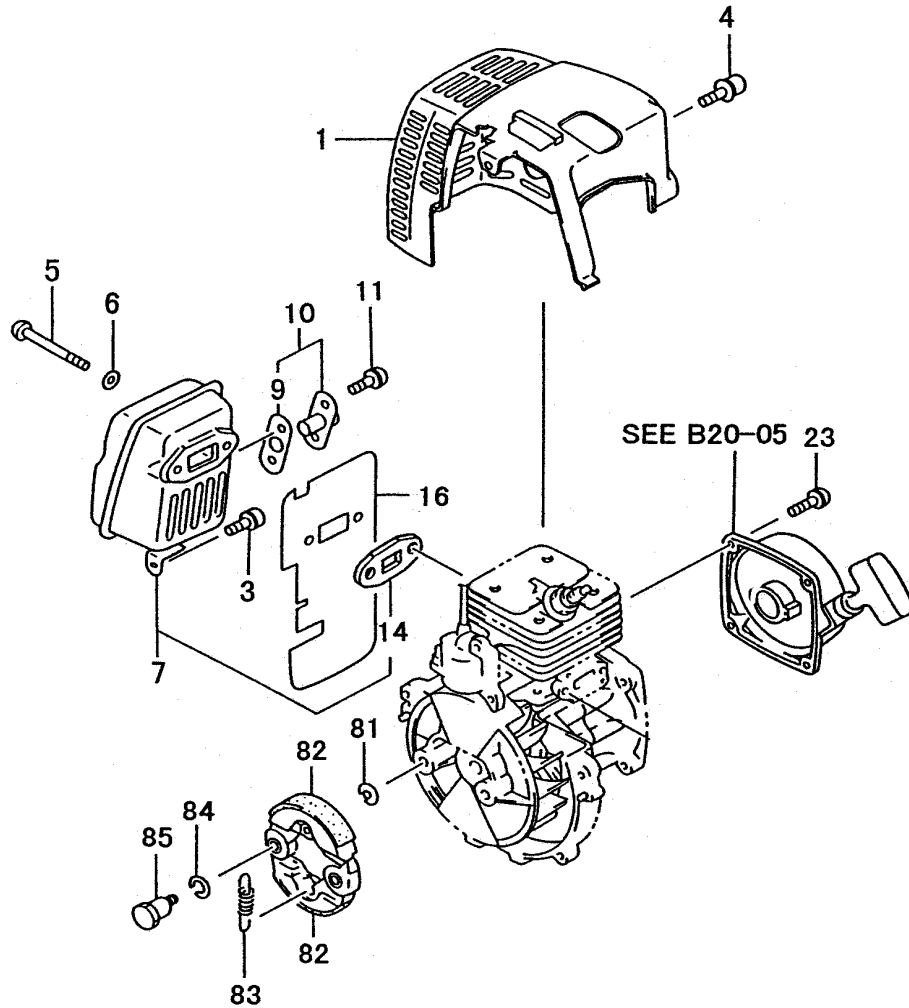
REF. NUMBER	PARTS NUMBER	Q'TY	SERIAL NUMBER
007	257-04300-20	1	
009	994-63050-204	1	
019	788-0162V-20	1	
020	993-55050-000	1	
023	991-11100-013	1	
024	790-0162V-20	1	
025	798-04220-90	1	
026	072-04300-90	1	
027	090-04300-20	1	
028	999-66152-500	2	
029	999-61620-200	2	
032	071-02007-20	V	
032	071-02007-21	V	
032	071-02007-22	V	
032	071-02007-23	V	
032	071-02007-24	V	
036	994-61050-304	4	
051	155-20538-80	1	
052	992-01100-001	1	
054	991-01100-001	1	
066	112-04300-21	1	
067	994-61050-204	4	
069	203-11660-20	1	

B20-03 TBC-4200DB/MOTOR 1



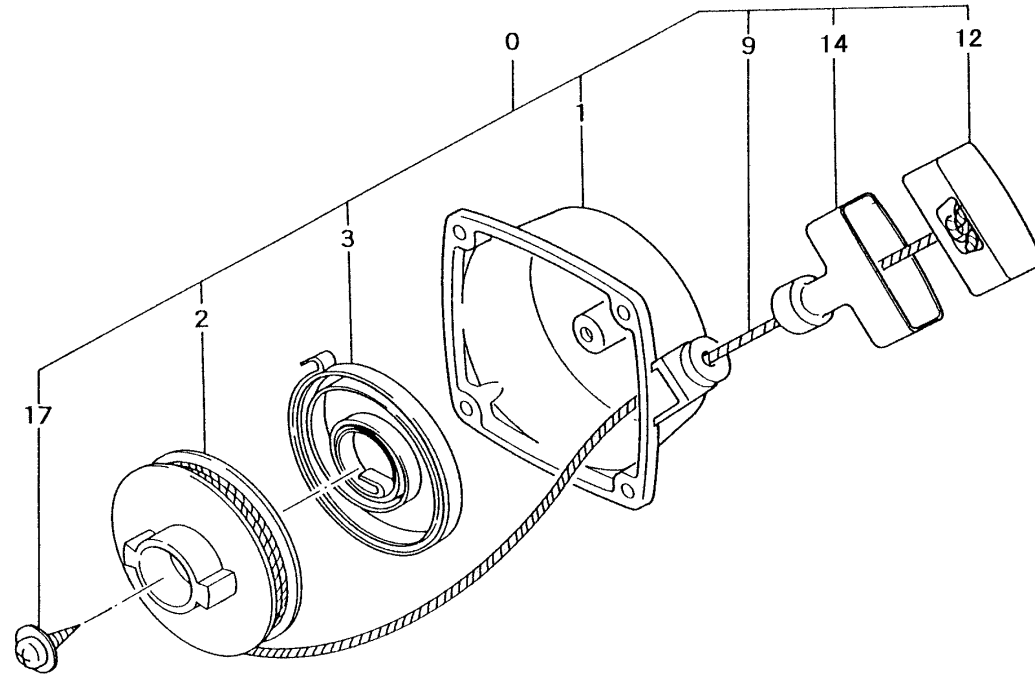
REF. NUMBER	PARTS NUMBER	Q'TY	SERIAL NUMBER
031	403-04300-20	1	
032	404-04300-90	1	
033	402-04300-20	1	
034	453-0637C-20	1	
035	470-0602N-20	1	
036	423-01380-82	1	
037	528-01380-21	1	
038	476-01700-20	1	
039	446-01380-20	1	
040	992-04080-031	1	
041	452-01380-91	1	
042	380-0637C-20	1	
043	990-51050-553	2	
044	992-10050-062	2	
045	455-04300-90	1	
049	994-64050-254	2	
063	223-01251-90	1	
064	680-00731-20	1	
065	675-01630-90	1	
066	591-0430A-21	1	
068	659-04300-20	3	
070	595-0423Q-91	1	
076	994-61050-204	3	- W084270
076	994-61050-204	2	W084271 -
077	940-04300-20	1	
078	700-03005-08	1	
080	222-06300-20	1	
086	626-32550-20	1	
087	992-01050-011	1	W084271 -
088	994-61050-224	1	W084271 -

B20-04 TBC-4200DB/MOTOR 2



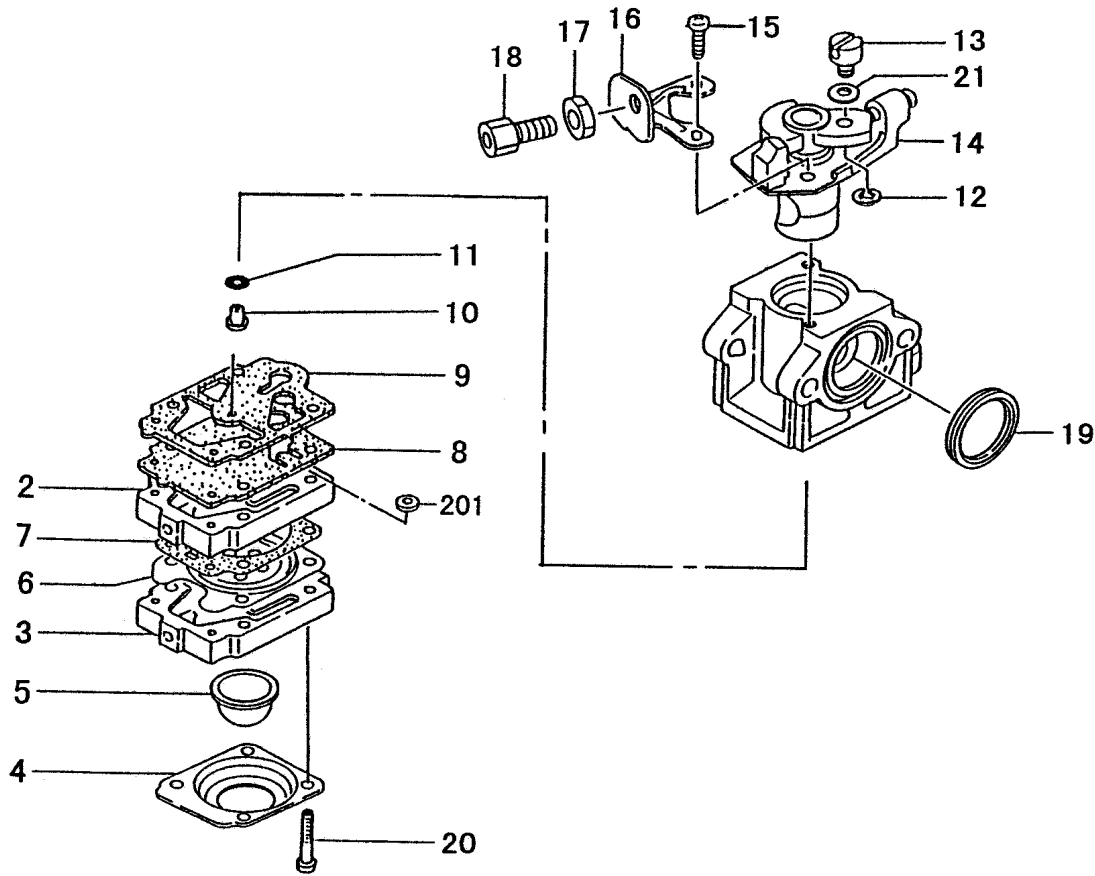
REF. NUMBER	PARTS NUMBER	QTY	SERIAL NUMBER
001	738-04300-20	1	
003	994-61050-124	1	
004	994-64050-154	1	
005	990-53060-653	2	
006	992-01060-011	2	
007	704-04300-90	1	
009	751-04200-20	1	- V108606
010	721-04300-90	1	- V108606
011	994-14040-081	2	- V108606
014	737-04230-20	1	
016	133-04300-20	1	
023	994-63050-204	4	
081	359-10112-20	2	
082	290-04200-81	2	
083	342-04200-20	1	
084	992-04100-030	2	
085	357-04201-20	2	

B20-05 TBC-4200DB/STARTER



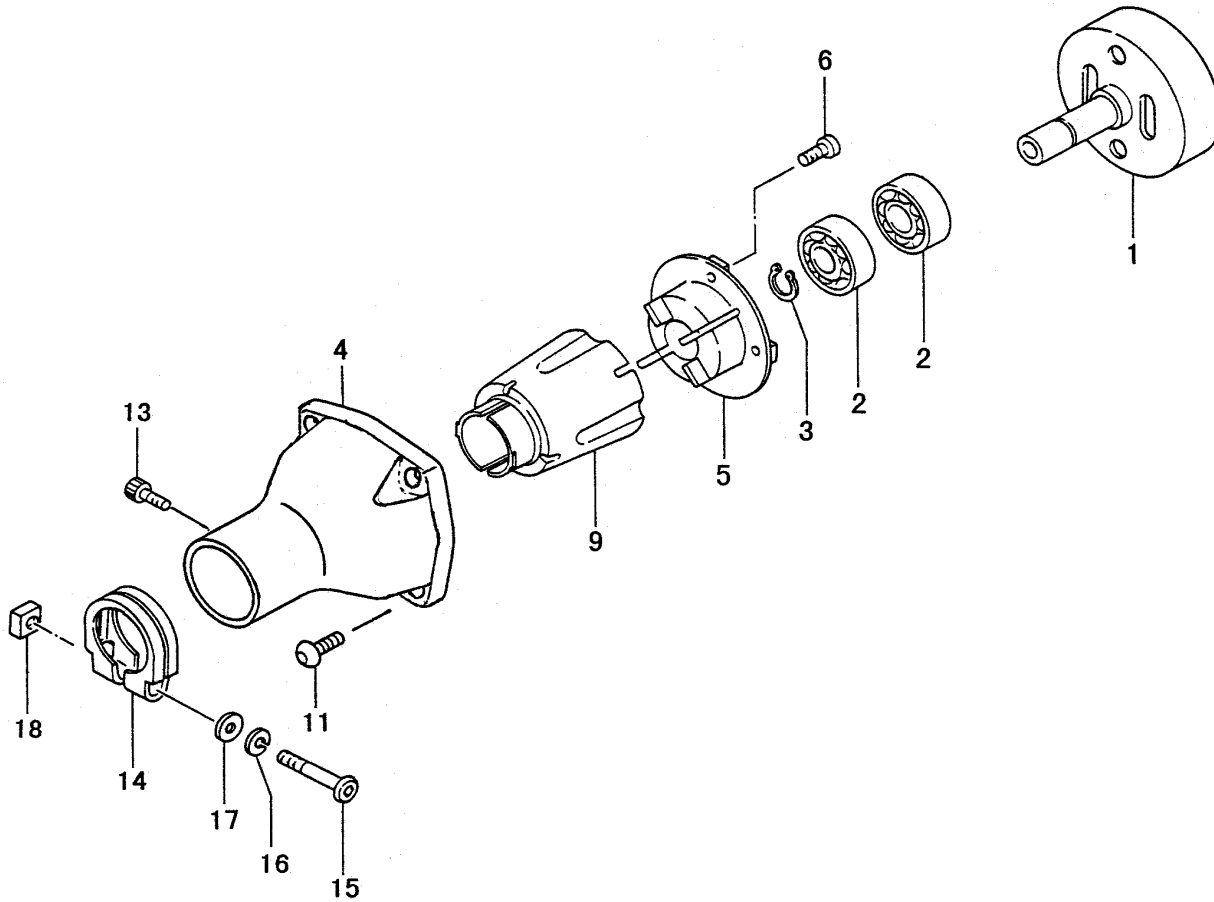
REF. NUMBER	PARTS NUMBER	Q'TY	SERIAL NUMBER
000	762-04220-90	1	
001	772-04220-80	1	
002	769-04220-20	1	
003	779-04220-20	1	
009	783-04220-20	1	
012	835-04220-20	1	
014	785-04220-20	1	
017	839-04220-20	1	

B20-06 TBC-4200DB/VERGASER



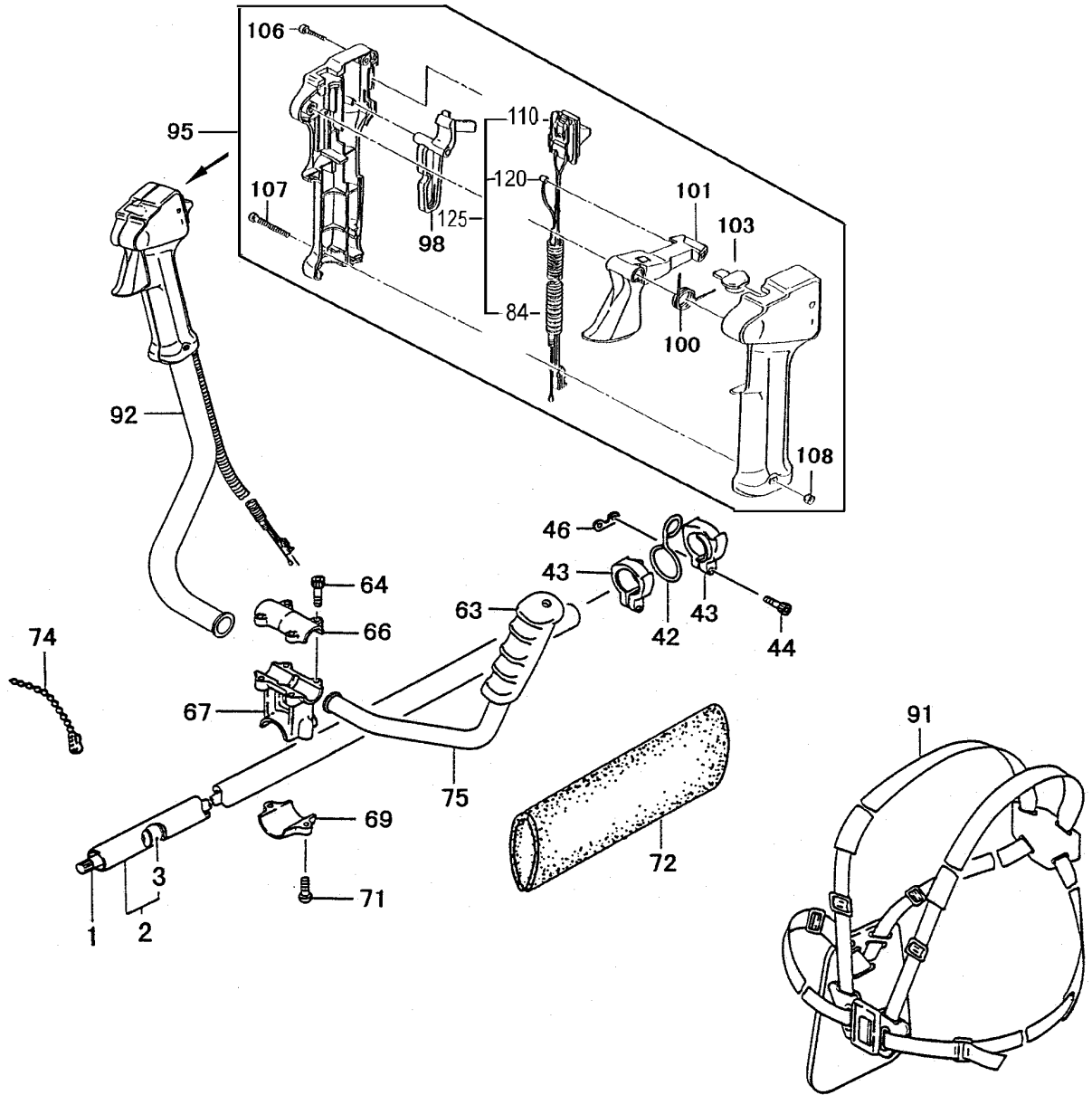
REF. NUMBER	PARTS NUMBER	QTY	SERIAL NUMBER
002	575-25153-80	1	
003	442-25151-80	1	
004	476-25151-20	1	
005	447-25108-20	1	
006	474-25001-80	1	
007	475-25153-20	1	
008	576-25100-20	1	
009	577-25100-20	1	
010	599-2000W-51	1	
011	550-25100-20	1	
012	489-25100-20	1	
013	539-25120-20	1	
014	488-25183-80	1	
015	514-25100-20	2	
016	544-25164-20	1	
017	613-25100-20	1	
018	614-25137-20	1	
019	431-0634C-20	1	
020	548-25151-20	4	
021	549-25165-20	1	
201	578-25007-20	1	

B20-07 TBC-4200DB/KUPPLUNG



REF. NUMBER	PARTS NUMBER	Q'TY	SERIAL NUMBER
001	289-04205-80	1	
002	999-61620-202	2	
003	993-50015-002	1	
004	331-04405-20	1	
005	347-04201-20	1	
006	994-61050-164	4	
009	599-04201-81	1	
011	990-53060-203	4	
013	990-51050-103	1	
014	282-04201-20	1	
015	990-53060-453	1	
016	992-10060-062	1	
017	992-01060-061	1	
018	991-91060-061	1	

B20-08 TBC-4200DB/GRIFFSYSTEM & SCHAFT



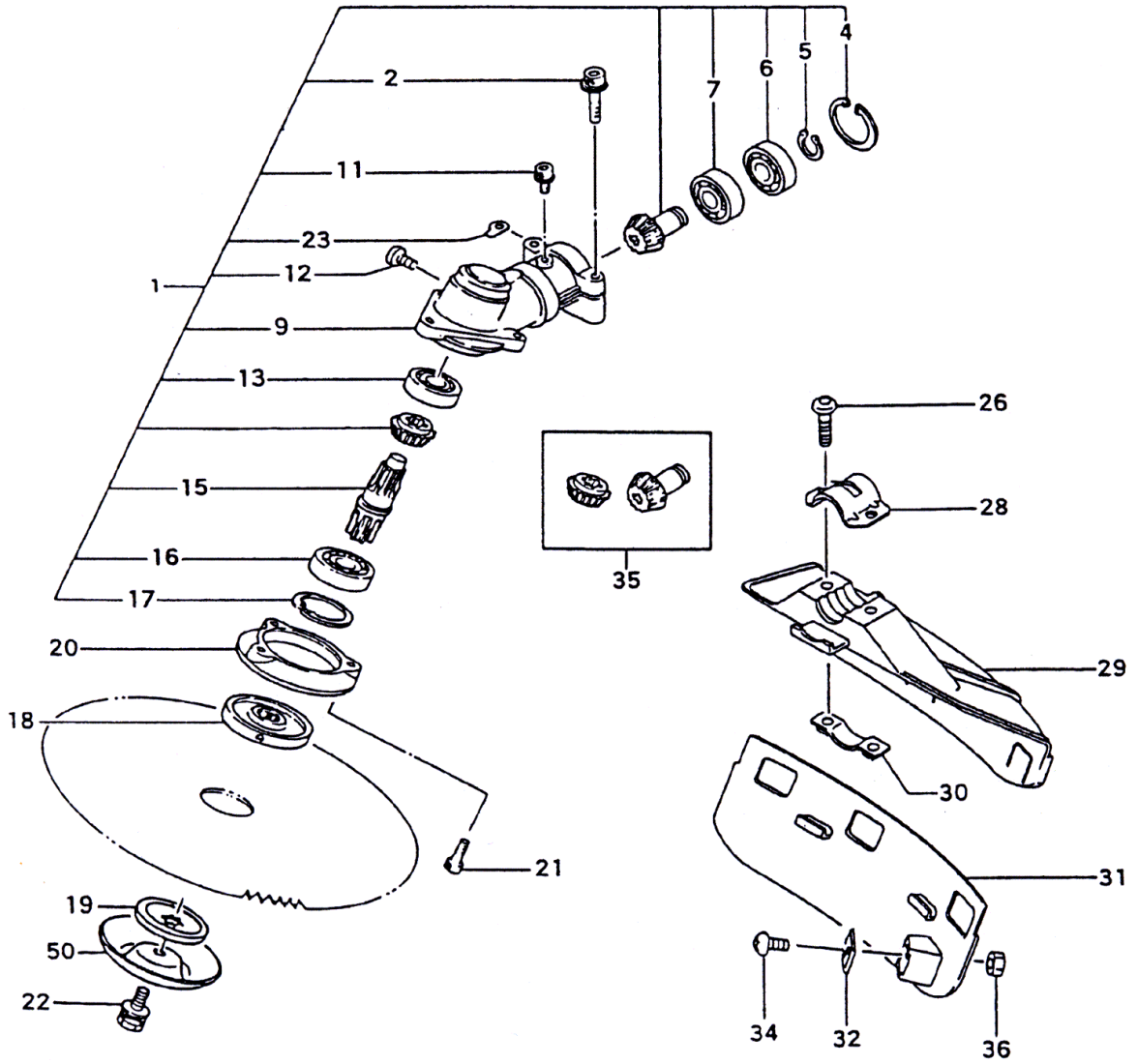
REF. NUMBER	PARTS NUMBER	Q'TY	SERIAL NUMBER
001	343-38101-20	1	
002	341-38101-80	1	- W084270
002	341-37861-20	1	W084271 -
003	347-37100-90	5	
042	335-37121-20	1	
043	334-37121-20	2	
044	994-62050-304	2	
046	315-37304-20	1	
063	165-37590-20	1	
064	994-61050-254	4	
066	506-37130-20	1	- W084270
066	506-37121-20	1	W084271 -
067	507-37130-20	1	- W084270
067	507-37121-20	1	W084271 -
069	508-37130-20	1	- W084270
069	508-33411-20	1	W084271 -
071	994-81060-254	2	
072	336-37540-20	1	
074	460-33111-20	1	
075	502-33674-21	1	- W084270
075	502-37415-21	1	W084271 -
084	164-07086-50	1	
091	746-37455-91	1	
092	501-38102-20	1	- W084270
092	501-37169-20	1	W084271 -
095	870-38401-90	1	
098	253-38400-20	1	
100	832-38400-20	1	
101	880-38401-20	1	
103	322-38400-20	1	
106	993-46040-202	2	
107	994-31050-303	1	
108	991-01050-043	1	
110	156-38401-80	1	
120	887-38401-80	1	
125	885-38401-80	1	

Brush Cutters

TBC-4200D/DB

GEAR CASE
SERIAL NO.-W084270

B2009



Brush Cutters

TBC-4200D/DB

GEAR CASE
SERIAL NO.-W084270

B2009

REF.No.	PARTS No.	DESCRIPTION	Q'ty	SERIAL No.
001	300-33392-92	GEAR CASE ASSY, 30	1	
002	994-61050-254	HEX. HOLE BOLT 5X25	2	
004	993-51028-002	STOP RING C-28, INNE	1	
005	993-50012-002	STOP RING C-12, OUTE	1	
006	999-61600-102	BALL BEARING #6001Z	1	
007	999-61600-100	BALL BEARING #6001,	1	
009	300-33392-21	GEARCASE, SILVER	1	
011	994-61050-124	HEX. HOLE BOLT 5X12	1	
012	994-23080-100	PLUS HEAD BOLT 8X10	1	
013	999-61600-000	BALL BEARING #6000,	1	
015	304-37100-21	GEAR SHAFT	1	
016	999-61620-303	BALL BEARING #6203D	1	
017	993-51040-002	STOP RING C-40, INNE	1	
018	310-37100-21	CUTTER HOLDER	1	
019	311-33386-20	CUTTER HOLDER CAP	1	
020	307-37100-81	PROTECTION COVER	1	
021	994-16050-162	SCREW 5X16/WS	3	
022	312-33386-20	FIXING BOLT, L.H.	1	
023	324-37110-20	GEAR CASE WASHER	2	
026	994-81060-254	HEX. HOLE BUTTON S	2	
028	442-37121-20	COVER BRACKET, 30	1	
029	441-37130-20	SAFETY COVER,30 DIA	1	
030	445-37380-20	SAFETY COVER HOLD	1	
031	447-37380-20	COVER GUARD	1	
032	797-37380-21	KNIFE	1	
034	994-14050-121	SCREW 5X12/S	1	
035	301-37100-00	GEAR-PINION SET, SP	1	
036	991-01050-011	HEX. NUT 5	1	
050	308-33410-20	PROTECTION COVER	1	

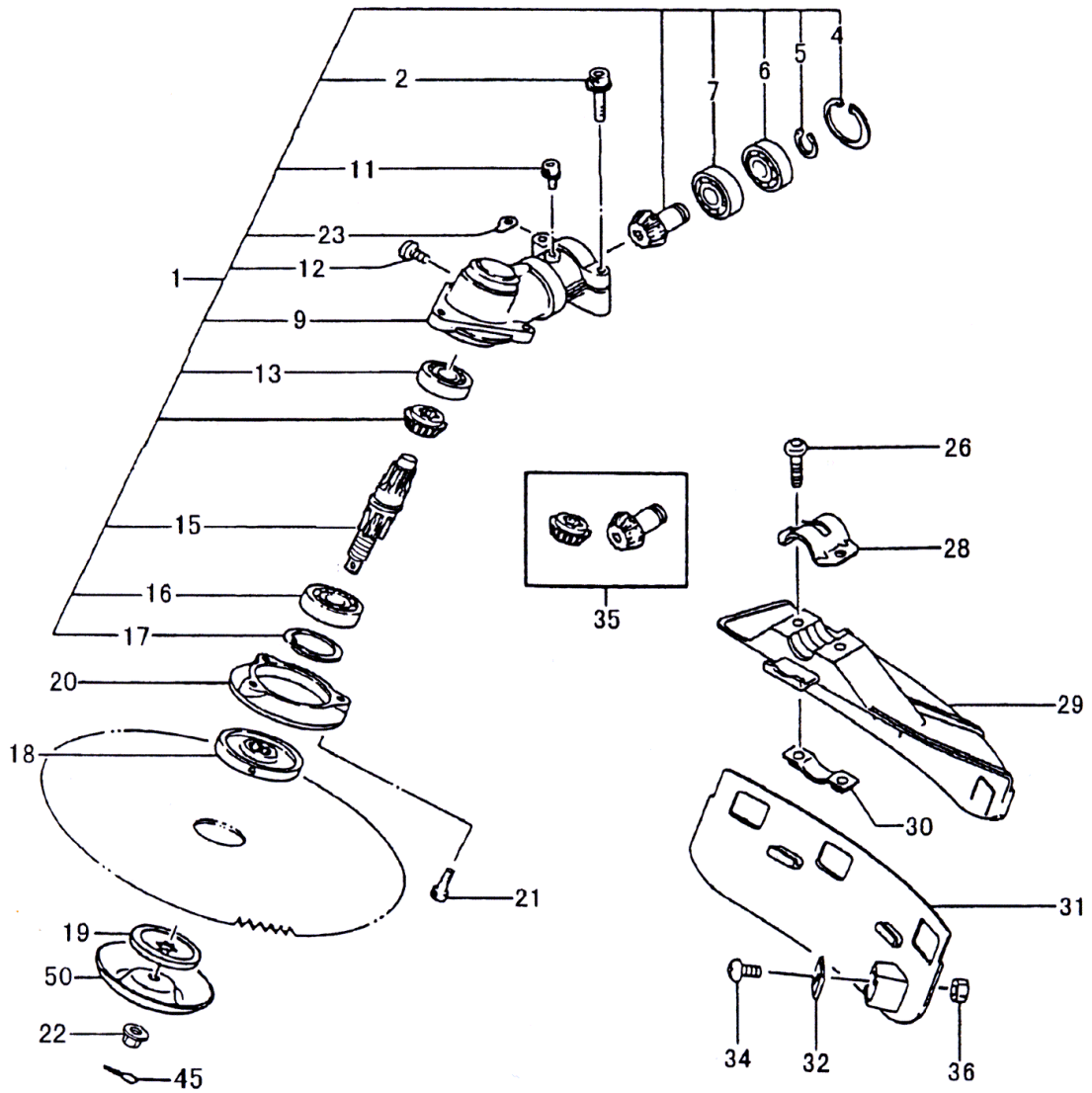
Brush Cutters

TBC-4200D/DB

GEAR CASE
SERIAL NO. W084271-

B2010

B2010



Brush Cutters

TBC-4200D/DB

GEAR CASE
SERIAL NO. W084271-

B2010

REF.No.	PARTS No.	DESCRIPTION	Q'ty	SERIAL No.
001	300-37861-90	GEAR CASE ASS'Y, 30	1	
002	994-61050-254	HEX. HOLE BOLT 5X25	2	
004	993-51028-002	STOP RING C-28, INNE	1	
005	993-50012-002	STOP RING C-12, OUTE	1	
006	999-61600-102	BALL BEARING #6001Z	1	
007	999-61600-100	BALL BEARING #6001,	1	
009	300-33392-21	GEARCASE, SILVER	1	
011	994-61050-124	HEX. HOLE BOLT 5X12	1	
012	994-23080-100	PLUS HEAD BOLT 8X10	1	
013	999-61600-000	BALL BEARING #6000,	1	
015	304-37850-20	GEAR SHAFT 6X11X14	1	
016	999-61620-303	BALL BEARING #6203D	1	
017	993-51040-002	STOP RING C-40, INNE	1	
018	310-37100-21	CUTTER HOLDER	1	
019	311-37861-20	CUTTER HOLDER CAP	1	
020	307-37100-81	PROTECTION COVER	1	
021	994-16050-162	SCREW 5X16/WS	3	
022	313-38100-20	CUTTER FIXING NUT,L	1	
023	324-37110-20	GEAR CASE WASHER	2	
026	994-81060-254	HEX. HOLE BUTTON S	2	
028	442-37121-20	COVER BRACKET, 30	1	
029	441-37130-20	SAFETY COVER, CE	1	
030	445-37380-20	SAFETY COVER HOLD	1	
031	447-37380-20	COVER GUARD	1	
032	797-37380-21	KNIFE	1	
034	994-14050-121	SCREW 5X12/S	1	
035	301-37100-00	GEAR-PINION SET, SP	1	
036	991-01050-011	HEX. NUT 5	1	
045	327-37180-90	SPLIT PIN SET(10 PCS)	1	
050	308-37861-20	PROTECTION COVER	1	