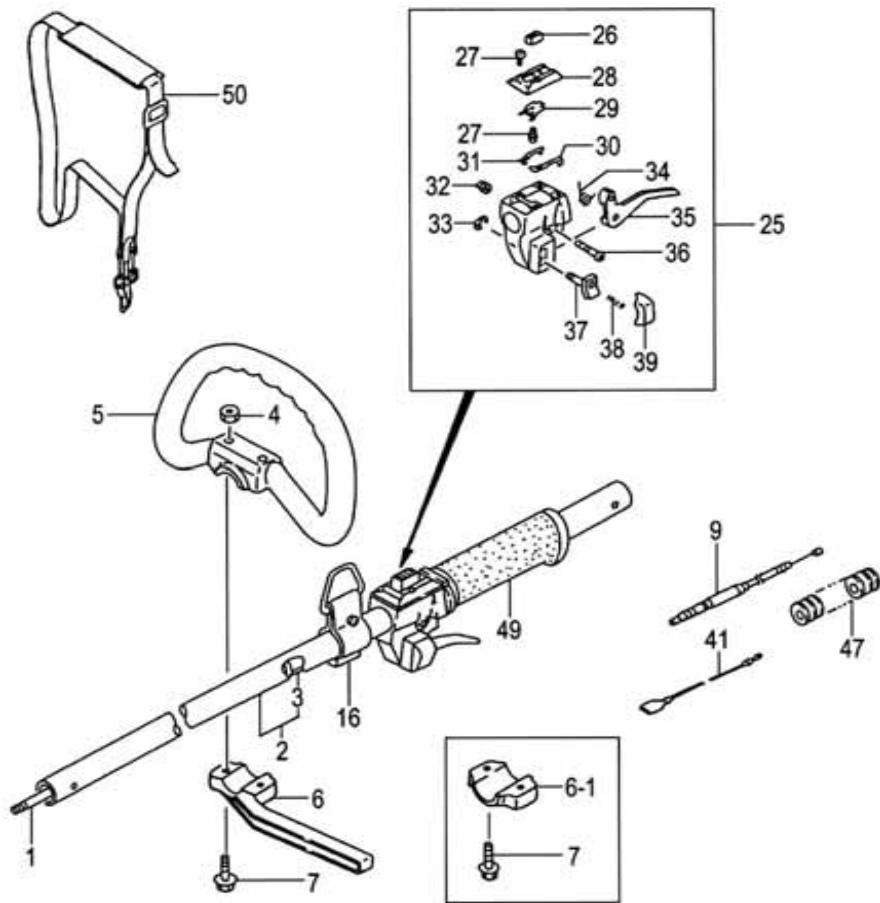


TBC-300,SDH OPERATION PIPE(SH/SERIAL NO.-T019288)

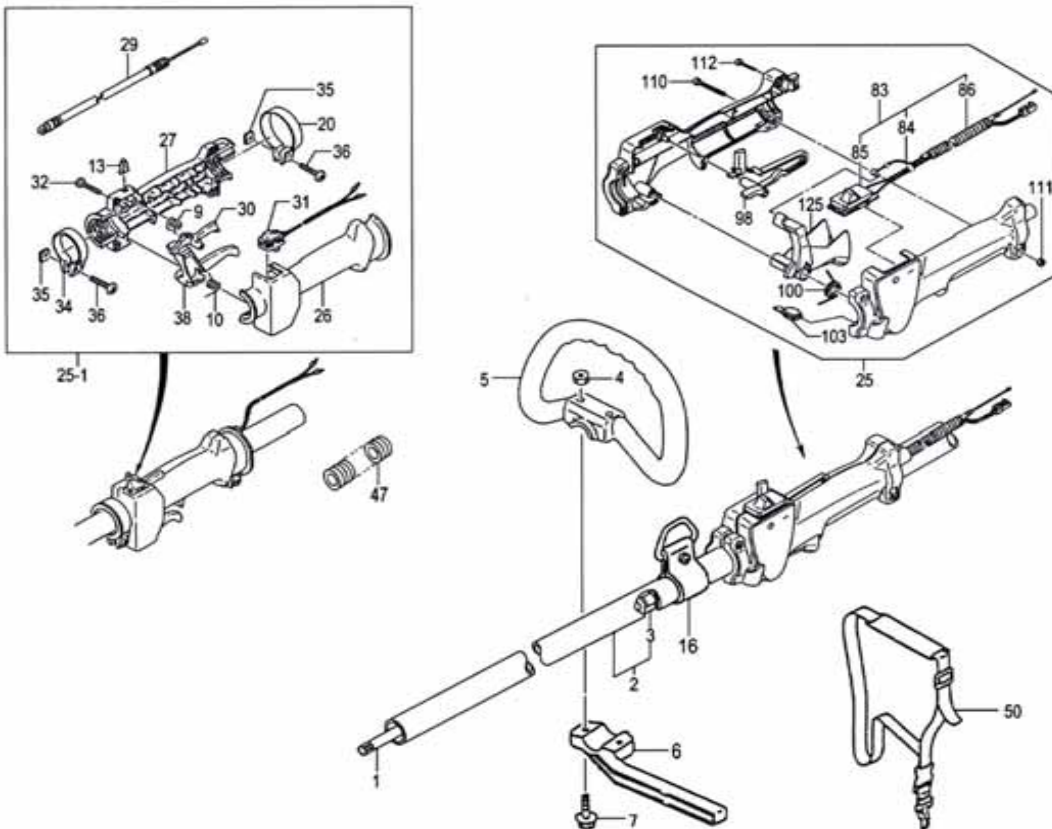


Parts List

Ref.	Part No.	Description	Q'ty	Serial No.
001	343-37300-20	DRIVE SHAFT, 7X1504L SOLID	1	
002	341-37356-80	DRIVE SHAFT PIPE COMP.	1	
003	347-37356-90	BUSHING ASS'Y	5	
004	991-01060-041	HEX. NUT 6	2	
005	500-33560-20	HANDLE	1	
006,1	506-33560-20	HANDLE BRACKET A	1 - R274200	
006	520-33398-20	BARRIER, 26DIA, BLACK	1 R274201 -	
007	994-23060-432	BOLT 6X43/P	2	
009	885-0097A-80	THROTTLE WIRE COMP.	1 - N192000	
009	885-37394-80	THROTTLE WIRE COMP., 4T	1 N192001 -	
016	335-37451-90	LIFTING METAL ASS'Y, BLACK	1	
025	870-37003-90	THROTTLE LEVER ASS'Y	1	
026	162-37101-20	STOP SWITCH	1	
027	993-42030-081	TAPPING SCREW 3X8	3	
028	259-37101-20	STOP SWITCH BASE	1	
029	262-37101-20	STOP SWITCH SPRING	1	
030	177-37101-20	EARTH TERMINAL B	1	
031	176-37101-20	EARTH TERMINAL A	1	
032	991-86050-000	SELF-LOCK NUT 5	1	
033	993-55060-001	STOP RING E-6	1	
034	832-37101-20	RETURN SPRING	1	
035	880-37101-20	THROTTLE ARM	1	
036	994-31050-251	SCREW 5X25	1	
037	853-37101-20	LOCK BUTTON SHAFT	1	
038	958-37101-20	LOCK BUTTON SPRING	1	
039	956-37101-20	LOCK BUTTON	1	
041	178-37300-80	STOP CORD COMP.	2 - N192000	
041	178-37394-80	STOP CORD, B430M	2 N192001 -	
047	164-13014-01	PROTECTION TUBE 13X140L	1 - N192000	
047	164-10019-00	PROTECTION TUBE 10X190L	1 N192001 -	
049	504-37003-20	SHAFT GRIP	1	
050	746-33407-90	SHOULDER BELT ASSY	1	

B06
12-1

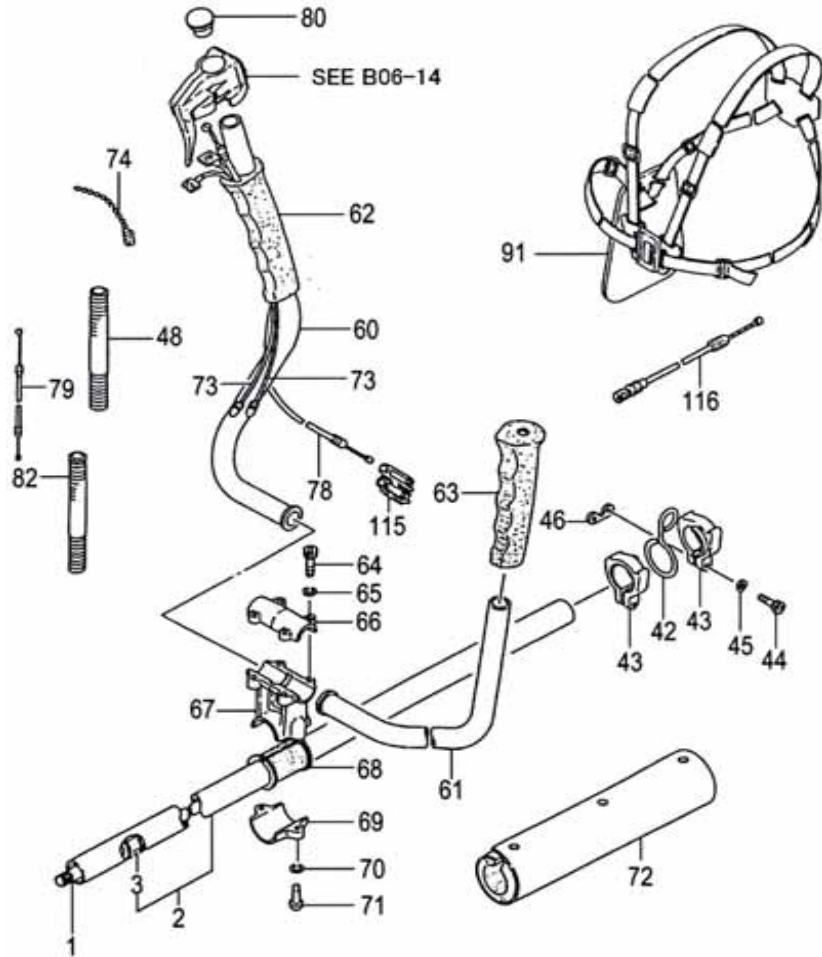
TBC-300,SDH OPERATION PIPE(SH,W/THROTTLE LOCKOUT)(SERIAL NO.T019289-)



Parts List

Ref.	Part No.	Description	Q'ty	Serial No.
001	343-37300-20	DRIVE SHAFT, 7X1504L SOLID	1	
002	341-37356-80	DRIVE SHAFT PIPE COMP.	1	- W085670
002	341-37378-80	DRIVE SHAFT PIPE COMP.	1	W085671 -
003	347-37356-90	BUSHING ASS'Y	5	
004	991-01060-041	HEX. NUT 6	2	
005	500-33560-20	HANDLE	1	
006	520-33398-20	BARRIER, 26DIA, BLACK	1	
007	994-23060-432	BOLT 6X43/P	2	
009	958-37411-20	LOCK BUTTON SPRING	1	- W085670
010	832-37411-20	RETURN SPRING	1	- W085670
013	956-37411-20	LOCK BUTTON	1	- W085670
016	335-37451-90	LIFTING METAL ASS'Y, BLACK	1	- W085670
016	335-37378-90	LIFTING METAL ASS'Y	1	W085671 -
020	889-37411-20	THROTTLE LEVER BAND B	1	- W085670
025,1	870-37395-90	THROTTLE TRIGGER ASS'Y	1	- W085670
025	870-37588-90	THROTTLE LEVER ASS'Y, 26 DIA.	1	W085671 -
026	875-37376-21	THROTTLE BODY A	1	- W085670
027	884-37376-21	THROTTLE BODY B	1	- W085670
029	885-37254-80	THROTTLE WIRE COMP.	1	- W085670
030	253-37411-20	SAFETY LEVER	1	- W085670
031	156-37411-81	STOP BUTTON COMP.	1	- W085670
032	993-42040-182	TAPPING SCREW 4X18	1	- W085670
034	883-37411-20	THROTTLE LEVER BAND	1	- W085670
035	991-91060-061	SQUARE NUT 6	2	- W085670
036	994-31060-203	SLOTTED/PHILLIP SCREW 6X20	2	- W085670
038	880-37411-20	THROTTLE ARM	1	- W085670
047	164-10019-00	PROTECTION TUBE 10X190L	1	- W085670
083	885-38400-80	THROTTLE WIRE COMP.	1	W085671 -
084	887-38400-80	THROTTLE WIRE	1	W085671 -
085	156-38400-80	STOP SWITCH COMP.	1	W085671 -
086	164-07017-50	PROTECTION TUBE 7X175	1	W085671 -
098	253-38400-20	SAFETY LEVER	1	W085671 -
100	832-38400-20	RETURN SPRING	1	W085671 -
103	322-38400-20	BLIND PLUG	1	W085671 -
		SEE NEXT PAGE		

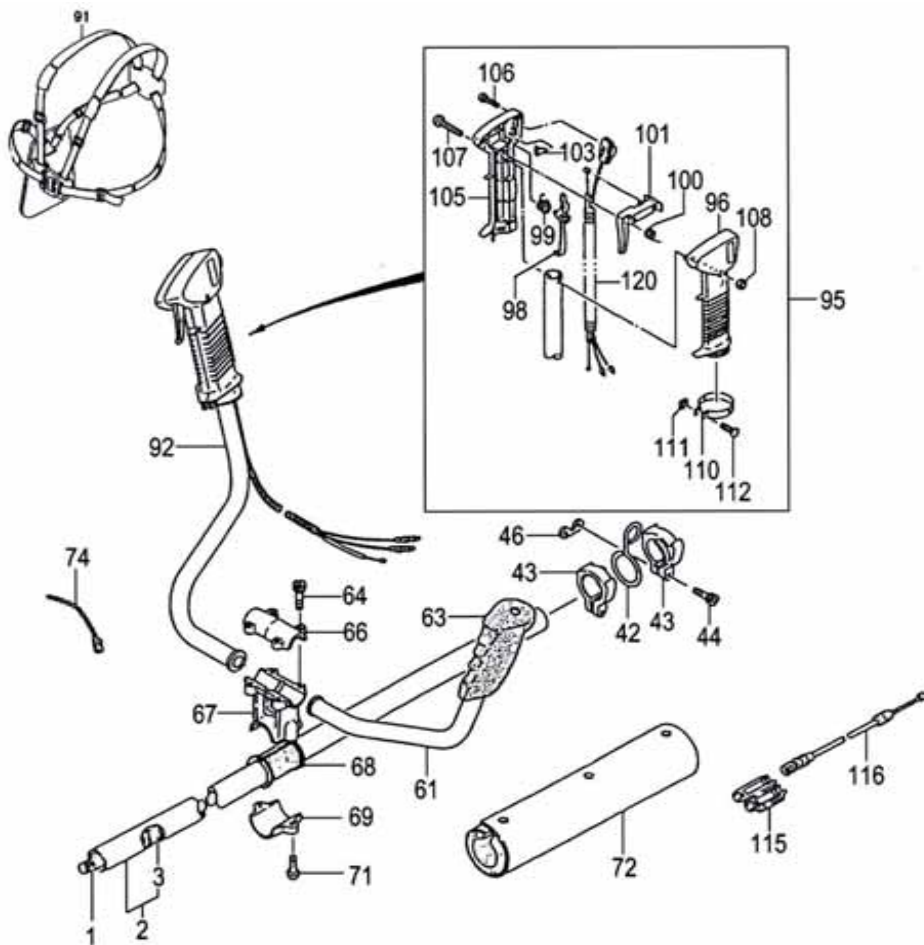
TBC-300,SDH OPERATION PIPE (SDH/SERIAL NO.-P216350)



Parts List				
Ref.	Part No.	Description	Q'ty	Serial No.
001	343-37300-20	DRIVE SHAFT, 7X1504L SOLID	1	
002	341-37356-80	DRIVE SHAFT PIPE COMP.	1	
003	347-37356-90	BUSHING ASS'Y	5	
042	335-37307-20	LIFTING METAL, 90 DGR SWIVEL	1	
043	334-37352-21	LIFTING METAL COLLAR 26	2	
044	990-51050-303	HEX. HOLE BOLT 5X30	2	
045	992-01050-061	WASHER 5	2	
046	315-37304-20	SPECIAL NUT	1	
048	164-10019-00	PROTECTION TUBE 10X190L	1	N192001-
060	501-33674-20	RIGHT HANDLE	1	
061	502-33674-21	LEFT HANDLE SK	1	
062	503-37113-20	HANDLE GRIP, RIGHT	1	
063	165-33130-20	HANDLE GRIP A	1	
064	990-51050-253	HEX. HOLE BOLT 5X25	4	
065	992-10050-062	S.WASHER 5	4	
066	506-37304-21	HANDLE BRACKET A	1	
067	507-37304-20	HANDLE BRACKET B	1	
068	510-37352-20	CUSHION RUBBER	1	
069	508-37304-21	HANDLE BRACKET C	1	
070	992-10060-062	S.WASHER 6	2	
071	990-53060-253	HEX HOLE BUTTON SCREW 6X25	2	
072	336-33411-82	CUSHION PAD COMP.	1	
073	178-37100-80	STOP CORD COMP.	2	- N192000
073	178-33317-80	STOP CORD COMP.	2	N192001 -
074	460-33111-90	CLAMP B ASS'Y	1	
078	885-0165F-80	THROTTLE WIRE COMP.	1	- N192000
078	885-37258-80	THROTTLE WIRE COMP.	1	N192001 -
079	885-0165D-80	THROTTLE WIRE COMP.,4T	1	- N192000
079	885-37258-80	THROTTLE WIRE COMP.	1	N192001 -
080	499-37100-20	PIPE GROMMET	1	
082	164-13038-01	SPLIT PROTECTION TUBE 13X380L	1	- N192000
082	164-10042-00	PROTECTION TUBE 10X420L	1	N192001 -
091	746-37455-90	SHOULDER BELT ASS'Y, CR/DOUBLE	1	
115	888-04030-20	CONNECTOR CASE	1	- N192000
116	885-0128B-80	THROTTLE WIRE COMP.	1	- N192000

B06
15-1

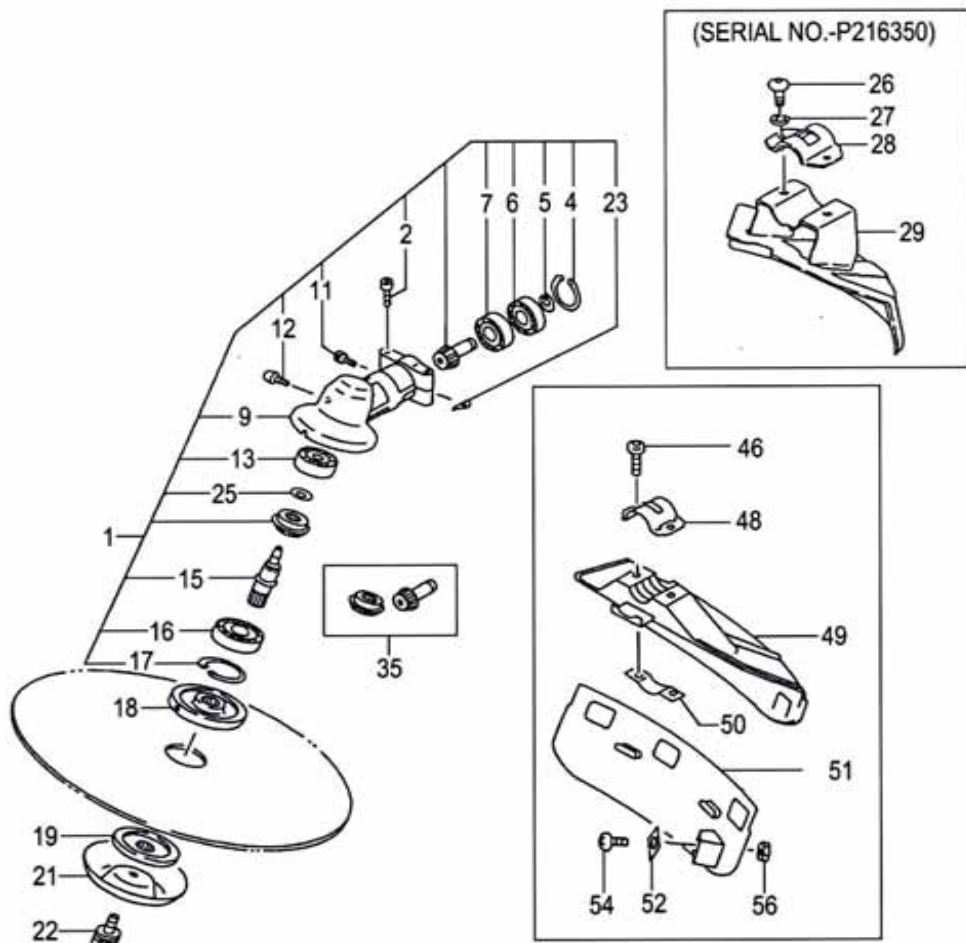
TBC-300,SDH OPERATION PIPE (SDH,W/THROTTLE LOCKOUT)



Parts List

Ref.	Part No.	Description	Q'ty	Serial No.
001	343-37300-20	DRIVE SHAFT, 7X1504L SOLID	1	
002	341-37356-80	DRIVE SHAFT PIPE COMP.	1	
003	347-37356-90	BUSHING ASS'Y	5	
042	335-37307-20	LIFTING METAL, 90 DGR SWIVEL	1	
043	334-37352-21	LIFTING METAL COLLAR 26	2	
044	994-62050-304	HEX. HOLE BOLT 5X30.P	2	
046	315-37304-20	SPECIAL NUT	1	
061	502-33674-21	LEFT HANDLE	1	
063	165-37590-20	HANDLE GRIP	1	
064	994-61050-254	HEX. HOLE BOLT 5X25/S	4	
066	506-37304-21	HANDLE BRACKET A	1	
067	507-37304-20	HANDLE BRACKET B	1	
068	510-37352-20	CUSHION RUBBER	1	
069	508-37304-21	HANDLE BRACKET C	1	
071	994-81060-254	HEX. HOLE BUTTON SCREW 6X25S	2	
072	336-33411-82	CUSHION PAD COMP.	1	
074	460-33111-20	CLAMP B.	1	
091	746-37455-91	SHOULDER BELT ASS'Y,CR/DOUBLE	1	
092	501-37155-20	RIGHT HANDLE, SK	1	
095	870-37131-90	THROTTLE LEVER ASS'Y	1	- N192000
095	870-37260-90	THROTTLE LEVER ASS'Y	1	N192001 -
096	875-37466-20	THROTTLE BODY A	1	
098	253-37466-20	SAFETY LEVER	1	
099	958-37411-20	LOCK BUTTON SPRING	1	
100	832-37411-20	RETURN SPRING	1	
101	880-37466-20	THROTTLE ARM	1	
103	956-37411-20	LOCK BUTTON	1	
105	884-37466-20	THROTTLE BODY B	1	
106	993-42040-182	TAPPING SCREW 4X18	1	
107	990-11050-354	SCREW 5X35	1	
108	991-01050-043	CONTAL NUT 5	1	
110	889-37411-20	THROTTLE LEVER BAND B	1	
111	991-91060-061	SQUARE NUT 6	1	
112	994-31060-203	SLOTTED/PHILLIP SCREW 6X20	1	
		SEE NEXT PAGE		

TBC-300,SDH GEAR CASE/GUARD



Parts List				
Ref.	Part No.	Description	Q'ty	Serial No.
001	300-37134-90	GEAR CASE ASSY, 26 DIA.	1	
002	994-61050-254	HEX. HOLE BOLT 5X25/S	2	
004	993-51024-002	STOP RING C-24, INNER	1	
005	993-50009-002	STOP RING C-9, OUTER	1	
006	999-61609-002	BALL BEARING 609Z ST	1	
007	999-61609-000	BALL BEARING 609	1	
009	300-3330B-20	GEAR CASE, 26 DIA.	1	
011	990-51050-103	HEX. HOLE BOLT 5X10	1	
012	994-23080-100	PLUS HEAD BOLT 8X10	1	
013	999-61628-000	BALL BEARING 628 ST	1	
015	304-37380-20	GEAR SHAFT	1 - P216350	
015	304-37134-20	GEAR SHAFT	1	P226351 -
016	999-61620-103	BALL BEARING 6201D, 32MM/OD	1	
017	993-51032-002	STOP RING C-32, INNER	1	
018	310-38100-20	CUTTER HOLDER, 12X10X1	1	
019	311-37300-20	CUTTER HOLDER CAP	1	
021	308-33410-20	PROTECTION COVER B	1	
022	312-37623-20	FIXING BOLT (L.H. THREAD)	1 - M218333	
022	312-33386-20	FIXING BOLT, L.H.	1	M218334 -
023	324-37350-20	GEAR CASE WASHER	1	
025	067-37134-20	SPECIAL WASHER 1.0	1	P216351 -
026	990-53060-153	HEX HOLE BUTTON SCREW 6X15	2 - P216350	
027	992-10060-062	S.WASHER 6	2 - P216350	
028	442-33671-20	COVER BRACKET, 26 DIA.	1 - P216350	
029	441-37003-80	SAFETY GUARD COMP., METAL	1 - P216350	
035	301-33395-00	GEAR-PINION SET,M1.5, SPARE	1 - P216350	
035	301-37134-00	GEAR-PINION SET, SPARE	1	P216351 -
046	994-81060-254	HEX. HOLE BUTTON SCREW 6X25S	2	P216351 -
048	442-33699-20	COVER BRACKET, 26 DIA.	1	P216351 -
049	441-37380-20	SAFETY COVER, CE	1	P216351 -
050	445-37380-20	SAFETY COVER HOLDER	1	P216351 -
051	447-37380-20	COVER GUARD	1	P216351 -
052	797-37380-21	KNIFE	1	P216351 -
054	994-14050-121	SCREW 5X12/S	1	P216351 -
056	991-01050-011	HEX. NUT 5	1	P216351 -

