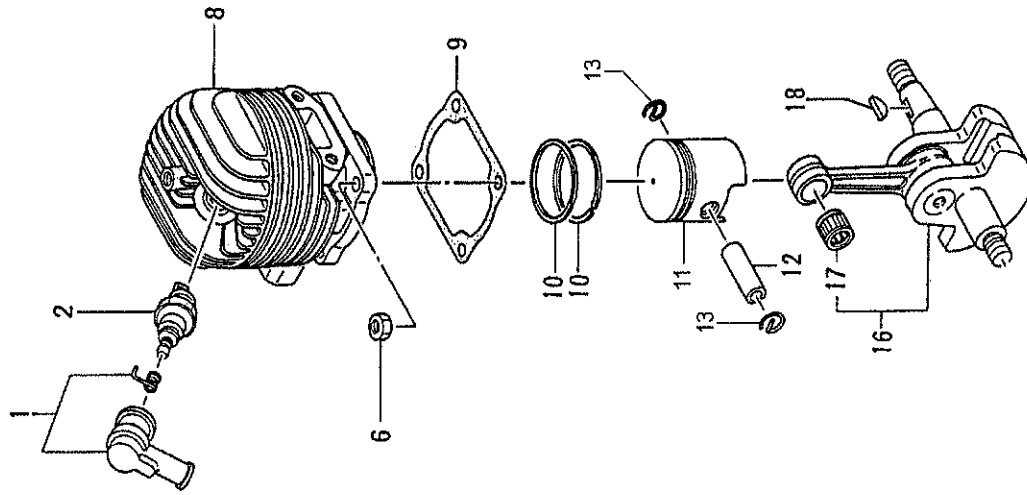


S08

RB100EF

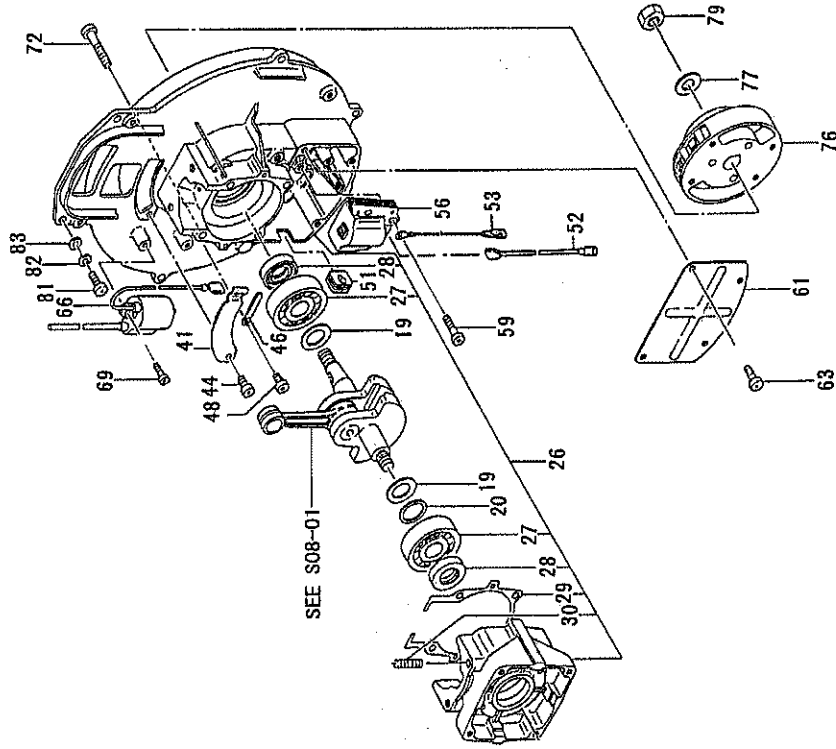
Serial No.

S08-01 RB100EF CYLINDER/PISTON/CRANK SHAFT



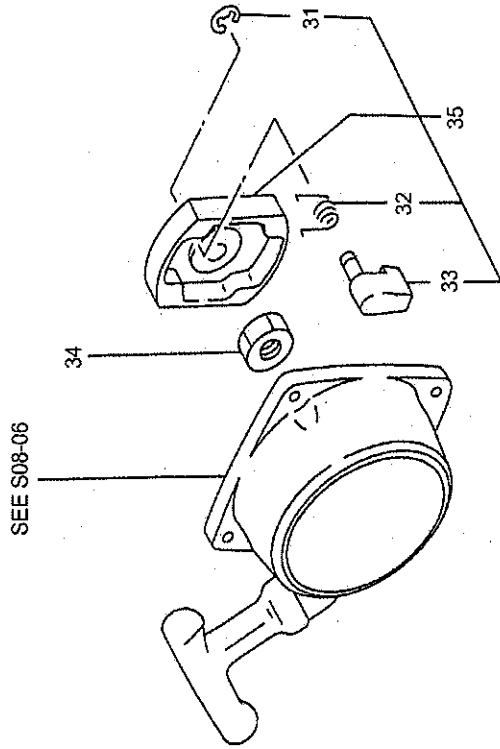
REF. NUMBER	PARTS NUMBER	DESCRIPTION	Q'TY	SERIAL NUMBER
001	668-7468	SPARK PLUG CAP ASSY	1	
002	668-4584	SPARK PLUG BMR7A	1	
006	669-5475	SPRING NUT 6	4	
008	668-5550	CYLINDER	1	
009	668-5727	CYLINDER GASKET	1	
010	668-6128	PISTON RING	2	
011	668-5940	PISTON COMP.	1	
012	668-6007	PISTON PIN 10X30	1	
013	668-6032	PISTON PIN CIRCLIP	2	
016	668-6194	CRANK SHAFT COMP.	1	
017	669-5596	NEEDLE BRG F1010B 1.4X8	1	
018	668-6457	WOOD-RUFF KEY 3X13X5	1	

S08-02 RB100EF CRANK CASE



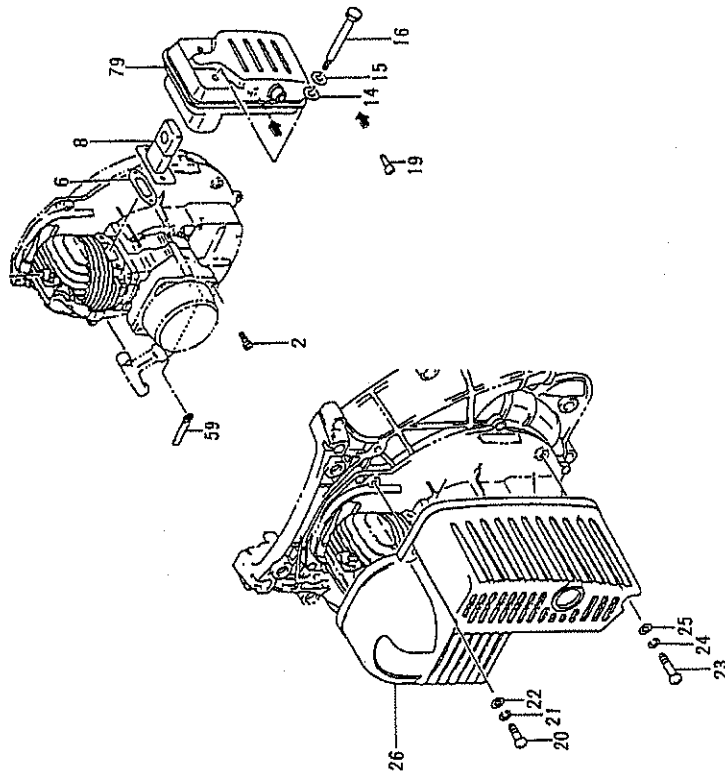
REF. NUMBER	PARTS NUMBER	DESCRIPTION	Q'TY	SERIAL NUMBER
019	668-6464	CRANK SHAFT WASHER	2	
020	668-6476	CRANK SHAFT SHIM 0.05	V	
020	668-6477	CRANK SHAFT SHIM 0.10	V	
020	668-6478	CRANK SHAFT SHIM 0.15	V	
020	668-6479	CRANK SHAFT SHIM 0.20	V	
020	668-6480	CRANK SHAFT SHIM 0.30	V	
026	668-6563	CRANK CASE ASS'Y	1	
027	669-5572	BALL BEARING #6303ZZ, 47	2	
028	669-5648	OIL SEAL UE17307	2	
029	668-6716	CRANK CASE GASKET	1	
030	668-6778	STUD BOLT 6X26	4	
041	669-2263	CASE PLATE	1	
044	669-5333	SCREW 5X10/S	1	
046	668-8004	CORD CLAMP COMP.	1	
048	669-5319	SCREW 5X10/P	1	
051	668-8050	GROMMET	1	
052	668-7863	STOP CORD, B230M	1	
053	668-8454	CORD B 230M	1	
056	668-7509	EXCITER COMP.	1	
059	669-5422	SCREW 5X22/W/S	2	
061	668-7983	COIL COVER	1	
063	669-5333	SCREW 5X10/S	4	
066	668-7692	IGNITION COIL COMP.	1	
069	669-5373	SCREW 4X15PS	2	
072	669-5500	HEX.HOLE BOLT 6X35/S	4	
076	668-7390	MAGNETO ROTOR COMP.	1	
077	669-5185	SMALL WASHER 10	1	
079	669-5138	NUT 10	1	
081	669-4888	SCREW 5X15	6	
082	668-4662	S.WASHER 5	6	
083	668-4864	SMALL WASHER 5	6	

S08-03 RB100EF STARTER PULLEY



REF. NUMBER	PARTS NUMBER	DESCRIPTION	Q'TY	SERIAL NUMBER
031	668-4683	STOP RING E-5	1	
032	669-3345	STARTER PAWL SPRING	1	
033	669-3302	STARTER PAWL	1	
034	669-5139	SMALL NUT 10	1	
035	669-3395	STARTER PULLEY	1	

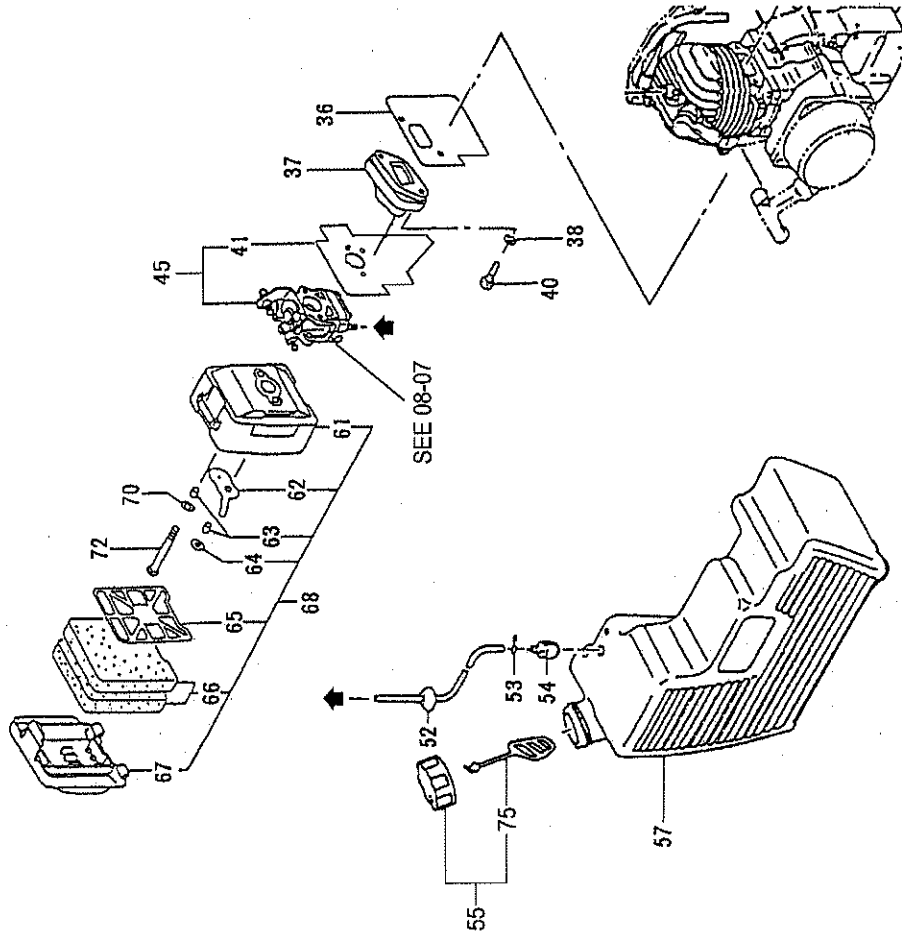
S08-04 RB100EF ENGINE-1



REF. NUMBER	PARTS NUMBER	DESCRIPTION	QTY	SERIAL NUMBER
002	668-4967	SCREW	4	
006	669-2742	MUFFLER GASKET	1	
008	669-2642	MUFFLER PIPE COMP.	1	
014	669-2884	MUFFLER SPECIAL GASKE	2	
015	668-4611	WASHER M8	2	
016	669-2881	MUFFLER BOLT	2	
019	669-5399	SCREW 6X12/PS	1	
020	669-4891	SCREW 5X18	2	
021	668-4662	S.WASHER 5	2	
022	668-4864	SMALL WASHER 5	2	
023	669-4934	SCREW 6X20	1	
024	669-5219	S.WASHER 6	1	
025	669-5183	SMALL WASHER 6	1	
026	669-2786	MUFFLER PROTECTOR A	1	
059	668-8004	CORD CLAMP COMP.	1	
079	669-2557	MUFFLER COMP.	1	

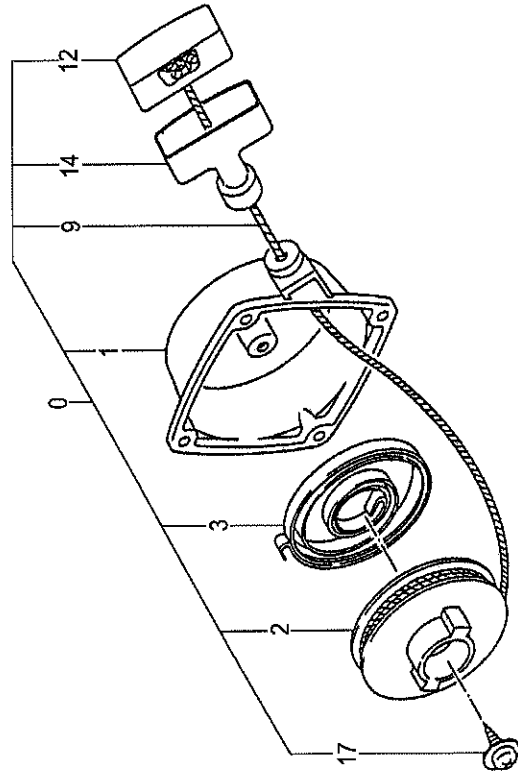
S08-05

RB100EF ENGINE-2



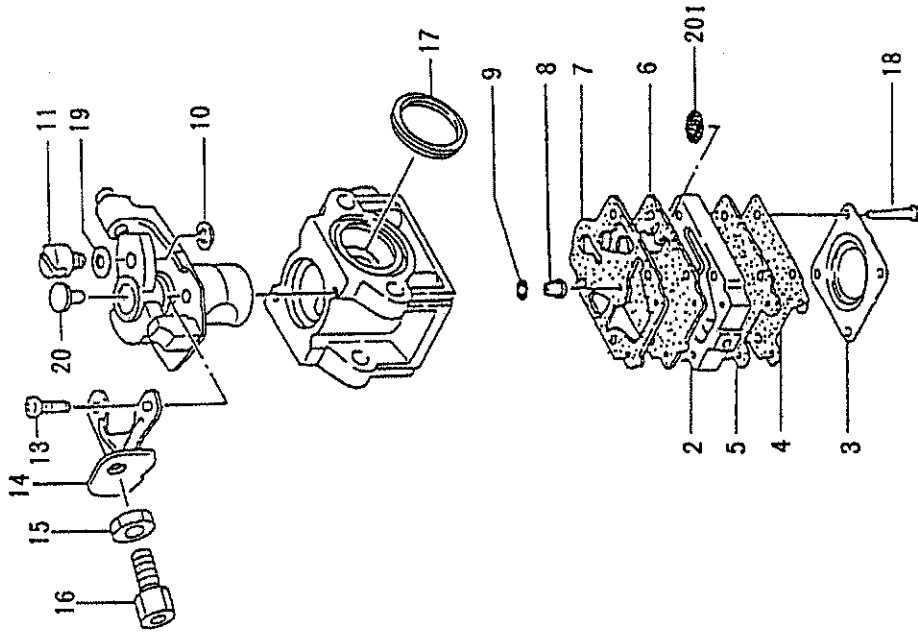
REF. NUMBER	PARTS NUMBER	DESCRIPTION	Q'TY	SERIAL NUMBER
036	668-9888	INLET MANIFOLD GASKET	1	
037	668-9958	CARBURETOR INSULATOR	1	
038	668-4864	SMALL WASHER 5	2	
040	669-5343	SCREW 5X25/S	2	
041	668-4615	CARBURETOR GASKET	1	
045	669-0478	CARBURETOR ASS'Y PN	1	
052	668-8172	FUEL PIPE ASS'Y 3X5X280	1	
053	669-2311	CLIP 5.2	1	
054	669-2273	PUMP FILTER BODY ASS'Y	1	
055	669-1736	TANK CAP D ASSY, ORANG	1	
057	669-1543	FUEL TANK COMP.	1	
061	669-0105	AIR CLEANER BODY	1	
062	669-1252	CHOKE VALVE	1	
063	668-4858	COLLAR	2	
064	668-4859	SPACER	1	
065	668-4860	BLOW OVER CHECK BOAR	1	
066	668-4861	CLEANER SPONGE	2	
067	669-0153	CLEANER CAP	1	
068	669-0028	AIRCLEANER ASSY, CAA-37	1	
070	668-4864	SMALL WASHER 5	2	
072	669-5353	SCREW 5X57/S	2	
075	668-4625	TANK CAP CHAIN	1	

S08-06 RB100EF RECOIL STARTER



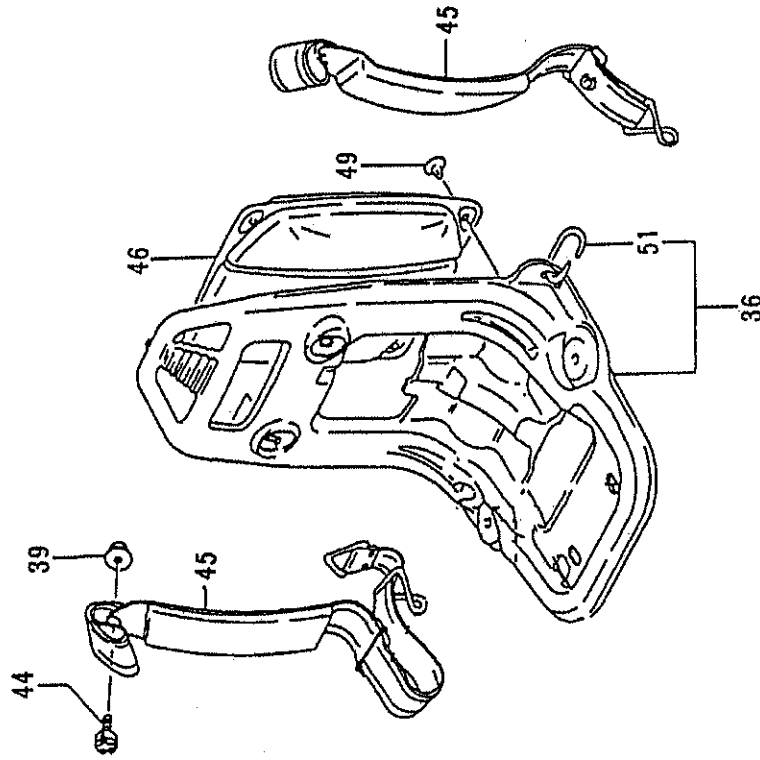
REF. NUMBER	PARTS NUMBER	DESCRIPTION	Q'TY	SERIAL NUMBER
000	669-2970	RECOIL STARTER BODY AS	1	
001	669-3025	RECOIL STARTER BODY CO	1	
002	669-3007	STARTER ROPE REEL	1	
003	669-3114	RECOIL SPRING	1	
009	669-3165	STARTER ROPE	1	
012	669-3232	STARTER HANDLE	1	
014	669-3607	STARTER HANDLE CAP	1	
017	669-3634	SET SCREW	1	

S08-07 RB100EF CARBURETOR



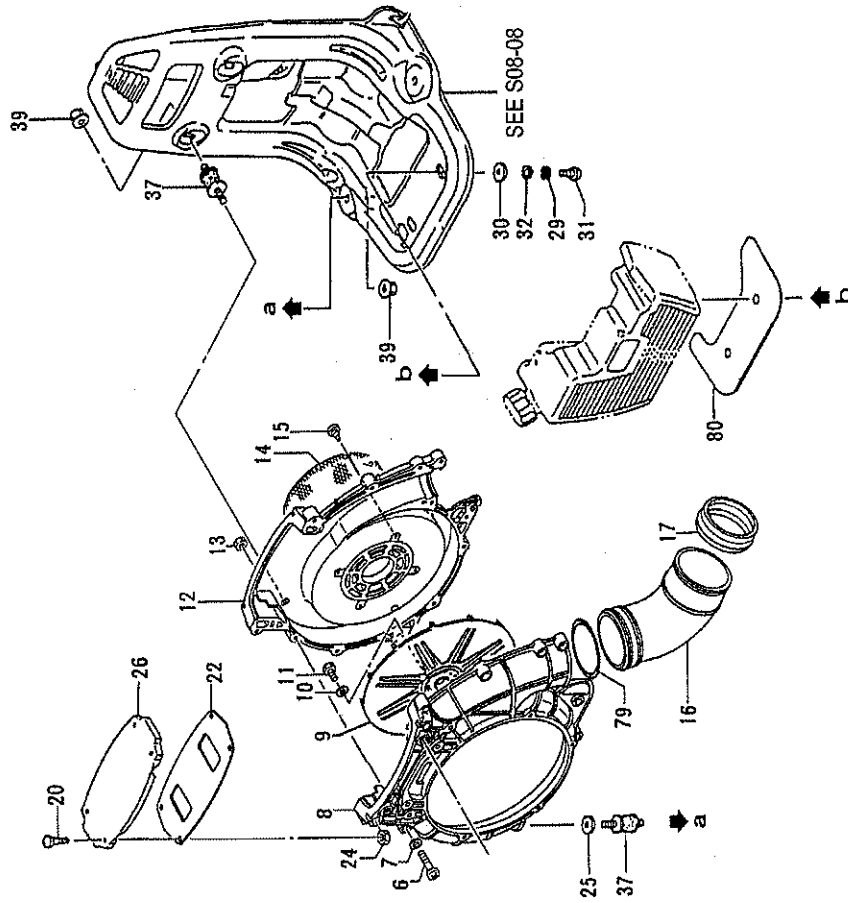
REF. NUMBER	PARTS NUMBER	DESCRIPTION	QTY	SERIAL NUMBER
002	669-1432	PUMP BODY COMP.	1	
003	668-5222	DIAPHRAGM COVER	1	
004	669-0827	METERING DIAPHRAGM CO	1	
005	668-5220	DIAPHRAGM PACKING	1	
006	668-4693	PUMP DIAPHRAGM	1	
007	669-1457	PUMP GASKET	1	
008	669-1853	MAIN JET #48	1	
009	668-4695	O-RING	1	
010	668-4696	STOP RING	1	
011	668-4697	SWIVEL	1	
013	668-4870	THROTTLE SET SCREW	2	
014	668-4873	CABLE ADJUSTER STAY	1	
015	669-2005	CABLE ADJUST NUT	1	
016	668-4871	CABLE ADJUSTER	1	
017	668-4875	CLEANER PACKING	1	
018	669-1312	SET SCREW	4	
019	668-4874	THRUST WASHER	1	
201	668-4700	INLET SCREEN	1	

S08-08 RB100EF FRAME



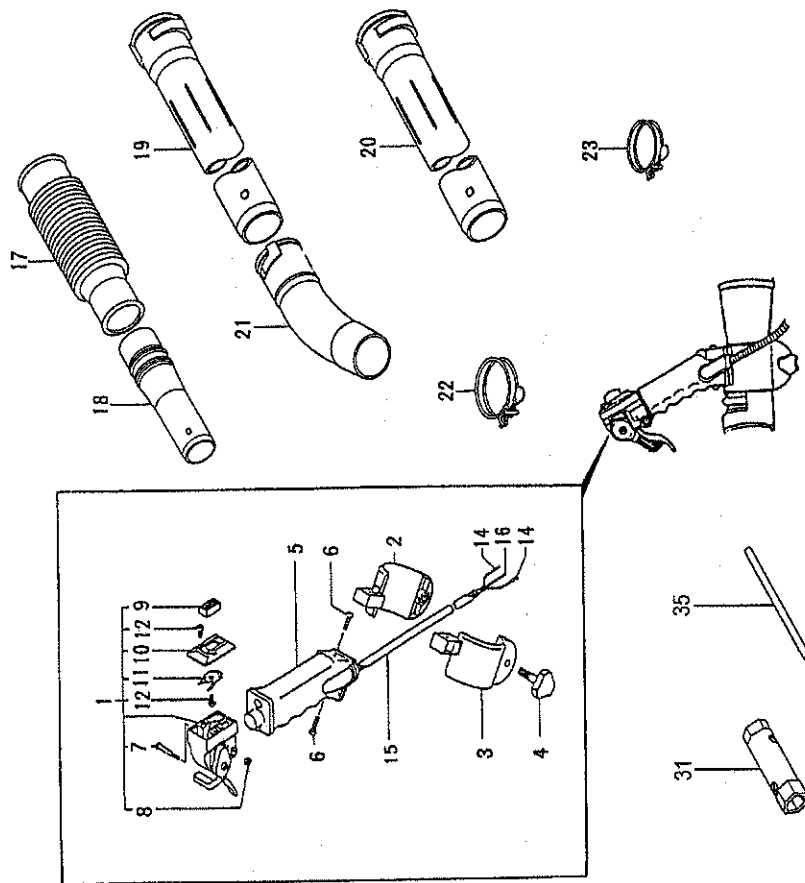
REF. NUMBER	PARTS NUMBER	DESCRIPTION	QTY	SERIAL NUMBER
036	668-5803	FRAME COMP., BLACK	1	
039	668-5862	SEPCIAL NUT 6	2	
044	669-4961	TRUSS SCREW 6X16	2	
045	668-5819	SHOULDER BELT COMP.	2	
046	668-5812	CUSHION PAD	1	
049	668-6241	FASTENER	4	
051	668-6140	HOLDING RING	2	

S08-09 RB100EF BLOWER



REF. NUMBER	PARTS NUMBER	DESCRIPTION	QTY	SERIAL NUMBER
006	669-4901	SCREW 5X35	13	
007	668-4864	SMALL WASHER 5	13	
008	668-5600	FAN CASE E COMP. OR	1	
009	668-7170	FAN	1	
010	669-5221	S. WASHER 6	3	
011	669-4991	BOLT 6X30	3	
012	668-5634	FAN CASE S	1	
013	669-5120	NUT 5	13	
014	668-6260	PROTECTION NET	1	
015	669-5254	TAPPING SCREW 5X20	4	
016	668-8423	BLOW PIPE	1	
017	668-6784	PIPE BAND	1	
020	669-4940	SCREW 6X30	4	
022	669-1701	OIL SHEET GASKET	1	
024	668-4792	NUT M6	4	
025	668-5863	SPECIAL NUT 6	2	
026	668-6319	FAN CASE COVER	1	
029	669-5219	S. WASHER 6	2	
030	668-5855	SPECIAL WASHER 3.2	2	
031	669-4932	SCREW 6X18	2	
032	668-4639	WASHER 6	2	
037	668-5907	CUSHION RUBBER	4	
039	668-5862	SEPCIAL NUT 6	4	
079	669-5686	O-RING V-70	1	
080	669-1957	FUEL TANK MOUNTING BAS	1	

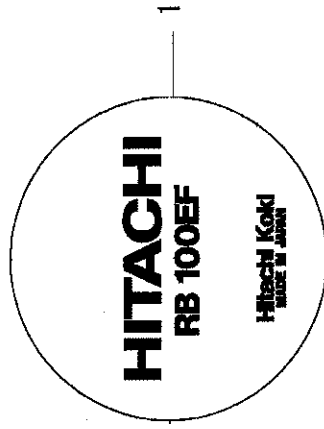
S08-10 RB100EF THROTTLE LEVER / TOOL



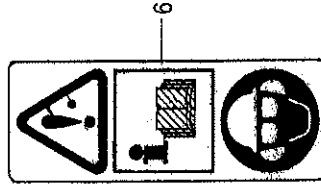
REF. NUMBER	PARTS NUMBER	DESCRIPTION	QTY	SERIAL NUMBER
001	668-5669	THROTTLE LEVER ASSY	1	
002	668-6054	LEVER BRACKET A	1	
003	668-6137	LEVER BRACKET B	1	
004	668-9263	HANDLE KNOB COMP.	1	
005	668-8297	GRIP	1	
006	669-5248	TAPPING SCREW 5X20	2	
007	669-5456	SCREW 5X25, BLACK	1	
008	669-5174	SELF-LOCK NUT 5, BLACK	1	
009	668-7515	STOP SWITCH	1	
010	668-8374	STOP SWITCH BASE	1	
011	668-8385	STOP SWITCH SPRING	1	
012	669-5275	TAPPING SCREW 3X8	3	
014	668-7892	CORD, B960M	2	
015	668-4717	PROTECTION TUBE 7X870L	1	
016	669-3893	THROTTLE WIRE COMP. 12	1	
017	668-6796	FLEXIBLE PIPE	1	
018	668-6814	SWIVEL PIPE	1	
019	668-6819	STRAIGHT PIPE (LONG)	1	
020	668-8953	STRAIGHT PIPE (SHORT)	1	
021	668-6824	BENT PIPE, BLACK	1	
022	668-6872	WIRE CLAMP 95	1	
023	668-6883	WIRE CLAMP 78	1	
031	669-3573	BOX SPANNER 17X19	1	
035	669-4822	HANDLE 8X120	1	

S08-11

RB100EF LABEL



IMPORTANT:
USE CORRECT MIXTURE
OF TWO-STROKE OIL
AND GASOLINE.



REF. NUMBER	PARTS NUMBER	DESCRIPTION	Q'TY	SERIAL NUMBER
001	669-4498	STARTER MARK RB100EF	1	
005	669-4572	CAUTION MARK C	1	
006	669-4560	CAUTION MARK	1	