

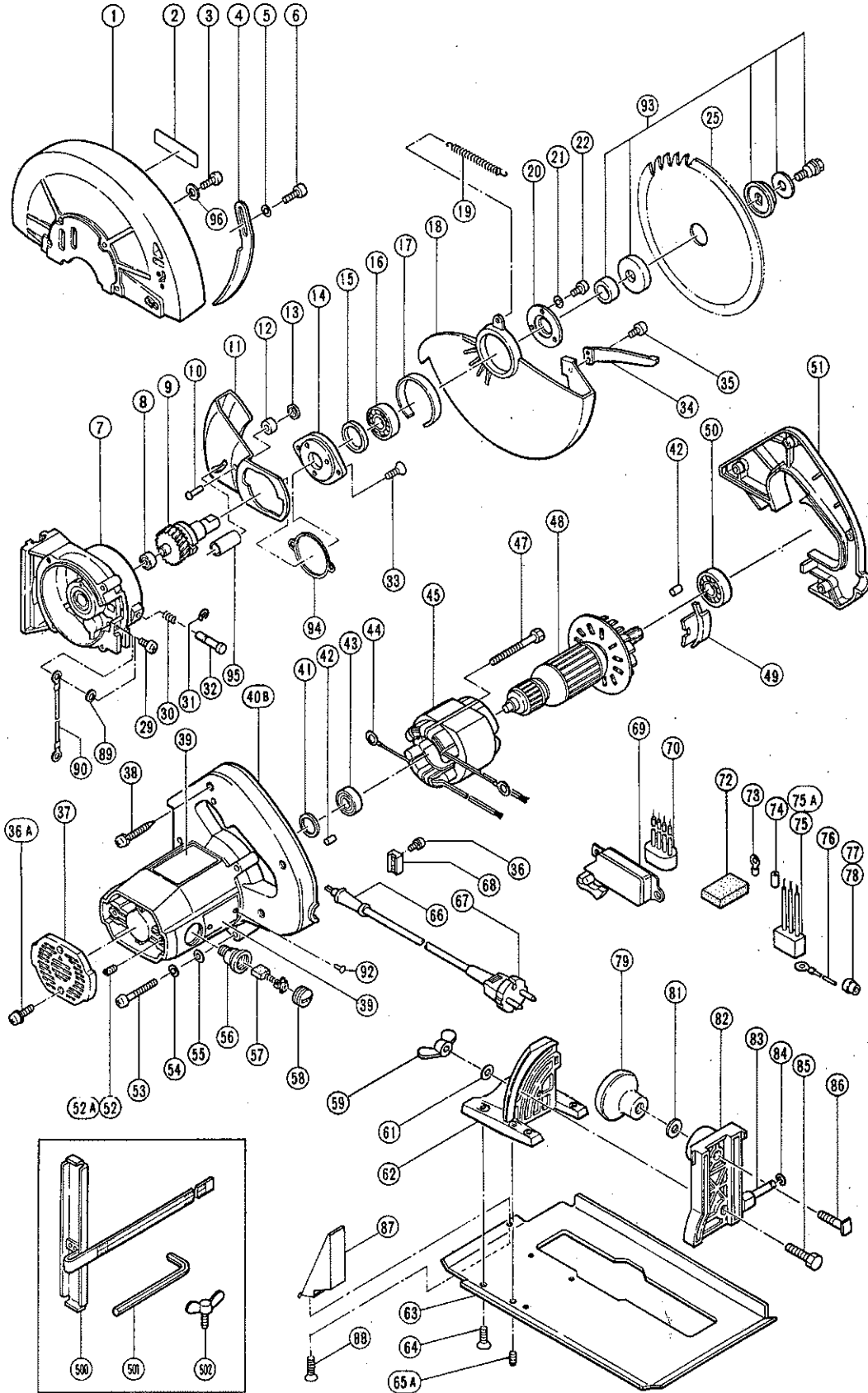
ELECTRIC TOOL PARTS LIST

■ CIRCULAR SAW

1987·11·30

Model PSM-7

PSM-7(E4)



PARTS

PSM-7(E4)

Item No.	Code No.	Part Name	Q'ty	Remarks
1	961940Z	Saw Cover	1	
2	957561	HITACHI Label	1	
3	949239	Machine Screw M5 x 16	4	(10 pcs.)
4	—	Riving Knife Ass'y	1	See alternative parts for M6
5	—	Super Lock Washer	2	See alternative parts for M6
6	—	Hexagon Socket Hd. Screw M6 x 16	2	See alternative parts for M6
7	961939Z	Inner Cover	1	
8	982027	Needle Bearing (HK1010)	1	
9	961923Z	Spindle Gear	1	
10	961836Z	Rivet D6	1	
11	—	Sub Cover	1	See alternative parts
12	961840Z	Cushion	1	
13	961837Z	Push Nut	1	
14	941048	Bearing Holder	1	
15	958063	Washer	1	
16	877027	Ball Bearing (600VVCM)	1	
17	961924Z	Bushing	1	
18	—	Safety Cover	1	See alternative parts
19	961930Z	Return Spring	1	
20	941049	Bearing Cap	1	
21	949451	Spring Lock Washer	3	for M3 (10 pcs.)
22	949203	Machine Screw M3 x 8	3	(10 pcs.)
25	—	Saw Blade 190 mm	1	See alternative parts
29	—	Machine Screw M4	2	See alternative parts
30	961803	Spring	1	
31	673489	E-Type Retaining Ring	1	for D5 Shaft
32	961802Z	Lock Pin	1	
33	949322	Flat Hd. Screw M4 x 10	2	(10 pcs.)
34	961931Z	Knob	1	
35	949216	Machine Screw M4 x 10	1	(10 pcs.)
36A	984750	Tapping Screw D4 x 16	4	w/Flange
37	961921Z	Tail Cover	1	
38	956636	Tapping Screw D4 x 25	4	
39	—	Name Plate	1	
40B	—	Housing Ass'y	1	See alternative parts
41	961947Z	Bearing Washer (C)	1	till 3, 1987
42	931701	Bearing Lock	2	
43	939497	Ball Bearing (6000VVCM)	1	
44	937623	Brush Terminal	2	
45	—	Stator Ass'y	1	See alternative parts
47	960251	Hexagon Hd. Tapping Screw D5 x 65	2	
48	—	Armature	1	See alternative parts
49	961920Z	Fan Guide	1	
50	939498	Ball Bearing (6201VVCM)	1	
51	961926Z	Handle Cover	1	
52	949368	Slotted Hd. Set Screw M4 x 10	2	till 10, 1985 (10 pcs.)
52A	938477	Hexagon Socket Hd. Set Screw M5 x 8	2	since 11, 1985
53	949249	Machine Screw M5 x 45	4	(10 pcs.)
54	949454	Spring Lock Washer	4	for M5 (10 pcs.)
55	949424	Washer	4	for M5 (10 pcs.)
56	—	Brush Holder	2	See alternative parts
57	—	Carbon Brush	2	See alternative parts
58	—	Brush Cap	2	See alternative parts

PARTS

PSM-7(E4)

Item No.	Code No.	Part Name	Q'ty	Remarks
59	—	Wing Nut	1	See alternative parts
61	949433	Bolt Washer	1	for M8 (10 pcs.)
62	961814Z	Angle Mount	1	
63	—	Base	1	See alternative parts
64	949332	Flat Hd. Screw M5 x 12	4	(10 pcs.)
65	961796	Hexagon Socket Hd. Set Screw M5 x 10	1	Seal Lock Screw
66	—	Cord Armor	1	See alternative parts
67	—	Cord	1	See alternative parts
68	960266	Cord Clip	1	
69	—	Switch	1	See alternative parts
70	—	Choke Coil	1	See alternative parts
72	—	Support	1	See alternative parts
73	—	Terminal	1	See alternative parts
74	—	Tube (D)		See alternative parts
75	—	Noise Suppressor	1	See alternative parts
76	—	Internal Wire	1	See alternative parts
77	—	Connector (50092)	2	See alternative parts
78	—	Connector (50091)	1	See alternative parts
79	961815Z	Knob	1	
81	949434	Bolt Washer	1	for M10 (10 pcs.)
82	961927Z	Slide Mount Ass'y	1	includes 83
83	961928Z	Cam Shaft	1	
84	968643	E-Type Retaining Ring	1	for D4 shaft
85	949628	Bolt M8 x 30	1	(10 pcs.)
86	961812Z	Special Bolt M10	1	
87	—	Guard Plate (A)	1	See alternative parts
88	—	Flat Hd. Screw M5 x 12	1	See alternative parts
89	—	Spring Lock Washer	2	See alternative parts
90	—	Internal Wire	1	See alternative parts
92	—	Rivet	2	See alternative parts
93	—	Washer (A) (B) Set	1	See alternative parts
94	—	Thrust Washer	1	See alternative parts
95	—	Sleeve	1	See alternative parts
96	949454	Spring Lock Washer	4	for M5 (10 pcs.)

ALTERNATIVE PARTS

Item No.	Code No.	Part Name	Q'ty	Remarks
4	961942Z	Riving Knife Ass'y	1	for Europe
5	948167	Super Lock Washer	1	for Europe
6	949755	Hexagon Socket Hd. Screw M6 x 16	2	for Europe (10 pcs.)
11	961922Z	Sub Cover	1	
	961950Z	Sub Cover	1	for U.S.A., Canada
	961963	Sub Cover	1	for N.Z.
18	961937Z	Safety Cover	1	for Europe
	961938Z	Safety Cover	1	

ALTERNATIVE PARTS

PSM-7(E4)

Item No.	Code No.	Part Name	Q'ty	Remarks
25	958045Z	Combination Saw Blade 190 mm	1	bore size 30 mm
	958046Z	Combination Saw Blade 190 mm	1	bore size 28.6 mm
	958047Z	Combination Saw Blade 190 mm	1	bore size 20 mm
	961962	Combination Saw Blade 190 mm		bore size 16 mm
	958112Z	Carbide-Tipped Saw Blade 190 mm	1	bore size 16 mm
29	949215	Machine Screw M4 x 8	2	for U.S.A. (10 pcs.)
40B	961934Z	Housing Ass'y	1	includes 52A, 56
	961935Z	Housing Ass'y	1	for Austria includes 52A, 56
	961936P	Housing Ass'y	1	for U.S.A. includes 52A, 56
	961951Z	Housing Ass'y	1	for Canada includes 52A, 56
45	961932C	Stator Ass'y 110V~115V	1	includes 44
	961932E	Stator Ass'y 220V~230V	1	includes 44
	961932F	Stator Ass'y 240V	1	includes 44
	961932G	Stator Ass'y 220V~230V	1	for S. Africa, Europe includes 44
	961932J	Stator Ass'y 240V	1	for U.K. includes 44
	961932K	Stator Ass'y 110V	1	for U.K. includes 44
	961932M	Stator Ass'y 220V	1	for France includes 44
	961932N	Stator Ass'y 220V~230V	1	for N.Z. includes 44
48	961933C	Armature 110V~115V	1	
	961933E	Armature 220V~230V	1	
	961933F	Armature 240V	1	
	961933J	Armature 240V	1	for U.K.
	961933K	Armature 110V	1	for U.K.
	961933M	Armature 220V	1	for France, Denmark, Finland, Sweden, Austria, Norway
56	938241	Brush Holder	2	
	983362	Brush Holder	2	for Austria
57	961946Z	Carbon Brush	2	Auto stop type (10 pcs.)
	999038	Carbon Brush	2	(10 pcs.)
58	945161	Brush Cap	2	
	961781	Brush Cap	2	for Austria
59	949312	Wing Nut M8		(10 pcs.)
	961843Z	Knob	1	for Switzerland, France
63	961929Z	Base	1	
	961948Z	Base	1	for Canada
	961966	Base	1	for U.S.A.
66	940778	Cord Armor D10.7	1	
	958049Z	Cord Armor D8.2	1	
67	500201Z	Cord 110V~240V	1	(Cord Armor D10.7)
	500234Z	Cord 110V~240V	1	for F.R. Germany, Italy (Cord Armor D8.2)
	500245Z	Cord 220V	1	for Syria (Cord Armor D10.7)
	500223Z	Cord 230V~240V	1	for Singapore (Cord Armor D10.7)
	500226Z	Cord 230V~240V	1	for Oceania (Cord Armor D8.2)

ALTERNATIVE PARTS

PSM-7(E4)

Item No.	Code No.	Part Name	Q'ty	Remarks
67	500231Z	Cord 230V~240V	1	for U.K., S. Africa (Cord Armor D8.2)
	500237Z	Cord 110V	1	for U.K. (Cord Armor D8.2)
	500247Z	Cord 220V	1	for Netherlands, Denmark, Finland, Sweden, Austria, Norway (Cord Armor D10.7)
	500248Z	Cord 220V	1	for Switzerland (Cord Armor D10.7)
	500399Z	Cord 115V	1	for U.S.A. (Cord Armor D10.7)
	500241Z	Cord 115V	1	for Canada (Cord Armor D10.7)
69	960285	Switch	1	
	953178	Double Pole Switch	1	(Safety Lock Type)
	961960	Double Pole Switch	1	(Safety Lock Type) for U.S.A.
70	500323	Choke Coil	1	for N.Z.
72	963243	Support	1	for Finland, Austria, N.Z., F.R. Germany, Denmark, Sweden
73	938108	Terminal	1	for N.Z., S. Africa, F.R. Germany, Denmark, Sweden
74	981373	Tube (D)	2	for N.Z., S. Africa, F.R. Germany, Denmark, Sweden, Austria
75	960283Z	Noise Suppressor	1	for Switzerland
	953126Z	Noise Suppressor	1	for N.Z.
	994211	Noise Suppressor	1	for S. Africa
75A	930030	Noise Suppressor	1	for U.K., Italy, France, F.R. Germany, Netherlands, Denmark, Sweden, Austria, Finland, Norway
76	981589	Internal Wire	1	for Switzerland
	986151	Internal Wire	1	for N.Z.
77	959141	Connector (50092)	2	for N.Z. (10 pcs.)
78	959140	Connector (50091)	3	for Switzerland, N.Z. (10 pcs.)
87	961961	Guard Plate (A)	1	for U.S.A., Canada
88	949332	Flat Hd. Screw M5 x 12	1	for U.S.A., Canada (10 pcs.)
89	949453	Spring Lock Washer	2	for M4 (10 pcs.)
90	961949Z	Internal Wire	1	for U.S.A.
92	949509	Rivet D2.5 x 3.2	2	for Canada (10 pcs.)
93	961957	Washer (A) (B) Set	1	for D30 Carbide-Tipped Saw Blade
	961958	Washer (A) (B) Set	1	for D16/30 Combination Saw Blade
	961959	Washer (A) (B) Set	1	for D20/28.6 Combination Saw Blade
94	961964	Thrust Washer	1	for N.Z.
95	961965	Sleeve	1	for N.Z.

