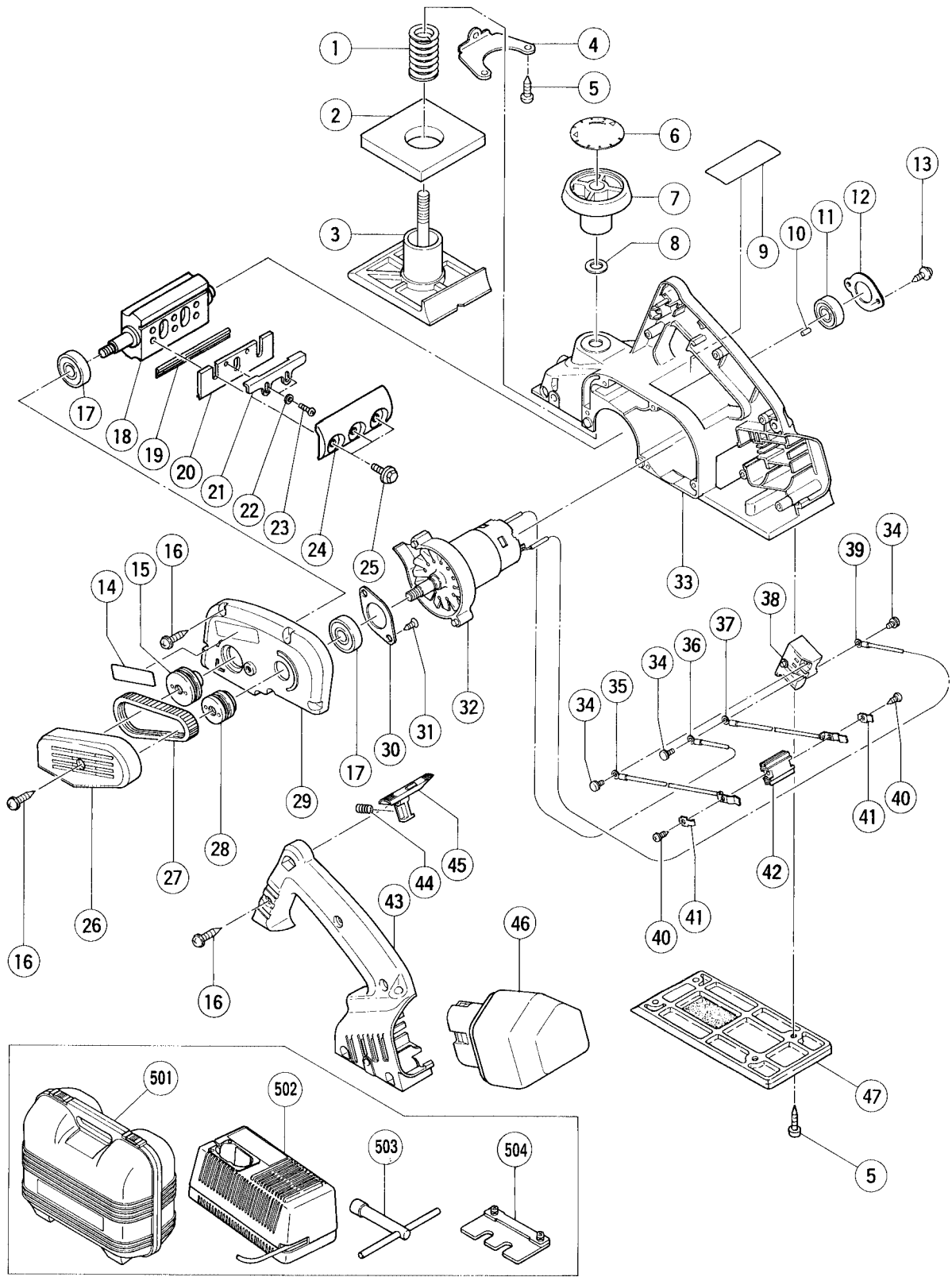


Assembly Diagram for P 20DA



PARTS

P 20DA

| ITEM NO. | CODE NO. | DESCRIPTION | NO. USED | REMARKS | |
|----------|----------|--|----------|----------------------|--|
| 1 | 958-709 | SPRING | 1 | | |
| 2 | 958-708 | RUBBER PACKING | 1 | | |
| 3 | 958-707 | FRONT BASE | 1 | | |
| 4 | 958-945 | SCREW PLATE | 1 | | |
| 5 | 954-004 | TAPPING SCREW D4X16 | 5 | | |
| 6 | | SCALE | 1 | | |
| * 7 | 317-271 | KNOB ASS'Y | 1 | INCLUD.6 | |
| * 7 | 317-274 | KNOB ASS'Y | 1 | INCLUD.6 FOR USA,CAN | |
| 8 | 949-434 | BOLT WASHER M10 (10 PCS.) | 1 | | |
| 9 | | NAME PLATE | 1 | | |
| 10 | 931-701 | BEARING LOCK | 1 | | |
| 11 | 600-0VV | BALL BEARING 6000VVCMP2S | 1 | | |
| 12 | 314-294 | BEARING COVER | 1 | | |
| 13 | 314-295 | FLAT HD. TAPPING SCREW D4X12 | 2 | | |
| 14 | | HITACHI LABEL | 1 | | |
| 15 | 314-297 | PULLEY (B) | 1 | | |
| 16 | 307-028 | TAPPING SCREW (W/FLANGE) D4X25 (BLACK) | 11 | | |
| 17 | 620-0VV | BALL BEARING 6200VVCMP2S | 2 | | |
| 18 | 316-397 | CUTTER BLOCK ASS'Y | 1 | INCLUD.11,17 | |
| 19 | 879-418 | PLANER BLADES (1 PAIR) | 2 | | |
| 20 | 314-740 | SET PLATE (B) (1 PAIR) | 2 | | |
| 21 | 314-754 | SET PLATE (A) | 2 | | |
| 22 | 949-423 | WASHER M4 (10 PCS.) | 4 | | |
| 23 | 949-213 | MACHINE SCREW M4X5 (10 PCS.) | 4 | | |
| 24 | 316-398 | BLADE HOLDER | 1 | | |
| 25 | 990-669 | BOLT (W/WASHER) M6X18 | 6 | | |
| 26 | 316-402 | BELT COVER (B) | 1 | | |
| 27 | 314-298 | BELT | 1 | | |
| 28 | 314-296 | PULLEY (A) | 1 | | |
| 29 | 314-302 | END BRACKET | 1 | | |
| 30 | 314-301 | BEARING COVER | 1 | | |
| 31 | 309-470 | TAPPING SCREW (W/FLANGE) D4X12 (BLACK) | 2 | | |
| 32 | 314-288 | MOTOR WITH FAN | 1 | | |
| 33 | 314-303 | HOUSING | 1 | | |
| 34 | 307-887 | MACHINE SCREW (W/WASHER) M3.5X6 | 3 | | |
| 35 | 314-290 | TERMINAL (BROWN) | 1 | | |
| 36 | 317-272 | INTERNAL WIRE | 1 | | |
| 37 | 314-291 | TERMINAL (BLUE) | 1 | | |
| 38 | 980-061 | SWITCH (1P SCREW TYPE) W/O LOCK | 1 | | |
| 39 | 317-273 | INTERNAL WIRE | 1 | | |
| 40 | 958-715 | TAPPING SCREW D4X10 | 2 | | |
| 41 | 996-118 | HOLDER SPRING | 2 | | |
| 42 | 308-037 | TERMINAL PIECE | 1 | | |
| 43 | 314-304 | HANDLE | 1 | | |
| 44 | 301-631 | SPRING (F) | 1 | | |
| 45 | 314-299 | KNOB | 1 | | |
| * 46 | 310-378 | BATTERY EB 12B (W/ENGLISH N.P.) | 1 | | |
| * 46 | 310-453 | BATTERY EB 12B (W/ENGLISH N.P.) | 1 | FOR USA,CAN | |
| 47 | 940-633 | REAR BASE | 1 | | |
| | | | | | |
| | | | | | |

