

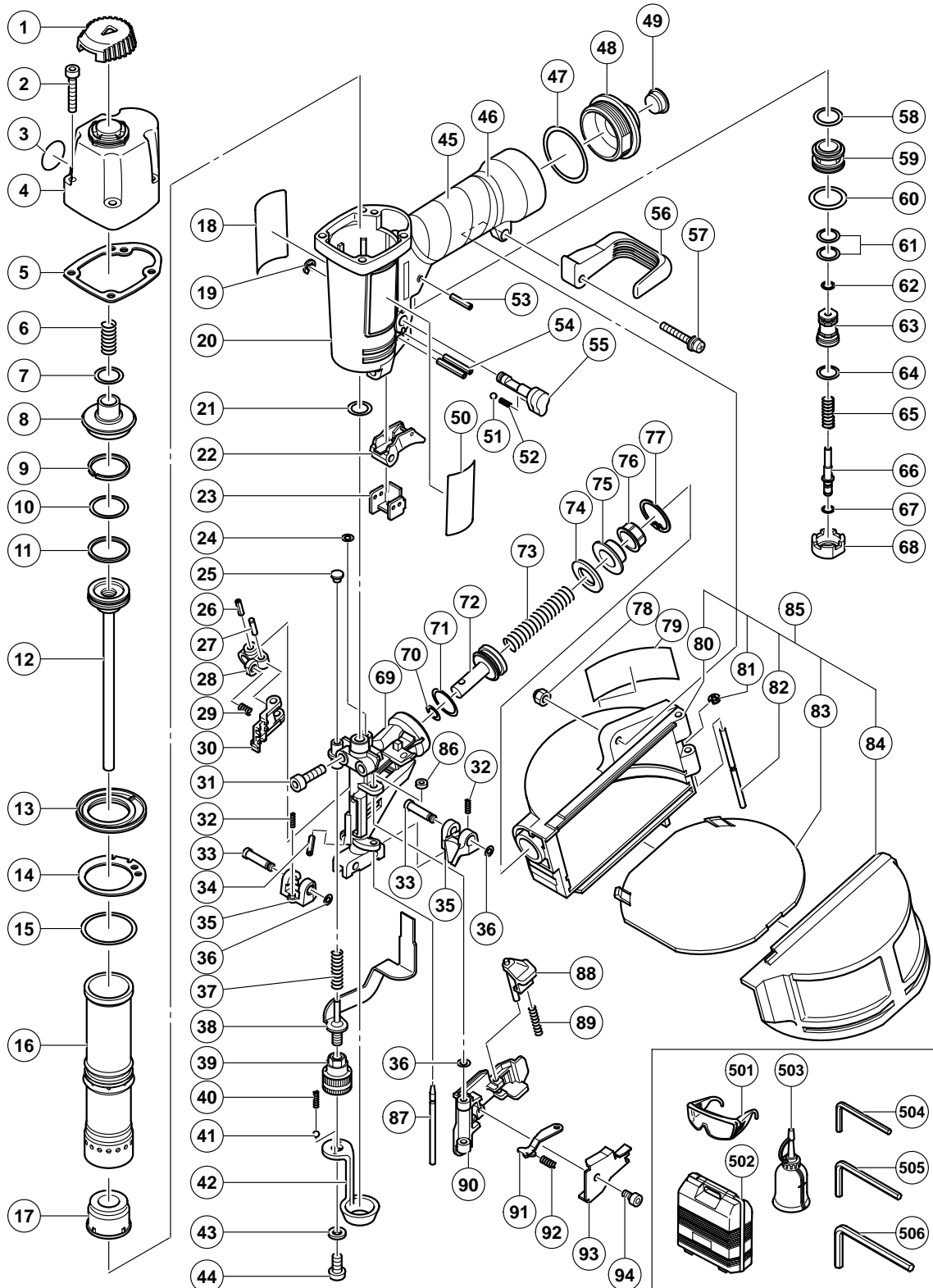
PNEUMATIC TOOL PARTS LIST

COIL NAILER

2005 • 1 • 20

Model NV 50AG2

(E1)



PARTS

NV 50AG2

ITEM NO.	CODE NO.	DESCRIPTION	NO. USED	REMARKS
1	880-191	TOP COVER	1	
2	949-822	HEX. SOCKET HD. BOLT M5X35 (10 PCS.)	4	
* 3	883-513	WARNING LABEL (A)	1	EXCEPT FOR H/V
* 4	880-448	EXHAUST COVER	1	
* 4	880-441	EXHAUST COVER	1	FOR H/V
5	880-196	GASKET (A)	1	
6	880-190	HEAD VALVE SPRING	1	
7	878-600	HEAD VALVE O-RING	1	
8	880-410	HEAD VALVE (A)	1	
9	878-596	PISTON RING	1	
10	880-195	PISTON O-RING	1	
11	880-867	BUMPER (A)	1	
12	882-101	PISTON	1	
13	881-103	CYLINDER PACKING	1	
14	880-187	CYLINDER WASHER (A)	1	
15	986-374	O-RING (P-32)	1	
16	880-402	CYLINDER	1	
17	880-403	PISTON BUMPER	1	
* 18	881-128	WARNING LABEL	1	EXCEPT FOR H/V
19	955-479	RETAINING RING (E-TYPE) FOR D6 SHAFT	1	
* 20	885-251	BODY ASS'Y	1	INCLUD. 45, 46
* 20	882-104	BODY ASS'Y	1	INCLUD. 45, 46 FOR H/V
21	875-638	O-RING (S-12)	1	
22	880-674	TRIGGER (A)	1	
23	880-194	PUSHING LEVER GUIDE	1	
24	873-093	O-RING (1AP-3)	1	
25	880-176	ADJUSTER STOPPER	1	
26	949-770	ROLL PIN D4X14 (10 PCS.)	1	
27	983-545	NEEDLE ROLLER	1	
28	878-132	FEEDER ARM	1	
29	878-340	FEEDER SPRING	1	
30	880-433	FEEDER	1	
31	949-660	HEX. SOCKET HD. BOLT M6X20 (10 PCS.)	2	
32	880-447	SPRING	2	
33	880-443	GUIDE SHAFT	2	
34	949-518	ROLL PIN D3X18 (10 PCS.)	1	
35	880-442	VERTICAL GUIDE	2	
36	874-436	O-RING (P-4)	3	
37	880-204	PUSHING LEVER SPRING	1	
38	880-171	PUSHING LEVER (B)	1	
39	880-383	ADJUSTER (B)	1	
40	880-175	ADJUSTER SPRING	2	
41	959-148	STEEL BALL D3.175 (10 PCS.)	2	
42	880-434	PUSHING LEVER (A)	1	
43	880-081	WASHER	1	
44	878-633	HEX. SOCKET HD. BOLT M6X14	1	
45	880-408	GRIP TAPE	1	
46	880-407	TAPE	2	
47	880-183	O-RING (I.D 37.2)	1	
* 48	880-379	CAP	1	
* 48	882-162	CAP	1	FOR H/V

PARTS

NV 50AG2

ITEM NO.	CODE NO.	DESCRIPTION	NO. USED	REMARKS
49	872-035	DUST CAP	1	
* 50		NAME PLATE	1	EXCEPT FOR H/V
51	959-155	STEEL BALL D3.97 (10 PCS.)	1	
52	982-454	SPRING (C)	1	
53	949-518	ROLL PIN D3X18 (10 PCS.)	1	
54	949-539	ROLL PIN D3X25 (10 PCS.)	2	
55	880-086	CHANGE KNOB (B)	1	
56	880-560	HOOK	1	
57	880-881	MACHINE SCREW (W/WASHERS) M5X30 (BLACK)	1	
58	877-699	HEAD VALVE O-RING (I.D 16.8)	1	
59	878-881	VALVE BUSHING (B)	1	
60	878-885	O-RING (S-18)	1	
61	878-925	O-RING (I.D 8.8)	2	
62	981-317	O-RING (S-4)	1	
63	880-672	VALVE PISTON (B)	1	
64	878-887	O-RING (I.D 11)	1	
65	878-884	PLUNGER SPRING	1	
66	880-673	PLUNGER (A)	1	
67	878-888	O-RING (I.D 1.8)	1	
68	880-671	VALVE BUSHING (A)	1	
69	880-430	NOSE	1	
70	872-645	O-RING (P-9)	1	
71	944-486	O-RING (1AP-20)	1	
72	878-579	FEED PISTON	1	
73	880-445	FEED SPRING	1	
74	877-711	BUMPER	1	
75	880-331	FEED PISTON COVER	1	
76	878-305	MAGAZINE BUSHING	1	
77	939-555	RETAINING RING FOR D28 HOLE (10 PCS.)	1	
78	877-371	NYLON NUT M5	1	
* 79	878-183	WARNING LABEL	1	EXCEPT FOR H/V
80	880-436	MAGAZINE	1	
81	872-971	RETAINING RING (E-TYPE) FOR D3 SHAFT	1	
82	880-439	HINGE PIN	1	
83	880-438	NAIL HOLDER	1	
84	880-437	MAGAZINE COVER	1	
85	880-435	MAGAZINE ASS'Y	1	INCLUD. 80-84
86	880-319	SHAFT RING	1	
87	880-326	NAIL GUIDE SHAFT	1	
88	878-103	GUIDE LOCK	1	
89	880-446	SPRING	1	
90	880-431	NAIL GUIDE	1	
91	880-164	NAIL STOPPER (B)	1	
92	878-575	STOPPER SPRING	1	
93	880-432	NAIL GUIDE COVER	1	
94	880-413	NYLOCK HEX. SOCKET HD. BOLT M4X10	1	

STANDARD ACCESSORIES

NV 50AG2

ITEM NO.	CODE NO.	DESCRIPTION	NO. USED	REMARKS
501	875-769	SAFETY GLASSES	1	
* 502	880-444	CASE	1	
* 502	882-105	CASE	1	FOR H/V
503	877-153	PNEUMATIC TOOL LUBRICANT (30CC)	1	
504	943-277	HEX. BAR WRENCH 3MM	1	
505	944-458	HEX. BAR WRENCH 4MM	1	
506	944-459	HEX. BAR WRENCH 5MM	1	

OPTIONAL ACCESSORIES

ITEM NO.	CODE NO.	DESCRIPTION	NO. USED	REMARKS
601	881-012	SEQUENTIAL TRIP MECHANISM SET	1	