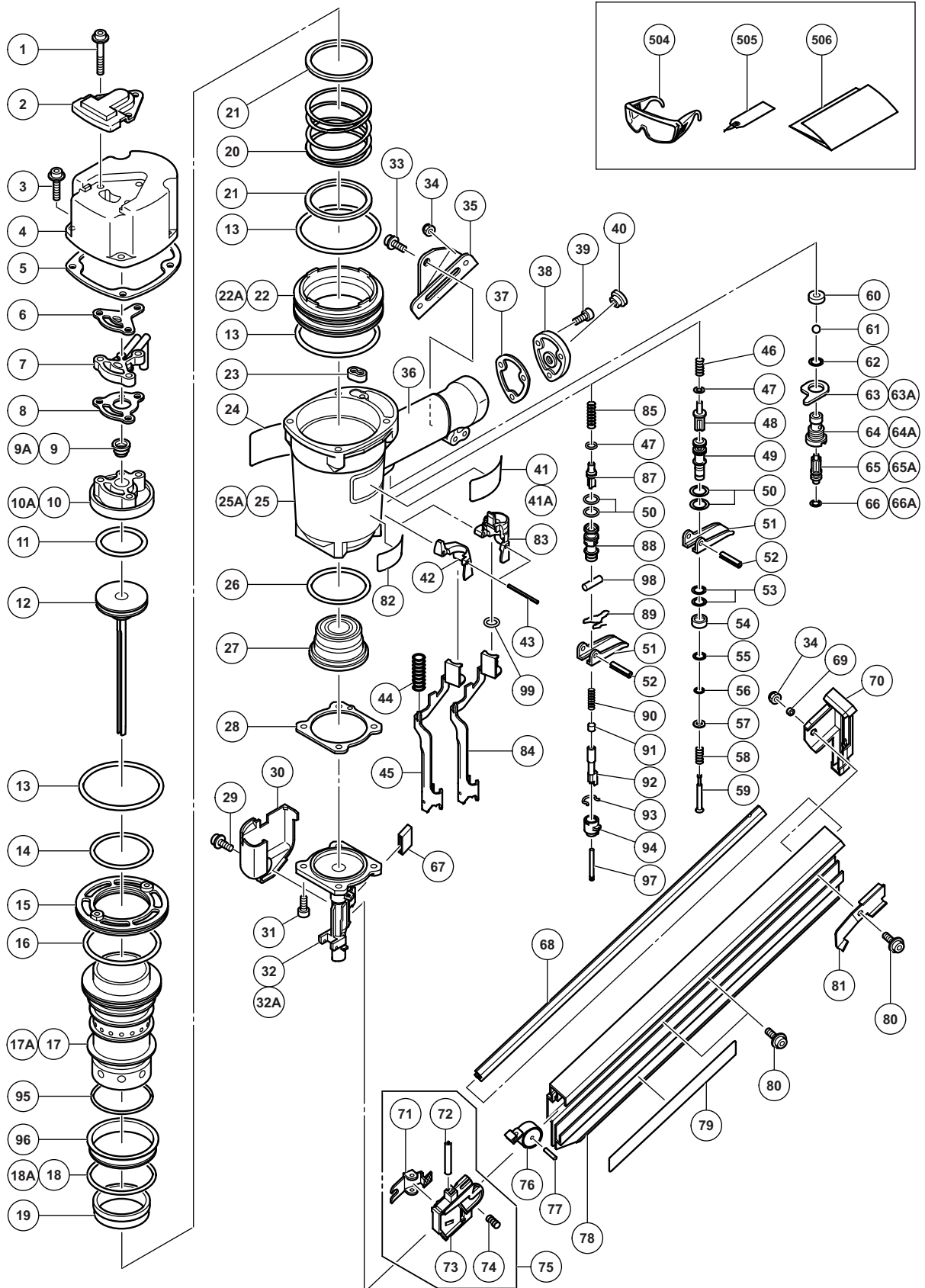


PNEUMATIC TOOL PARTS LIST

STRIP NAILER Model NR 83AA3

2011·6·27
(E2)



PARTS

NR 83AA3

ITEM NO.	CODE NO.	DESCRIPTION	NO. USED	REMARKS
1	883-509	HEX. SOCKET HD. BOLT (W/FLANGE) M6 X 45	3	
2	877-330	TOP COVER	1	
3	883-507	HEX. SOCKET HD. BOLT (W/SP. WASHER) M6 X 25	4	
4	877-324	EXHAUST COVER	1	
5	877-325	GASKET (B)	1	
6	877-329	GASKET (F)	1	
7	877-328	EXHAUST PIECE	1	
8	877-854	GASKET (C)	1	
* 9	884-110	EXHAUST VALVE (ORANGE)	1	
* 9A	887-774	EXHAUST VALVE	1	FOR MODEL (S)
* 10	877-307	HEAD CAP AND GASKET SET	1	INCLUD. 8
* 10A	887-769	HEAD CAP AND GASKET SET	1	INCLUD. 8 FOR MODEL (S)
11	877-368	O-RING (1AP-48)	1	
12	883-510	PISTON	1	
13	877-316	O-RING (S-90)	3	
14	877-312	CYLINDER O-RING (I.D 63.1)	1	
15	877-318	CYLINDER PLATE	1	
16	877-313	CYLINDER O-RING (I.D 79.3)	1	
* 17	884-068	CYLINDER	1	
* 17A	887-762	CYLINDER	1	FOR MODEL (S)
* 18	877-314	CYLINDER O-RING (I.D 69.3)	1	
* 18A	878-863	O-RING (S-70)	1	FOR MODEL (S)
19	877-317	CYLINDER RING	1	
20	877-321	CYLINDER SPRING	1	
21	877-322	BASE WASHER	1	
* 22	877-310	CYLINDER GUIDE	1	
* 22A	887-763	CYLINDER GUIDE	1	FOR MODEL (S)
23	877-327	GASKET (G)	1	
24	884-070	WARNING LABEL	1	
* 25	883-506	BODY ASS'Y	1	INCLUD. 36
* 25A	887-773	BODY ASS'Y	1	INCLUD. 36 FOR MODEL (S)
26	877-315	CYLINDER O-RING (I.D 63.9)	1	
27	883-511	PISTON BUMPER (B)	1	
28	877-334	GASKET (A)	1	
29	882-974	NYLOCK BOLT (W/FLANGE) M6 X 12	1	
30	883-493	GUARD	1	
31	883-492	NYLOCK HEX. SOCKET HD. BOLT M8 X 22	4	
* 32	883-490	NOSE	1	
* 32A	887-775	NOSE	1	FOR MODEL (S)
33	883-505	NYLOCK BOLT (W/FLANGE) M8 X 16	1	
34	963-837	NYLON NUT M6	3	
35	883-504	HANDLE ARM	1	
36		GRIP RUBBER	1	(SUPPLIED WITH ITEM NO. 605, 606)
37	877-331	GASKET (D)	1	
38	878-311	CAP	1	
39	949-658	HEX. SOCKET HD. BOLT M5 X 18 (10 PCS.)	3	
40	872-035	DUST CAP	1	
* 41		NAME PLATE	1	
* 41A		NAME PLATE	1	FOR MODEL (S)
42	884-119	GUARD (B)	1	

PARTS

NR 83AA3

ITEM NO.	CODE NO.	DESCRIPTION	NO. USED	REMARKS
43	884-025	ROLL PIN D3 X 45	1	
44	884-117	SPRING	1	
45	884-118	PUSHING LEVER	1	
46	875-643	PLUNGER SPRING	1	
47	874-436	O-RING (P-4)	1	
48	884-113	PLUNGER (A)	1	
49	884-111	VALVE BUSHING	1	
50	884-112	O-RING (I.D 10.7)	2	
51	876-203	TRIGGER	1	
52	949-866	ROLL PIN D3 X 30 (10 PCS.)	1	
53	872-645	O-RING (P-9)	2	
54	884-116	VALVE SLEEVE (A)	1	
55	876-316	O-RING (S-7)	1	
56	878-723	PLUNGER O-RING	1	
57	949-424	WASHER M5 (10 PCS.)	1	
58	884-115	PLUNGER (B) SPRING	1	
59	884-114	PLUNGER (B)	1	
60	878-734	VALVE PACKING	1	
61	875-645	URETHANE BALL (C) D7.14	1	
62	875-638	O-RING (S-12)	1	
* 63	875-644	VALVE PLATE	1	
* 63A	887-771	VALVE PLATE	1	FOR MODEL (S)
* 64	877-335	TRIGGER VALVE BUSHING	1	
* 64A	887-839	TRIGGER VALVE BUSHING	1	FOR MODEL (S)
* 65	878-121	TRIGGER PLUNGER	1	
* 65A		TRIGGER PLUNGER	1	FOR MODEL (S)
* 66	874-820	PLUNGER O-RING	1	
* 66A	887-840	O-RING	1	FOR MODEL (S)
67	883-491	NOSE RUBBER	1	
68	883-496	NAIL RAIL	1	
69	883-499	SLEEVE	1	
70	883-497	MAGAZINE COVER	1	
71	883-502	NAIL FEEDER (A)	1	
72	949-688	ROLL PIN D4 X 40 (10 PCS.)	1	
73	883-501	NAIL FEEDER (B)	1	
74	883-441	FEEDER SPRING	1	
75	883-500	NAIL FEEDER ASS'Y	1	INCLUD. 71-74
76	883-503	RIBBON SPRING	1	
77	943-364	NEEDLE ROLLER D4 X 20	1	
78	883-495	MAGAZINE	1	
79		LABEL	1	
80	984-443	HEX. SOCKET HD. BOLT (W/FLANGE) M6 X 12	3	
81	883-498	NAIL STOPPER	1	
* 82		LABEL	1	FOR MODEL (S)
* 83	887-697	VALVE GUARD	1	FOR MODEL (S)
* 84		PUSHING LEVER (D)	1	FOR MODEL (S)
* 85	887-724	PLUNGER SPRING	1	FOR MODEL (S)
* 87	887-725	PLUNGER	1	FOR MODEL (S)
* 88		VALVE BUSHING	1	FOR MODEL (S)
* 89	887-727	TRIGGER SPRING	1	FOR MODEL (S)

PARTS

NR 83AA3

ITEM NO.	CODE NO.	DESCRIPTION	NO. USED	REMARKS		
*	90	887-728	ROD SPRING	1	FOR MODEL (S)	
*	91	887-729	ROD (B)	1	FOR MODEL (S)	
*	92		ROD (A)	1	FOR MODEL (S)	
*	93	886-331	RATCHET SPRING	1	FOR MODEL (S)	
*	94	887-766	CHANGE KNOB	1	FOR MODEL (S)	
*	95	878-376	O-RING (I.D 59.6/W2.4)	1	FOR MODEL (S)	
*	96	887-767	GUIDE SLEEVE	1	FOR MODEL (S)	
*	97	887-732	ROD (C)	1	FOR MODEL (S)	
*	98	887-768	PIN	1	FOR MODEL (S)	
*	99	881-715	O-RING (S3)	1	FOR MODEL (S)	

STANDARD ACCESSORIES

NR 83AA3

ITEM NO.	CODE NO.	DESCRIPTION	NO. USED	REMARKS
504	875-769	SAFETY GLASSES	1	
505	884-072	CAUTION TAG	1	
506	884-120	LEAFLET	1	

OPTIONAL ACCESSORIES

ITEM NO.	CODE NO.	DESCRIPTION	NO. USED	REMARKS
601	877-153	PNEUMATIC TOOL LUBRICANT (30CC)	1	
602	874-042	PNEUMATIC TOOL LUBRICANT (120CC)	1	
603	876-212	PNEUMATIC TOOL LUBRICANT (1L)	1	
604	317-918	GREASE (ATTOLUB NO.2) 500G	1	
605	881-768	GRIP TAPE (A)	1	
606	880-407	TAPE	1	
607	884-069	FULL SEQUENTIAL ACTUATION MECHANISM KIT	1	

ITEM NO.	CODE NO.	DESCRIPTION	NO. USED	REMARKS	