

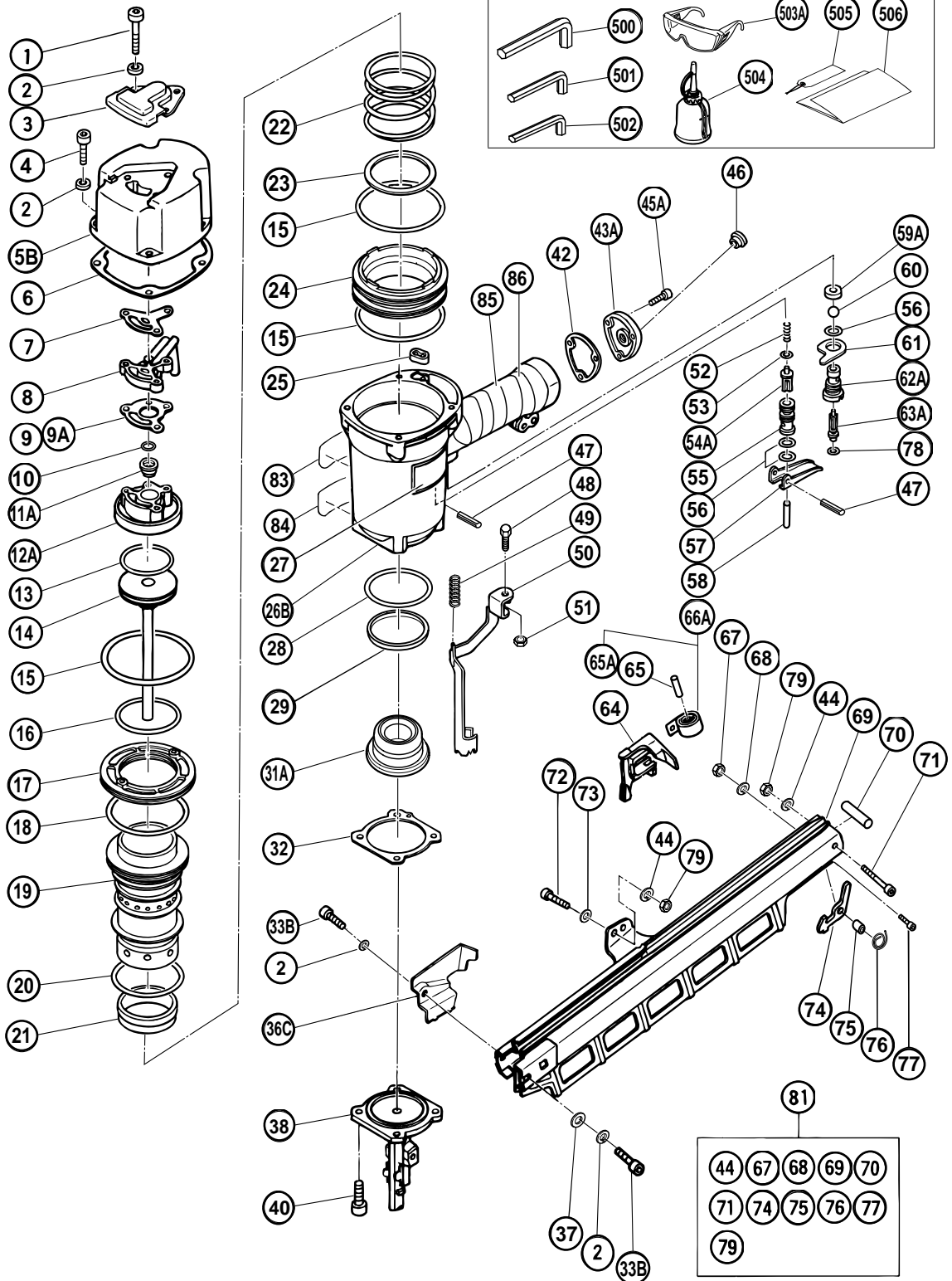
## PNEUMATIC TOOL PARTS LIST

■ STRIP NAILER

2000・9・29

Model NR 83A ROUND HEAD, PLASTIC COLLATION

(E7)



## PARTS

NR 83A

ITEM NO.	CODE NO.	DESCRIPTION	NO. USED	REMARKS
1	949-832	HEX. SOCKET HD. BOLT M6X45 (10 PCS.)	3	
2	949-455	SPRING WASHER M6 (10 PCS.)	9	
3	877-330	TOP COVER	1	
4	949-652	HEX. SOCKET HD. BOLT M6X25 (10 PCS.)	4	
5B	877-324	EXHAUST COVER	1	
6	877-325	GASKET (B)	1	
7	877-329	GASKET (F)	1	
8	877-328	EXHAUST PIECE	1	
9	877-326	GASKET (C)	1	TILL 6.1988
9A	877-854	GASKET (C)	1	SINCE 7.1988
10	872-821	VALVE O-RING	2	TILL 1.1987
11A	878-417	EXHAUST VALVE	1	
12A	877-307	HEAD CAP AND GASKET SET	1	INCLUD.9A
13	877-368	O-RING (1AP-48)	2	
14	877-323	PISTON	1	
15	877-316	O-RING (S-90)	3	
16	877-312	CYLINDER O-RING (I.D 63.1)	1	
17	877-318	CYLINDER PLATE	1	
18	877-313	CYLINDER O-RING (I.D 79.3)	1	
19	877-810	CYLINDER	1	
20	877-314	CYLINDER O-RING (I.D 69.3)	1	
21	877-317	CYLINDER RING	1	
22	877-321	CYLINDER SPRING	1	
23	877-322	BASE WASHER	1	
24	877-310	CYLINDER GUIDE	1	
25	877-327	GASKET (G)	1	
26B	877-835	BODY (B) ASS'Y	1	INCLUD.85,86
27		NAME PLATE	1	
28	877-315	CYLINDER O-RING (I.D 63.9)	1	
29	877-319	CYLINDER BUMPER	1	TILL 2.1987
31A	878-303	PISTON BUMPER	1	
32	877-334	GASKET (A)	1	
33B	878-426	HIGH TENSION BOLT M6X18	2	
36C	878-419	GUARD (A)	1	
37	877-402	WASHER	1	TILL 4.1984
38	877-390Z	NOSE	1	
40	949-760	HEX. SOCKET HD. BOLT M8X25 (10 PCS.)	4	
42	877-331	GASKET (D)	1	
43A	878-311	CAP	1	
44	949-454	SPRING WASHER M5 (10 PCS.)	3	
45A	949-658	HEX. SOCKET HD. BOLT M5X18 (10 PCS.)	3	
46	872-035	DUST CAP	1	
47	949-866	ROLL PIN D3X30 (10 PCS.)	2	
48	875-650	SAFETY BOLT	1	
* 49	877-365	SPRING	1	
* 49	878-423	SPRING	1	FOR EUROPE
50	877-391Z	PUSHING LEVER	1	
51	949-555	NUT M5 (10 PCS.)	1	
52	875-643	PLUNGER SPRING	1	
53	874-436	O-RING (P-4)	1	
54A	877-338	PLUNGER (A)	1	

\* : ALTERNATIVE PARTS

9 - 00



