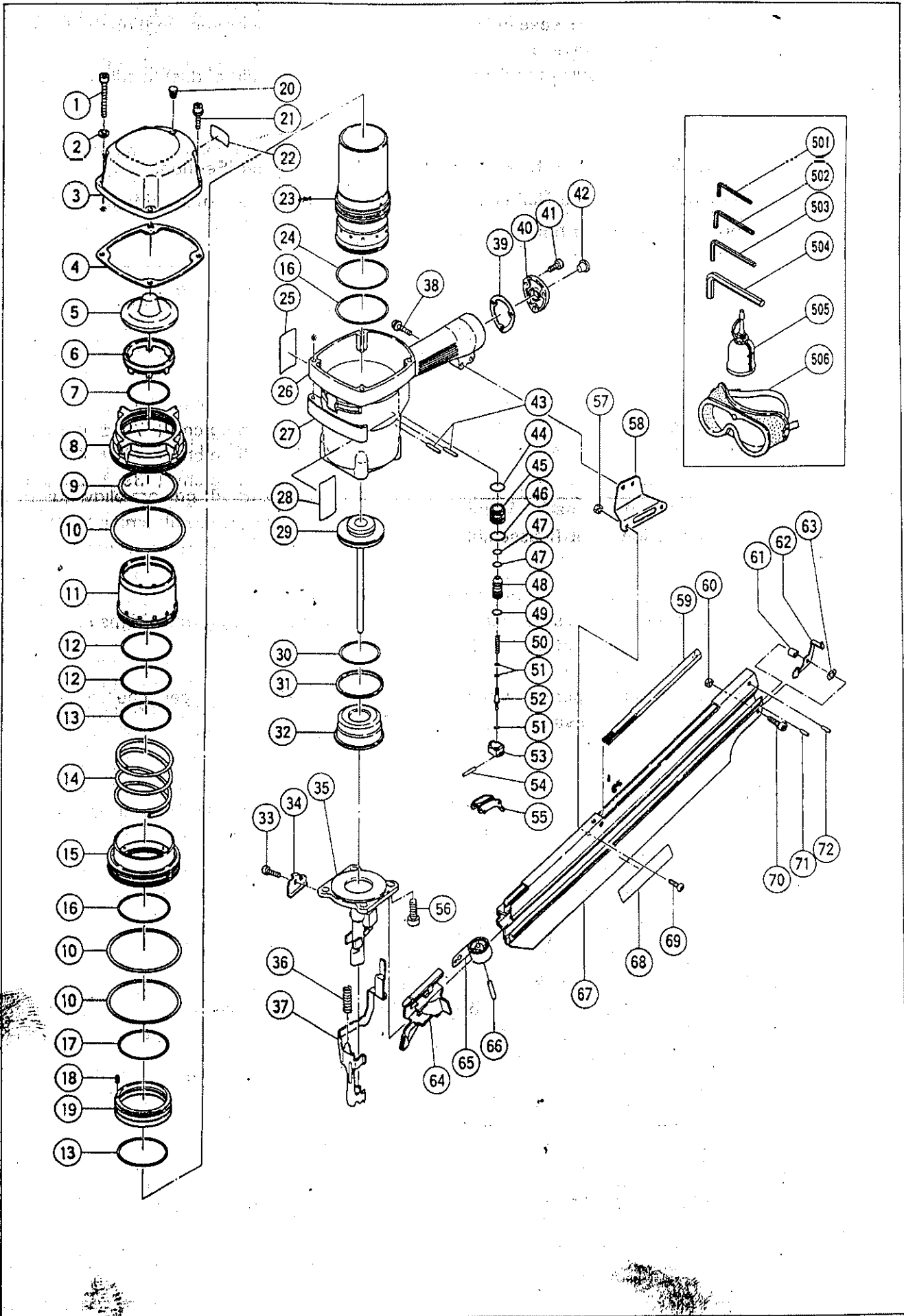
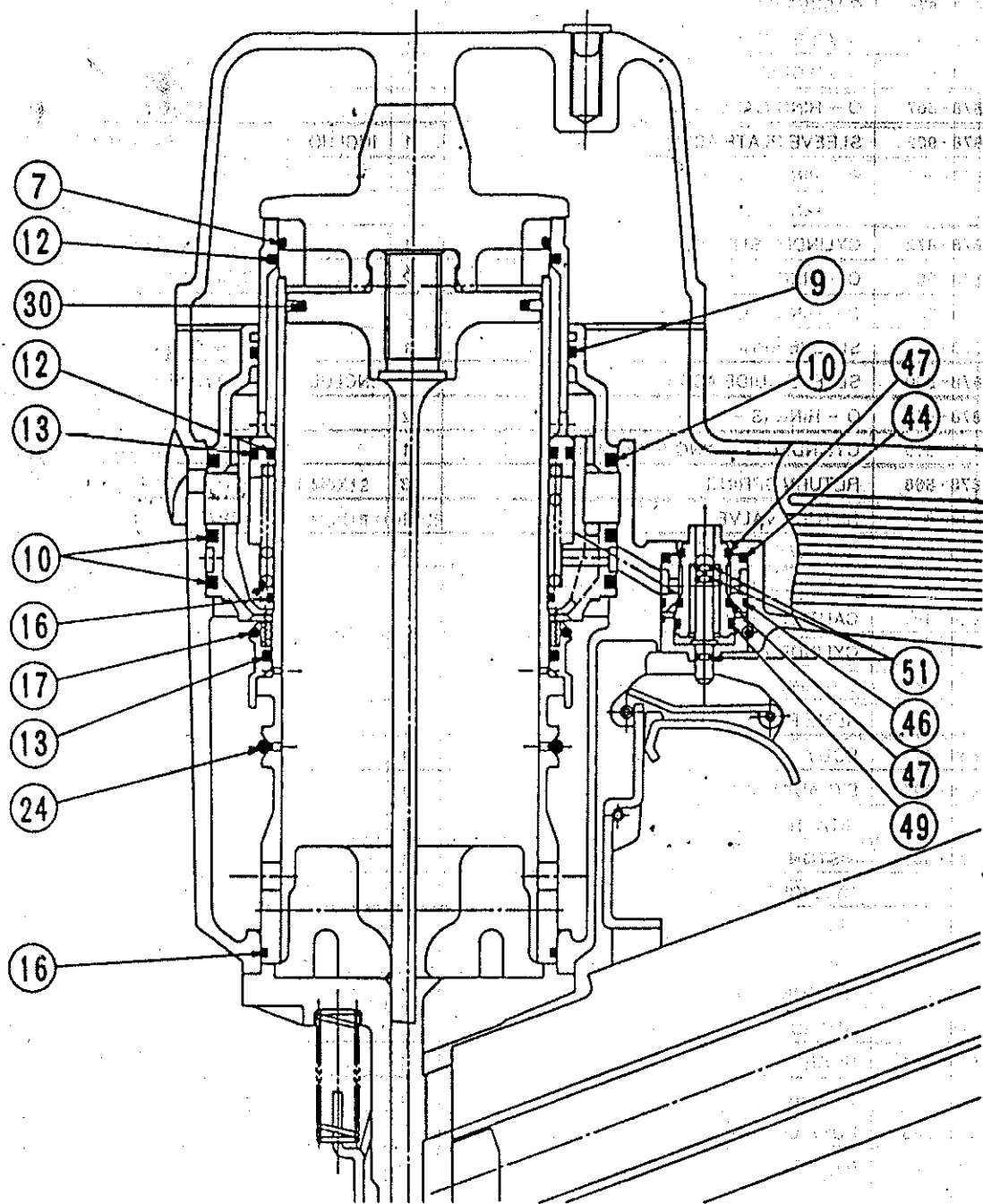


NR 100 F

vidéo





O - ring setting position

EXPLANATION OF PARTS

## PARTS

NR 100A

ITEM NO.	CODE NO.	DESCRIPTION	NO. USED	REMARKS
1	878-898	HEX. SOCKET HD. BOLT M6X60	2	
2	849-455	SPRING WASHER M6 (10 PCS.)	2	
3	880-468	UPPER COVER	1	
4	878-878	GASKET (B)	1	
5	878-905	HEAD BUMPER	1	
6	878-873	HEAD GUIDE	1	
7	878-867	O - RING (JASO2060)	1	
8	878-902	SLEEVE PLATE ASS'Y	1	INCLUD.10
9	878-885	O - RING (I.D.78.3)	1	
10	878-899	O - RING (I.D.94.4)	3	
11	878-872	CYLINDER SLEEVE	1	
12	878-895	O - RING	2	
13	878-886	O - RING (I.D.89.3)	2	
14	878-870	SLEEVE SPRING	1	
15	878-900	SLEEVE GUIDE ASS'Y	1	INCLUD.10
16	878-883	O - RING (S - 70)	2	
17	877-315	CYLINDER O - RING (I.D.83.8MM)	1	
18	878-868	RETURN SPRING	3	
19	878-879	RETURN VALVE	1	
20	880-469	SCREW CAP	1	
21	878-877	HEX. SOCKET HD. BOLT (W/FLANGE) M6X30	2	
22	878-499	CAUTION PLATE	1	
23	878-861	CYLINDER	1	
24	878-882	O - RING	1	
25		NEME PLATE	1	
26	880-465	BODY	1	
27	878-897	EXHAUST RUBBER	1	
28		HITACHI LABEL	1	
29	880-460	PISTON	1	
30	877-123	CYLINDER O - RING (A)	1	
31	878-841	PISTON RING	1	
32	878-842	PISTON BUMPER	1	
33	880-473	NYLOCK HIGH TENSION BOLT M6X16	1	
34	878-894	GUARD	1	
35	878-843	NOSE	1	
36	880-471	SPRING (A)	1	
37	878-845	PUSH LEVER	1	
38	880-474	NYLOCK FLANGE BOLT M6X16	2	
39	877-331	GASKET (D)	1	
40	877-367Z	CAP	1	
41	849-658	HEX. SOCKET HD. BOLT M5X18 (10 PCS.)	3	
42	872-035	DUST CAP	1	
43	849-539	ROLL PIN D3X25 (10 PCS.)	2	
44	877-699	HEAD VALVE O - RING (I.D.16.8MM)	1	
45	878-881	VALVE BUSHING (B)	1	
46	878-885	O - RING (S - 18)	1	
47	878-925	O - RING (I.D.8.8)	2	
48	878-922	VALVE PISTON	1	
49	878-887	O - RING (I.D.11)	1	
50	878-884	PLUNGER SPRING	1	
51	878-888	O - RING (I.D.1.8)	3	

\*: ALTERNATIVE PARTS

## PARTS

ITEM NO.	CODE NO.	DESCRIPTION	NO. USED	REMARKS
52	878-883	PLUNGER	1	
53	878-880	VALVE BUSHING (A)	1	
54	949-884	ROLL PIN D3X22 (10 PCS.)	1	
55	878-908	TRIGGER	1	
56	880-472	NYLOCK BOLT M10X30	4	
57	880-482	HEX. CAP U - NUT M6	2	
58	878-853	HANDLE ARM	1	
59	878-893	NAIL RAIL	1	
60	876-485	NYLON NUT M4	1	
61	877-398	COLLAR	1	
62	878-858	STOP LEVER	1	
63	877-397	STOPPER SPRING	1	
64	880-464	NAIL FEEDER	1	
65	880-475	RIBBON SPRING	1	
66	878-418	NEEDLE ROLLER	1	
67	880-463	MAGAZINE	1	
68	880-470	CAUTION PLATE (A)	1	
69	878-847	HEX. SOCKET HD. BOLT M6X12	2	
70	949-754	HEX. SOCKET HD. BOLT M4X18 (10 PCS.)	1	
71	949-770	ROLL PIN D4X14 (10 PCS.)	1	
72	949-488	ROLL PIN D4X18 (10 PCS.)	1	

## STANDARD ACCESSORIES

ITEM NO.	CODE NO.	DESCRIPTION	NO. USED	REMARKS
501	943-277	HEX. BAR WRENCH 3MM	1	
502	944-458	HEX. BAR WRENCH 4MM	1	
503	944-459	HEX. BAR WRENCH 5MM	1	
504	955-857	HEX. BAR WRENCH 8MM	1	
505	877-153	LUBRICANT OILER (30CC)	1	
506	875-789	PROTECTIVE GOGGLES	1	

\* ALTERNATIVE PARTS