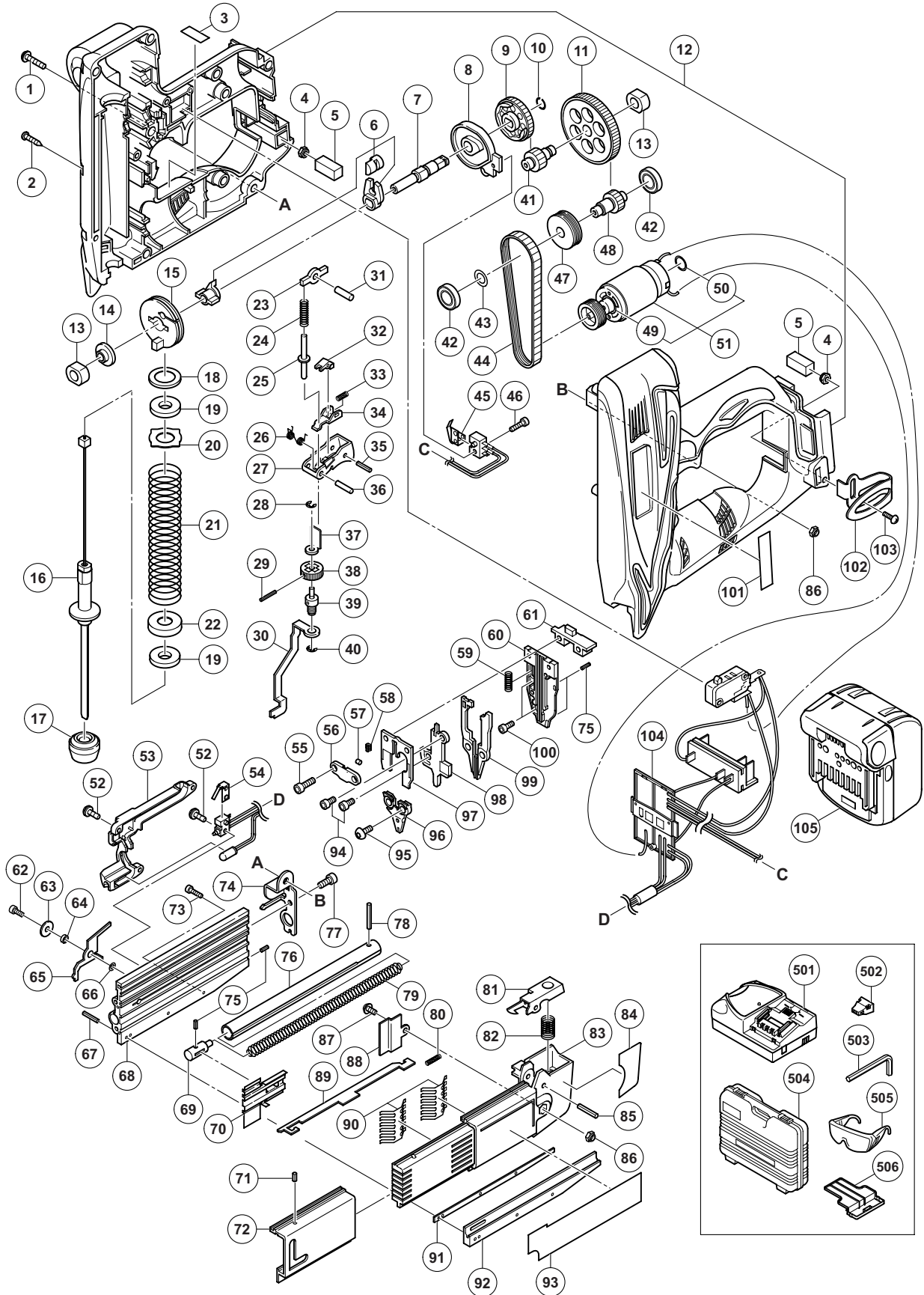


ELECTRIC TOOL PARTS LIST

CORDLESS PIN NAILER Model NP 14DSL

2012-9-24
(E1)



PARTS

NP 14DSL

ITEM NO.	CODE NO.	DESCRIPTION	NO USED	REMARKS
1	329-171	MACHINE SCREW (W/WASHER) M5 X 20(BLACK)	1	
2	313-687	TAPPING SCREW (W/FLANGE) D3 X 16 (BLACK)	10	
3	331-185	LABEL (A)	1	
4	327-002	LOCK NUT M4 (BLACK)	2	
5	331-186	PACKING	2	
6	333-987	GUIDE PIECE HOLDER SET	1	
7	329-158	MAIN SHAFT	1	
8	329-160	GUIDE RAIL	1	
9	329-157	FINAL GEAR	1	
10	329-159	RETAINING RING (D8)	1	
11	329-154	SECOND GEAR	1	
12	334-987	HOUSING (A).(B) SET	1	
13	329-156	METAL	2	
14	329-165	SLEEVE	1	
15	329-164	DRUM	1	
16	331-189	PLUNGER	1	
17	329-142	PLUNGER DAMPER	1	
18	330-144	DAMPER WASHER	1	
19	329-145	SPRING DAMPER (B)	2	
20	330-142	SPRING WASHER (A)	1	
21	329-146	SPRING	1	
22	330-143	SPRING WASHER (B)	1	
23	329-107	SWITCH LEVER (T)	1	
24	329-106	PLUNGER SPRING	1	
25	329-105	PLUNGER (T)	1	
26	329-104	TRIGGER SPRING	1	
27	329-100	TRIGGER	1	
28	874-759	RETAINING RING (E-TYPE) FOR D2.5 SHAFT	1	
29	880-093	ROLL PIN D2 X 16	1	
30	329-135	PUSHING LEVER (B)	1	
31	329-108	NEEDLE ROLLER	1	
32	882-896	TRIGGER PIECE	1	
33	329-102	TRIGGER ARM SPRING	1	
34	329-101	TRIGGER ARM	1	
35	881-951	ROLL PIN D2.5 X 16	1	
36	329-103	NEEDLE ROLLER (B)	1	
37	329-136	PUSHING LEVER (D)	1	
38	884-221	ADJUSTER	1	
39	329-134	PUSHING LEVER (C)	1	
40	872-971	RETAINING RING (E-TYPE) FOR D3 SHAFT	1	
41	329-155	SECOND PINION	1	
42	329-153	BALL BEARING 695VV	2	
43	326-150	WISE SHAFT	1	
44	329-151	BELT	1	
45	330-145	MICRO SWITCH HOLDER	1	
46	331-184	NYLOCK HEX. SOCKET HD. BOLT M3	1	
47	329-149	PULLEY (B)	1	
48	329-152	FIRST PINION	1	
49	996-407	O-RING (1AP-12)	1	
50	872-654	O-RING (1AP-10)	1	

PARTS

NP 14DSL

ITEM NO.	CODE NO.	DESCRIPTION	NO. USED	REMARKS
51	331-188	MOTOR ASS'Y	1	INCLUD. 49, 50
52	331-172	SCREW (W/WASHERS) M3 X 10	4	
53	331-174	LIGHT HOLDER	1	
54	335-025	MICRO SWITCH HOLDER (B)	1	
55	949-757	HEX. SOCKET HD. BOLT M5 X 20 (10 PCS.)	2	
56	331-183	LOCK PLATE	1	
57	331-181	NEEDLE PIN D3	1	
58	331-182	SPRING (L)	1	
59	329-133	PUSHING LEVER SPRING	1	
60	331-128	BLADE GUIDE	1	
61	331-141	MAGAZINE HOLDER	1	
62	878-614	NYLOCK HEX. SOCKET HD. BOLT M4 X 8	1	
63	329-140	WASHER (M)	1	
64	329-137	DISTANCE PIECE	1	
65	329-138	SWITCH ARM	1	
66	334-993	WASHER (A)	1	
67	878-791	ROLL PIN D2.5 X 12	1	
68	329-111	MAGAZINE	1	
69	329-125	FEEDER PIECE	1	
70	329-114	NAIL FEEDER	1	
71	329-128	ROLL PIN D2.5 X 5	1	
72	329-113	MAGAZINE COVER (B)	1	
73	318-832	SEAL LOCK HEX. SOCKET HD. BOLT M3 X 12	3	
74	329-120	MAGAZINE STAY	1	
75	880-585	ROLL PIN D2 X 6	4	
76	329-118	FEEDER GUIDE	1	
77	949-813	HEX. SOCKET HD. BOLT M4 X 12 (10 PCS.)	1	
78	949-863	ROLL PIN D2.5 X 18 (10 PCS.)	1	
79	329-115	FEED SPRING	1	
80	329-119	GUIDE BAR SPRING	6	
81	331-121	STOP LEVER	1	
82	329-126	BUSHING SPRING	1	
83	329-112	MAGAZINE COVER (A)	1	
84		CAUTION LABEL (B)	1	
85	949-685	ROLL PIN D3 X 20 (10 PCS.)	1	
86	877-371	NYLON NUT M5	2	
87	329-127	MACHINE SCREW (W/WASHER) M5 X 10 (BLACK)	1	
88	329-124	GUIDE BAR PLATE	1	
89	329-116	GUIDE BAR	6	
90	329-117	SPRING PLATE	2	
91	329-121	NAIL PLATE	1	
92	329-123	MAGAZINE GUIDE	1	
93		NAME PLATE	1	
94	949-818	HEX. SOCKET HD. BOLT M5 X 8 (10 PCS.)	2	
95	884-215	HEX. SOCKET HD. BOLT (W/BUTTON) M6 X 7	2	
96	329-131	NOSE	1	
97	331-108	GUIDE PLATE (B)	1	
98	331-107	GUIDE PLATE (A)	1	
99	331-132	PUSHING LEVER (A)	1	
100	331-109	LOW HEAD HEX. SOCKET BOLT M4 X 8	2	

