

Hitachi Power Tools

LIST NO. E003

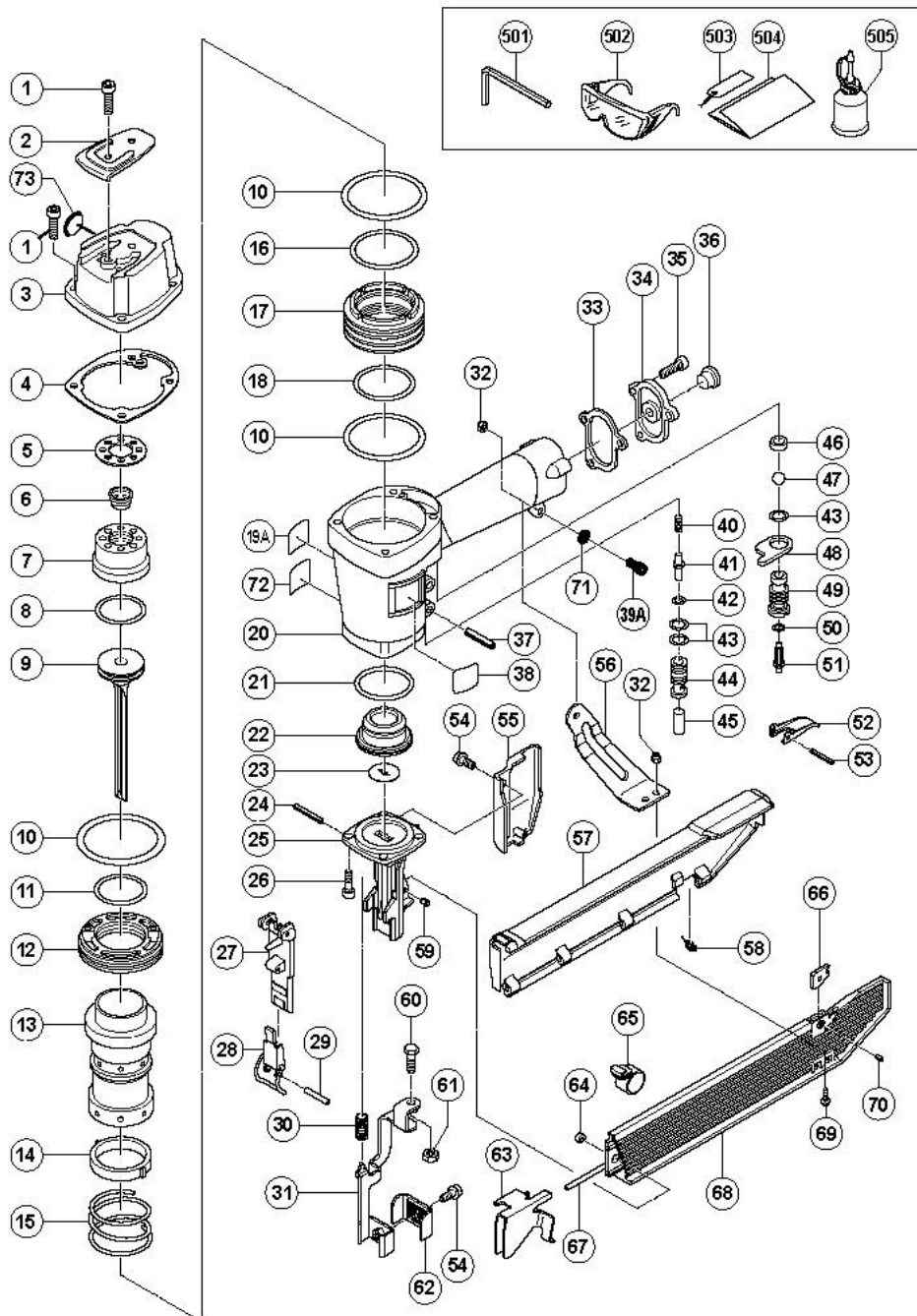
ELECTRIC TOOL PARTS LIST

■ STAPLER

2006 · 6 · 1

Model N 5008AC

(E1-2)



N5008AC

Pos. Nr.	Art. Nr.	Beschreibung	Stueck	Kommentar	Beschreibung
1	949-757	INBUSSCHRAUBE M5X20 (10ST)	6		HEX. SOCKET HD. BOLT M5X20 (10 PCS.)
2	876-179	DECKEL NV45AB	1		TOP COVER
3	877-917	VENTILDECKEL NV50A1	1		EXHAUST COVER
4A	885-794		1		GASKET
5	876-178		1		GASKET (C)
6	878-539	ABLASSVENTIL NT65A	1		EXHAUST VALVE
7	878-026		1		HEAD CAP
8	876-174	KOLBEN O-RING NV45AB/NV50A1	1		PISTON O-RING
9	883-716		1		PISTON
10A	885-793		3		O-RING (I.D. 64.5)
11	877-126	ZYLINDER O-RING (D) NV45AB/NV50A1	1		CYLINDER O-RING (D)
12	876-168	ZYLINDERPLATTE NV45AB/NV50A1	1		CYLINDER PLATE
13A	885-792		1		CYLINDER
14	876-167	ZYLINDERRING NV45AB/NV50A1	1		CYLINDER RING
15	876-172	ZYLINDERFEDER NV45AB/NV50A1	1		CYLINDER SPRING
16	877-123	ZYLINDER O-RING (A) NV45AB/NV50A1	1		CYLINDER O-RING (A)
17	877-122	ZYLINDERFÜHRUNG NV45AB u.a.	1		CYLINDER GUIDE
18	877-124	ZYLINDER O-RING NV45AB u.a.	1		CYLINDER O-RING (B)
19A	884-070		1		WARNING LABEL
20A	884-171		1	INCLUD GRIP RUBBER (SUPPLIED WITH ITEM)	BODY ASS'Y
020A	000-008D		0	"NO.602,603"	
21	877-125	ZYLINDER O-RING (C) NV45AB/NV50A1	1		CYLINDER O-RING (C)
22	883-711		1		PISTON BUMPER
23	883-712		1		BUMPER SHEET
					ROLL PIN

24	949-547		1		D4X36 (10 PCS.)
25	883-713		1		NOSE
26	878-181	INBUSSCHRAUBE M5X16 DH40MA u.a.	4		NYLOCK HEX. SOCKET HD. BOLT M5X16
27	883-721		1		BLADE GUIDE
28	883-722		1		LOCK LEVER
29	949-685	SPANNSTIFT D3X20 (10ST) NV90AF	1		ROLL PIN D3X20 (10 PCS.)
30	877-873	FEDER (B) N5008AA	1		SPRING (B)
31	883-714		1		PUSHING LEVER
32	877-371	NYLONMUTTER M5 NV83A/NR83A	3		NYLON NUT M5
33	877-131	PACKUNG (D) NV32AB	1		GASKET (D)
34	880-036	KAPPE NV45AB	1	TILL 11.2005	CAP
34A	885-795		1	SINCE 12.2005	CAP
35	949-821	INBUSSCHRAUBE M5X16 (10ST)	3		HEX. SOCKET HD. BOLT M5X16 (10 PCS.)
36A			1		AIR PLUG NPT 1/4
37	949-866	ROLLSTIFT D3X30 (10ST)	1		ROLL PIN D3X30 (10 PCS.)
38			1		NAME PLATE
39A	949-658	INBUSSCHRAUBE M5X18 (10ST)	1		HEX. SOCKET HD. BOLT M5X18 (10 PCS.)
40	875-643	TAUCHKOLBENFEDER NV83A u.a.	1		PLUNGER SPRING
41	878-542		1		PLUNGER (A)
42	877-705	TAUCHKOLBEN O-RING NC65AC u.a.	1		PLUNGER O- RING
43	875-638	O-RING (S-12) DV20V1/CS35B/u.a.	3		O-RING (S-12)
44	877-880		1		VALVE BUSHING
45	877-882		1		PLUNGER (B)
46	878-734	VENTILDICHTUNG NV83A/NR83A	1		VALVE PACKING
47	875-645	URETHANKUGEL (B) D7.14 NV83A/u.a	1		URETHANE BALL (C) D7.14
48	875-644	VENTILPLATTE NV83A u.a.	1		VALVE PLATE
49	877-335	SCHALTERDRUCKVENTIL NV83A/NR83A	1		TRIGGER VALVE BUSHING
		TAUCHKOLBEN O-RING			PLUNGER O-

50	874-820	NR83A/AA	1		RING
51	878-121	ABZUGKOLBEN NV83A u.a.	1		TRIGGER PLUNGER
52	876-203	HEBEL NV45AB/NV83A/NR83A	1		TRIGGER
53	949-866	ROLLSTIFT D3X30 (10ST)	1		ROLL PIN D3X30 (10 PCS.)
54	878-540		2		NYLOCK BOLT (W/FLANGE) M5X8
55	883-724		1		GUARD
56	883-723		1		HANDLE ARM
57	883-718		1		MAGAZINE COVER
58	881-043		1		COVER SPRING
59	881-044		1		PIN
60	875-650	SICHERHEITSBOLZEN NV83A u.a.	1		SAFETY BOLT
61	949-555	MUTTER M5 (10ST)	1		NUT M5 (10 PCS.)
62	883-715		1		PUSHING LEVER PIECE
63	883-720		1		STAPLE FEEDER
64	881-045		1		SHAFT RING
65	881-047		1		RIBBON SPRING
66	881-039		1		MAGAZINE PIECE
67	883-719		1		HINGE PIN
68	883-717		1	"INCLUD.66,70"	MAGAZINE ASS'Y
69	678-653		2		MACHINE SCREW (W/WASHERS) M5X14 (BLACK)
70	881-040	NADELROLLE D3X6 NV90AF	1		ROLL PIN D3X6
71	876-205	UNTERLEGSCHLEIBE NV45AB/NV50A1	1		WASHER
72	878-183	"AUFKLEBER ""WARNUNG"" DIV.NAGLER"	1	FOR EUROPE	WARNING LABEL
73	883-513		1	FOR EUROPE	WARNING LABEL(A)
501	944-458	INBUSSCHLÜSSEL D4(M5)	1		HEX. BAR WRENCH 4MM
502	875-769	SCHUTZBRILLE	1		SAFETY GLASSES

503			1		CAUTION TAG
504	882-414	PROSPEKT NV45AB	1		LEAFLET
505	877-153	ÖLKANNE (30CC) NV83A	1	FOR EUROPE	PNEUMATIC TOOL LUBRICANT (30CC)
601	876-762	EINZELSCHUSSVORRICHTUNG NV83A	1		SEQUENTIAL TRIP MECHANISM KIT
602	881-768	GRIFFBAND (A) NV50AE u.a.	1		GRIP TAPE (A)
603	880-407	BAND NV50AG u.a.	1		TAPE