

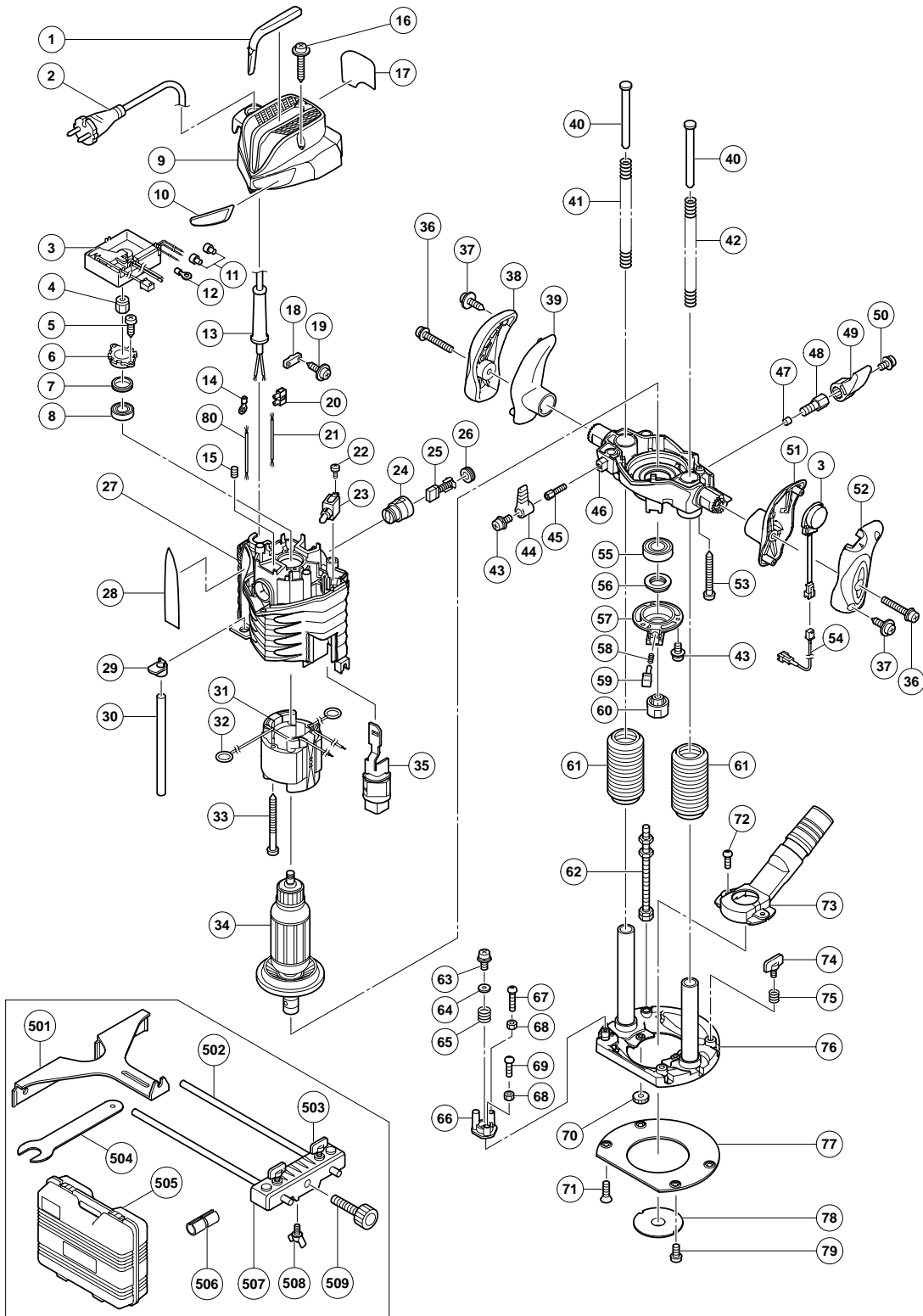
ELECTRIC TOOL PARTS LIST

ROUTER

2006 • 3 • 28

Model M 8V2

(E1)



PARTS

M 8V2

ITEM NO.	CODE NO.	DESCRIPTION	NO. USED	REMARKS
		HITACHI LABEL (B)	1	
*	2	500-234Z CORD	1	(CORD ARMOR D8.8)
*	2	500-247Z CORD	1	(CORD ARMOR D8.8) FOR FIN, NOR, SWE, DEN, AUT
*	2	500-241Z CORD	1	(CORD ARMOR D8.8) FOR USA, CAN
*	2	500-439Z CORD	1	(CORD ARMOR D8.8) FOR NZL, AUS
*	2	500-435Z CORD	1	(CORD ARMOR D8.8) FOR GBR (230V)
*	2	500-237Z CORD	1	(CORD ARMOR D8.8) FOR GBR (110V)
*	3	326-086 CONTROLLER PACKAGE 100V-120V	1	
*	3	326-092 CONTROLLER PACKAGE 230V-240V	1	
	4	307-093 MAGNET	1	
	5	954-017 TAPPING SCREW D4X12	2	
	6	326-079 BEARING BUSHING	1	
	7	323-420 RUBBER RING	1	
	8	608-VVM BALL BEARING 608VVC2PS2L	1	
	9	326-085 HEAD COVER	1	
	10	HITACHI LABEL (A)	1	
	11	959-140 CONNECTOR 50091 (10 PCS.)	2	
	12	930-804 TERMINAL M4.0 (10 PCS.)	1	
	13	953-327 CORD ARMOR D8.8	1	
*	14	980-063 TERMINAL	1	
*	14	930-804 TERMINAL M4.0 (10 PCS.)	1	FOR USA, CAN
	15	938-477 HEX. SOCKET SET SCREW M5X8	2	
	16	307-028 TAPPING SCREW (W/FLANGE) D4X25 (BLACK)	3	
	17	NAME PLATE	1	
	18	937-631 CORD CLIP	1	
	19	984-750 TAPPING SCREW (W/FLANGE) D4X16	2	
*	20	938-307 PILLAR TERMINAL	1	
*	20	958-308Z PILLAR TERMINAL (A)	1	FOR FIN, NOR, SWE, DEN, AUT
*	21	326-177 INTERNAL WIRE (BLUE)	1	
*	21	326-178 INTERNAL WIRE (WHITE)	1	FOR USA, CAN
*	21	326-180 INTERNAL WIRE (BLUE)	1	FOR GBR (110V)
	22	307-887 MACHINE SCREW (W/WASHER) M3.5X6	2	
	23	314-603 SWITCH (1P SOLDER TYPE)	1	
	24	981-586 BRUSH HOLDER	2	
	25	999-043 CARBON BRUSH (1 PAIR)	2	
	26	961-781 BRUSH CAP	2	
	27	326-093 HOUSING ASS'Y	1	INCLUD. 15, 24
*	28	326-090 SCALE	1	
*	28	326-094 SCALE	1	FOR NZL, AUS, GBR, USA, CAN
	29	326-084 MARKER	1	
	30	325-196 STOPPER POLE (A)	1	
*	31	340-675C STATOR ASS'Y 110V-120V	1	INCLUD. 32
*	31	340-675E STATOR ASS'Y 230V	1	INCLUD. 32
*	31	340-675F STATOR ASS'Y 240V	1	INCLUD. 32
	32	930-703 BRUSH TERMINAL	2	
	33	960-251 HEX. HD. TAPPING SCREW D5X65	2	
*	34	360-773U ARMATURE ASS'Y 110V-120V	1	INCLUD. 8, 55
*	34	360-773E ARMATURE 230V-240V	1	
	35	326-083 LEVER	1	
	36	307-443 MACHINE SCREW (W/WASHERS) M6X30 (BLACK)	2	
	37	305-812 TAPPING SCREW (W/FLANGE) D4X16 (BLACK)	4	

PARTS

M 8V2

ITEM NO.	CODE NO.	DESCRIPTION	NO. USED	REMARKS	
38	325-220	HANDLE (L) B	1		
39	325-171	HANDLE (L) A	1		
40	325-180	SPRING GUIDE	2		
41	303-316	SPRING	1		
42	303-317	SPRING	1		
43	935-196	MACHINE SCREW (W/WASHERS) M4X12 (BLACK)	4		
44	325-174	LEVER (C)	1		
45	325-175	LOCK SCREW M6	1		
46	326-088	END BRACKET	1		
47	971-848	LOCK PIECE	1		
48	325-187	LOCK SCREW M10	1		
*	49	326-042	LEVER (A)	1	
*	49	322-601	LEVER (A) W/O STOPPER	1	FOR USA, CAN
50	997-314	MACHINE SCREW (W/WASHERS) M6X10	1		
51	325-172	HANDLE (R) A	1		
52	325-962	HANDLE (R) B	1		
53	307-100	TAPPING SCREW D5X50	4		
54	325-202	CORD (A)	1		
55	600-4T1	BALL BEARING 6004TIXVV	1		
56	325-186	THRUST NUT	1		
57	326-082	BEARING COVER	1		
58	325-183	LOCK SPRING (A)	1		
59	325-182	PUSHING BUTTON	1		
*	60	325-212	COLLET CHUCK 8MM	1	
*	60	323-293	COLLET CHUCK 1/4"	1	FOR NZL, AUS, GBR, USA, CAN
61	325-207	BELLOWS (A)	2		
62	302-315	SCREW M8	1		
63	317-200	MACHINE SCREW (W/WASHERS) M4X8 (BLACK)	1		
64	962-569	WASHER (B)	1		
65	971-858	SPRING (A)	1		
66	326-081	STOPPER BLOCK	1		
67	302-316	MACHINE SCREW M5X25 (BLACK)	1		
68	302-012	NUT M5 (BLACK)	2		
69	302-317	MACHINE SCREW M5X16 (BLACK)	1		
*	70	997-467	KNOB NUT	2	FOR EUROPE, GBR, AUT
71	992-013	SEAL LOCK FLAT HD. SCREW M5X14	4		
*	72	949-237	MACHINE SCREW M5X12 (10 PCS.)	2	FOR EUROPE, GBR, AUT
*	73	997-466	DUST COLLECTION ADAPTER SET	1	INCLUD. 70, 72 FOR EUROPE, GBR, AUT
74	301-806	WING BOLT M6X15	2		
75	947-859	LOCK SPRING	2		
76	326-089	BASE	1		
77	326-080	SUB BASE	1		
78	956-790	TEMPLATE GUIDE D18	1		
79	949-234	MACHINE SCREW M5X6 (10 PCS.)	2		
*	80	326-179	INTERNAL WIRE (BROWN)	1	FOR FIN, NOR, SWE, DEN, AUT

STANDARD ACCESSORIES

M 8V2

ITEM NO.	CODE NO.	DESCRIPTION	NO. USED	REMARKS
501	956-797	STRAIGHT GUIDE	1	
502	971-622	GUIDE BAR	2	
503	301-806	WING BOLT M6X15	2	
504	323-295	WRENCH 23MM	1	
* 505	326-095	CASE	1	EXCEPT FOR AUT, USA, CAN
* 506	971-852	CHUCK SLEEVE 8X6	1	FOR EUROPE, FIN, NOR, SWE, DEN
507	326-091	BAR HOLDER	1	
508	949-394	WING BOLT M6X10 (10 PCS.)	1	
509	956-793	FEED SCREW	1	

OPTIONAL ACCESSORIES

ITEM NO.	CODE NO.	DESCRIPTION	NO. USED	REMARKS
601	997-466	DUST COLLECTION ADAPTER SET	1	INCLUD. 602, 603
602	997-467	KNOB NUT	2	
603	949-237	MACHINE SCREW M5X12 (10 PCS.)	2	
604	956-794	TRIMMER GUIDE	1	
605	318-304	ADJUSTING KNOB SET	1	INCLUD. 606-609
606	318-350	SQUARE NUT	1	
607	317-300	SLEEVE	1	
608	956-046	WASHER (B)	1	
609	971-858	SPRING (A)	1	
* 610	956-808	STRAIGHT BIT (TCT) D8X8	1	
* 610	971-878	STRAIGHT BIT (TCT) D1/4"X1/4"	1	FOR NZL, AUS, GBR, USA, CAN
* 611	956-756	TEMPLATE GUIDE ADAPTER	1	FOR USA, CAN
* 612	323-298	TEMPLATE GUIDE D7.9	1	FOR USA, CAN
* 613	323-299	TEMPLATE GUIDE D9.5	1	FOR USA, CAN
* 614	323-300	TEMPLATE GUIDE D11.1	1	FOR USA, CAN
* 615	323-301	TEMPLATE GUIDE D12.7	1	FOR USA, CAN
* 616	323-302	TEMPLATE GUIDE D15.9	1	FOR USA, CAN
* 617	323-303	TEMPLATE GUIDE D19.1	1	FOR USA, CAN
* 618	323-304	TEMPLATE GUIDE D20.2	1	FOR USA, CAN
619	303-347	TEMPLATE GUIDE D9.5	1	
620	303-348	TEMPLATE GUIDE D10	1	
621	303-349	TEMPLATE GUIDE D11.1	1	
622	303-350	TEMPLATE GUIDE D12	1	
623	303-351	TEMPLATE GUIDE D12.7	1	
624	303-352	TEMPLATE GUIDE D14	1	
625	303-353	TEMPLATE GUIDE D16	1	
626	303-354	TEMPLATE GUIDE D24	1	
627	303-355	TEMPLATE GUIDE D40	1	