

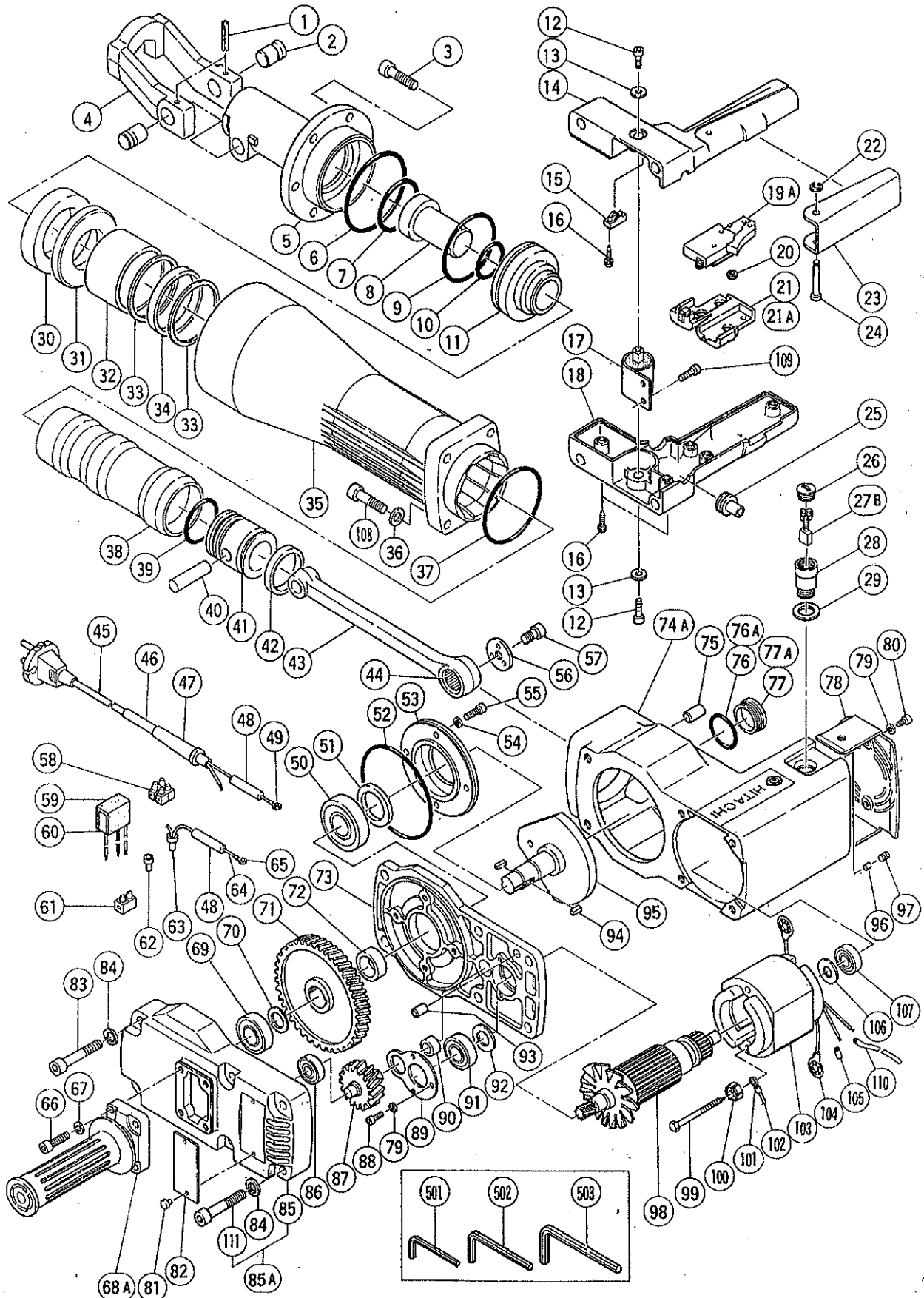
ELECTRIC TOOL PARTS LIST

■ HAMMER

1988-20

Model H90SA

H90SA(E2)



PARTS

H90SA(E2)

Item No.	Code No.	Part Name	Q'ty	Remarks
1	949874	Roll Pin D6 x 36	2	(10 pcs.)
2	985224	Lever Pin	1	
3	992889	Bolt 306373 M12 x 40	6	(Seal Lock Bolt)
4	985225	Retainer	1	
5	993189	Front Cover	1	
6	877316	O-Ring (S-90)	1	
7	993188	O-Ring	1	
8	992878	Second Hammer	1	
9	992865	O-Ring (D)	1	
10	956503	O-Ring (A)	1	
11	992860	Hammer Holder	1	
12	990935	Hexagon Socket Hd. Bolt M6 x 16	2	(Seal Lock Bolt)
13	982001Z	Stopper Washer	2	
14	993190	Handle (A)	1	
15	—	Cord Clip	1	See alternative parts
16	982095	Tapping Screw D4 x 20	6	w/Washer
17	993192	Handle Rubber	1	
18	993194	Handle (B)	1	
19A	—	Switch	1	See alternative parts
20	—	Washer	1	See alternative parts
21	—	Support	1	See alternative parts
22	968643	E-Type Retaining Ring	1	for Shaft 4 MM
23	992869	Switch Lever	1	
24	992870	Pin	1	
25	993193	Internal Wire Holder	1	
26	937949	Brush Cap	2	
27B	999086	Carbon Brush 999074	2	Auto Stop Type (2 pcs.)
28	993742	Brush Holder	2	
29	956683	Stop Plate	2	
30	992859	Damper	1	
31	992858	Damper Plate	1	
32	992857	Mouth	1	
33	992855	Mouth Washer	1	
34	992856	Urethane Ring	1	
35	992890	Cylinder Case	1	
36	949445	Washer	4	for M10 (10 cps.)
37	993195	O-Ring	1	
38	993187	Striker	1	
39	992853	O-Ring (B)	1	
40	956491	Piston Pin	1	
41	992852	Piston	1	
42	992877	Oil Seal (A)	1	
43	956484	Connecting Rod Ass'y	1	includ. 44
44	956485	Needle Bearing NSK RLM2220)	1	
45	—	Cord	1	See alternative parts
46	—	Tuba (D)	1	
47	930217	Cord Armor	1	
48	—	Vinyl Tube (I.D7 x T0.5 x 50)	2	
49	—	Terminal	1	See alternative parts
50	6305VV	Ball Bearing 6305WCMPS2S	1	
51	992846	Oil Seal	1	
52	992847	O-Ring	1	
53	992845	Bearing Boss	1	

PARTS

H90SA(E2)

Item No.	Code No.	Part Name	Q'ty	Remarks
54	949455	Spring Lock Washer	4	for M6 (10 pcs.)
55	992803	Hexagon Socket Hd. Bolt M6 x 20	4	(Seal Lock Bolt)
56	956486	Crank Washer	1	
57	992850	Hexagon Socket Hd. Bolt M10 x 16	1	(Seal Lock Bolt)
58	—	Pillar Terminal (A)	1~2	See alternative parts
59	—	Support (B)	1	See alternative parts
60	—	Noise Suppressor	1	See alternative parts
61	—	Pillar Terminal	1	See alternative parts
62	—	Connector	1~2	See alternative parts
63	—	Connector	1~2	See alternative parts
64	—	Internal Wire	1	See alternative parts
65	—	Terminal	1	See alternative parts
66	986894	Bolt M8 x 30	4	(Seal Lock Bolt)
67	949457	Spring Lock Washer	4	for M8 (10 pcs.)
68A	956527	Side Handle	1	
69	6204VV	Ball Bearing 6204VVCMP2S	1	
70	956482	Distance Washer	1	
71	992848	Final Gear	1	
72	956480	Distance Ring (B)	1	
73	992872	Inner Cover	1	
74A	993200	Housing Ass'y	1	includ. 28, 76A, 77A, 96, 97
75	993191	Rubber Leg	4	
76	980879	O-Ring (S-34)	1	till 4. 1986'
76A	980717	O-Ring (S-38)	1	since 5. 1986
77	980880	Oil Cap	1	till 4. 1986
77A	982646	Oil Cap	1	since 5. 1986
78	992871	Tail Cover	1	
79	949454	Spring Lock Washer	5	for M5 (10 pcs.)
80	877839	Hexagon Socket Hd. Bolt M5 x 10	2	(Seal Lock Bolt)
81	949510	Rivet D2.5 x 4.8	2	(10 pcs.)
82	—	Name Plate	1	
83	992851	Hexagon Socket Hd. Bolt M10 x 60	4	(Seal Lock Bolts) since 9. 1987
84	949458	Spring Lock Washer	6	for M10 (10 pcs.)
85A	993201	Gear Cover Ass'y	1	includ. 111
86	6201VV	Ball Bearing 6201VVCMP2S	1	
87	992843	Counter Gear	1	
88	984509	Hexagon Socket Hd. Bolt M5 x 14	3	(Seal Lock Bolt)
89	992842	Bearing Cover (A)	1	
90	992844	Needle Bearing (BK1312)	1	
91	6203VV	Ball Bearing 6203VVCMP2S	1	
92	992841	Bearing Washer	1	
93	949480	Pin D8 x 14	1	(10 pcs.)
94	948919	Feather Key 4 x 4 x 15	2	
95	992849	Crank Shaft	1	
96	931857	Friction Piece	2	
97	938477	Hexagon Socket Hd. Set Screw M5 x 8	2	
98	—	Armature	1	See alternative parts
99	993185	Hexagon Hd. Tapping Screw D5 x 85	2	
100	956764	Special Washer	2	
101	—	Terminal	1	See alternative parts
102	—	Internal Wire Ass'y	1	See alternative parts
103	—	Stator Ass'y	1	See alternative parts
104	945932	Brush Terminal	2	

PARTS

H90SA(E2)

Item No.	Code No.	Part Name	Q'ty	Remarks
105	—	Tube (D)	2	See alternative parts
106	944954	Bearing Washer	1	
107	6201VV	Ball Bearing 6201VVCMP2S	1	
108	993198	Bolt M10 x 45	4	(Seal Lock Bolt)
109	993199	Hexagon Socket Hd. Bolt M6 x 16	2	(Seal Lock Bolt)
110	—	Vinyl Tube (D) (I.D4 x T0.4 x 80)	1	
111	996433	Hexagon Socket Hd. Bolt M10 x 55	2	(Seal Lock Bolt) since 9, 1987

ALTERNATIVE PARTS

Item No.	Code No.	Part Name	Q'ty	Remarks
15	960266	Cord Clip	1	
	981987Z	Cord Clip	1	for Switzerland
19A	992891	Single Pole Switch (Screw Type)	1	w/o Lock
19A	981533Z	Double Pole Switch (Pillar Type)	1	w/o Lock for Australia
20	949423	Washer	1	for M4 for U.K., S. Africa, Italy, F.R. Germany, France, Spain, Netherlands, Denmark, Finland, Sweden, Austria, Norway, Switzerland (10 pcs.)
21	981869	Support	1	till 7, 1988
	981986Z	Support (A)	1	for Australia
21A	990082	Support (E)	1	since 8, 1988
45	500239Z	Cord 110V ~ 240V	1	
	500235Z	Cord 110V ~ 220V	1	for Indonesia, Surinam, Greece
	500406Z	Cord 110V ~ 240V	1	for U.K., S. Africa
	500394Z	Cord 220V	1	for Syria
	500390Z	Cord 220V	1	for Italy, F.R. Germany, France, Spain, Netherlands, Denmark, Finland, Sweden, Austria, Norway
	500224Z	Cord 230V ~ 240V	1	for Singapore, Kuwait
	500227Z	Cord 230V ~ 240V	1	for Papua New Guinea, N.Z.
	500408Z	Cord 240V	1	for Australia
49	992810	Terminal	1	for Cord
58	958308Z	Pillar Terminal (A)	1~2	for Finland
59	930153	Support (B)	1	for Noise Suppressor
60	971828	Noise Suppressor	1	
	958846Z	Noise Suppressor	1	for Switzerland
61	938307Z	Pillar Terminal	1	for U.K., Italy, F.R. Germany, France, Spain, Netherlands, Denmark, Finland, Sweden, Norway, Austria, Switzerland, U.S.A., Canada
62	959140	Connector (50091)	1~2	(10 pcs.)
63	959141	Connector (50092)	1~2	(10 pcs.)

ALTERNATIVE PARTS

H90SA(E2)

Item No.	Code No.	Part Name	Q'ty	Remarks
64	981974Z	Internal Wire Ass'y	1	for N.Z., U.K., S. Africa, Italy, F.R. Germany, France, Spain, Netherlands, Denmark, Finland, Sweden, Austria, Norway includ. 65
65	980063	Terminal	1	for Internal Wire
98	360014C	Armature	110V ~ 127V	1
	360014E	Armature	220V ~ 230V	1
	360014F	Armature	240V	1
	360014G	Armature	110V	1 for U.K.
	360014H	Armature	220V ~ 230V	1 for N.Z., S. Africa, Italy, F.R. Germany, France, Spain, Netherlands, Denmark, Finland, Sweden, Austria, Norway, Switzerland
	360014J	Armature	240V	1 for U.K.
101	961419Z	Terminal	1	for Internal Wire
102	990861	Internal Wire	1	for N.Z., U.K., S. Africa, Italy, F.R. Germany, France, Spain, Netherlands, Denmark, Finland, Sweden, Austria, Norway includ. 101
	971776	Internal Wire	1	for Switzerland includ. 101
103	340014C	Stator Ass'y	110V ~ 115V	1 includ. 104
	340014D	Stator Ass'y	120V ~ 127V	1 includ. 104
	340014E	Stator Ass'y	220V ~ 220V	1 includ. 104
	340014F	Stator Ass'y	240V	1 includ. 104
	340014G	Stator Ass'y	240V	1 for Australia includ. 104, 105
105	981373	Tube (D)	2	

STANDARD ACCESSORIES

Item No.	Code No.	Part Name	Q'ty	Remarks
	944458	Hexagon Bar Wrench 4 MM	1	
502	872424	Hexagon Bar Wrench 6 MM	1	
503	993740	Hexagon Bar Wrench 10 MM	1	

OPTIONAL ACCESSORIES

Item No.	Code No.	Part Name	Q'ty	Remarks
601	993180	Bull Point	1	
602	980927	Grease for IMPACT DRILL	1	
603	993181	Cold Chisel	1	
604	993182	Cutter 520 MM	1	
605	993183	Scoop	1	