

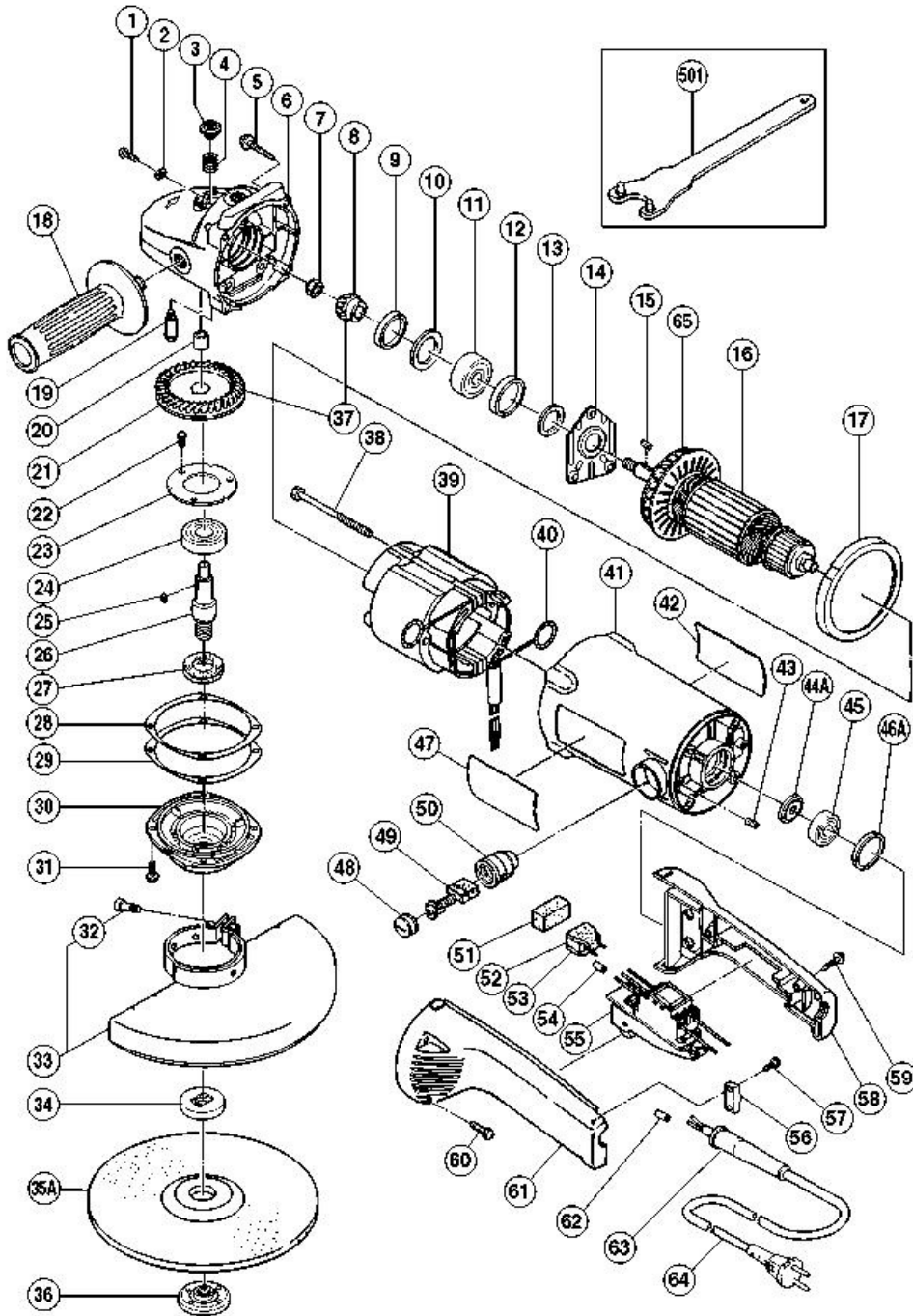
HITACHI

LIST NO. E214

ELECTRIC TOOL PARTS LIST

■ DISC GRINDER
Model G 23UB

2001·6·1
(E2-1)



G23UB

Pos. Nr.	Art. Nr.	Beschreibung	Stueck	Kommentar	Beschreibung
1	949-238	+KOPFSCHRAUBE M5X14 (10ST)	3		MACHINE SCREW M5X14 (10 PCS.)
2	949-454	FEDERSCHEIBE M5 (10ST)	3		SPRING WASHER M5 (10 PCS.)
3	306-888	ARRETIERKNOPF CM12Y/G18U/G23U u a G18U2/	1		PUSHING BUTTON
4	306-889	FEDER CM12Y/G18U/G23U u a	1		SPRING
5	301-654	SCHNEIDSCHRAUBE D5X35 MIT FLANSCH	4		TAPPING SCREW (W/FLANGE) D5X35
6	306-105	GETRIEBEGEHAUSE G18U/UA/UB u a	1	INCLUD.3,4,19,20	GEAR COVER ASS'Y
7	946-228	U-MUTTER M8 G18SE2/G18U/UA/UB/23U	1		U-NUT M8
8	306-110	RITZEL G23U/UA/UA/SC2	1		PINION
9	306-107	DICHTUNGSRING (A) G18U/UA/UB u a	1		SEAL RING (A)
10	306-113	DISTANZSCHEIBE G18U/UA/UB u a	1		WASHER (A)
11	630-1DD	KUGELLAGER 6301 DD	1		BALL BEARING 6301DDCMPS2L
12	994-208	GUMMIRING (B) G18SE/CM12Y u a G18U2/G23	1		RUBBER RING (B)
13	990-864	FILZPACKUNG (A) G18U/UA/UB/G23U u	1		FELT PACKING (A)
14	306-106	LAGERDECKEL G18U/UA/UB/G23U u a	1		BEARING COVER
15	940-533	KEIL 3X3X10 G13SC/G15SA u a	1		FEATHER KEY 3X3X10
16	360-287E	ANKER 220V-230V G18UA/UB/G23UA/UB	1	INCLUD.65	ARMATURE ASS'Y 220V-230V
16	360-287F		1	INCLUD.65	ARMATURE ASS'Y 240V
17	306-103	LUFTFUHRUNG G18U/UA/UB/G23UA u a	1		FAN GUIDE
18	937-981	SEITENGRIF (M14) DIV WS- TYPEN	1		SIDE HANDLE FOR M14
19	306-890	ARRETIERSTIFT CM12Y/G18U/G23U u a G18U2/	1		LOCK PIN
20	673-002	NADELLAGER HK 1212 C9U/G23U/UA/UB	1		NEEDLE BEARING (HK1212)
21	306-109	ZAHNRAD G23U/UA/UB/SC2	1		GEAR
					SEAL LOCK

22	992-038	#NAME?	3		SCREW (W/SP. WASHER) M5X10
23	937-035	LAGERDECKEL (B)G23U/G23UA/u a	1		BEARING COVER (B)
24	630-2DD	KUGELLAGER 6302 DD	1		BALL BEARING 6302DDCMPS2L
25	980-809	KEIL 4X4X8 SAY150A/G18SC/SD u a	1		FEATHER KEY 4X4X8
26	990-857	GETRIEBEWELLE G18SC/SD/G23SA u a	1		SPINDLE
27	990-852	FILZPACKUNG (B) G18U/G23U u a G18U2/G23	1		FELT PACKING (B)
28	306-112	GETRIEBEDICHTUNG G18U/UA/UB u a	1		SEAL PLATE
29	306-981	DRUCKUNTERLEGSCHIEBE G18U u a	1		THRUST WASHER
30	306-111	GETRIEBEBECKEL G18U/UA/UB u a	1		PACKING GLAND
31	994-192	INBUSSCHRAUBE M5X16 M FLANSCH	4		HEX. SOCKET HD. BOLT (W/FLANGE) M5X16
32	306-887	#NAME?	1		BOLT M8X22
33	306-120	SCHUTZHAUBE KOMPL G23U/UA/UB G23U2	1	INCLUD.32	WHEEL GUARD ASS'Y
34	937-907Z	SPANNFLANSCH G15YC/G18SC2-UB G23U-UB/G18	1		WHEEL WASHER (A)
34	937-908Z	Spannflansch (B)	1	FOR AUS,NZL	WHEEL WASHER (B)
35A	316-825	Diamantscheibe 230mm (25 Stk) G23SR Neue	1		D. C. WHEELS 230MM A24R (25 PCS.)
36	937-909Z	FLANSCHMUTTER G18SC2-G18UB/G23U-B G18U2/	1		WHEEL NUT M14X2
36	937-917Z		1	FOR AUS,NZL	WHEEL NUT (B)
37	306-108	GETRIEBE KOMPLETT G23U/UA/UB/SC2	1	INCLUD.8,21	GEAR AND PINION ASS'Y
38	984-271	SECHSKANTSCHNEIDSCHRAUBE D5X75	2		HEX. HD. TAPPING SCREW D5X75
39	340-283E	STATOR 230V G18UA/UB/G23UA/UB	1	INCLUD.40	STATOR ASS'Y 230V
39	340-283F		1	INCLUD.40	STATOR ASS'Y 240V
40	958-032	KOHLLENHALTERKLEMME DIV TYPEN	2		BRUSH TERMINAL
41	306-102	MOTORGEHAUSE KOMPL G18UA/UB u a	1	INCLUD.43,50	HOUSING ASS'Y

42			1		NAME PLATE
43	938-477	INBUSSTIFTSCHRAUBE M5X8	2		HEX. SOCKET SET SCREW M5X8
44A	310-998	STAUBDICHTUNG G18U/UA/UB/G23U u a	1		DUST SEAL
45	620-0VV	KUGELLAGER 6200 VV	1		BALL BEARING 6200VVCMP52L
45A	600-0VV	KUGELLAGER 6000 VV	1	FOR BEL,FRG,AUT,SAF	BALL BEARING 6000VVCMP52L
46A	313-485		1		RUBBER RING (E)
46B	994-202	GUMMIRING (A) G18SE/CM12Y u a	1	FOR BEL,FRG,AUT,SAF	RUBBER RING (A)
47			1		HITACHI LABEL
48	940-540	KOHLLENKAPPE C13U/M12V/DIV TYPEN H70SA	2		BRUSH CAP
49	999-044	KOHLLENBURSTEN (PAAR)	2		CARBON BRUSH (1 PAIR)
50	980-487	KOHLLENHALTER C13U/CM12Y u a	2		BRUSH HOLDER
51	306-117	STAUBDICHTUNG G18U/UA/UB u a	1		DUST PACKING
52	994-273	KONDENSATOR DIV TYPEN	1	EXCEPT FOR AUS	NOISE SUPPRESSOR
53	306-114	PUFFER (B) G18U/UA/UB u a	1	EXCEPT FOR AUS	SUPPORT (B)
54	981-373	ADERENDHULSE (D) DIV TYPEN	3		TUBE (D)
55	307-649	SCHALTER G18U/UA/UB/G23U/UA/UB	1	W/LOCK	SWITCH (2P PILLAR TYPE) W/SAFETY LOCK
55	307-650	SCHALTER CM12Y	1	W/O LOCK FOR AUS,GBR,NOR,ITA	SWITCH (2P PILLAR TYPE) W/SAFETY LOCK
56	960-266	KABELKLEMME DIV TYPEN	1		CORD CLIP
57	984-750	SCHNEIDSCHRAUBE D4X16 MIT FLANSCH	2		TAPPING SCREW (W/FLANGE) D4X16
58	306-119	HANDGRIFF (B) G18U/G23U u a	1		HANDLE (B)
59	304-035	SCHNEIDSCHRAUBE D4X25 MIT FLANSCH NEUE A	2		TAPPING SCREW (W/FLANGE) D4X25 (BLACK)
60	305-558	SCHNEIDSCHRAUBE D5X25 M FLANSCH (SCHWARZ)	4		TAPPING SCREW (W/FLANGE) D5X25 (BLACK)
61	306-118	HANDGRIFF (A) G18U/G23U u a	1		HANDLE (A)
62	981-373	ADERENDHULSE (D) DIV TYPEN	2	FOR CORD	TUBE (D)
63	940-778	KABELKNICKSCHUTZ D10 7 DIV TYPEN	1		CORD ARMOR D10.7
63	958-049	KABELKNICKSCHUTZ D8 2 DIV TYPEN	1	FOR SAF	CORD ARMOR D8.2

64	500-438Z		1	(CORD ARMOR D10.7)	CORD
64	500-246Z		1	(CORD ARMOR D10.7) FOR GBR	CORD
64	500-439Z	Anschlusskabel Neue Art -Nr 714500	1	(CORD ARMOR D10.7) FOR AUS	CORD
64	938-333Z		1	(CORD ARMOR D8.2) FOR SAF	CORD
64	500-248Z		1	(CORD ARMOR D10.7) FOR SUI	CORD
65	319-657	Ventilatorfuehrung G23SC2	1		FAN
66	320-246	Lagerbuchsenset G23SC2	1	INCLUD.45A,46B,67, FOR BEL,FRG,AUT,SAF	BUSHING AND BALL BEARING ASS'Y
67	320-247	Lagerbuchse G23SC2	1	FOR BEL,FRG,AUT,SAF	BEARING BUSHING
501	937-913Z	STIRNLOCHSCHLUSSEL DIV WS- TYPEN	1		WRENCH