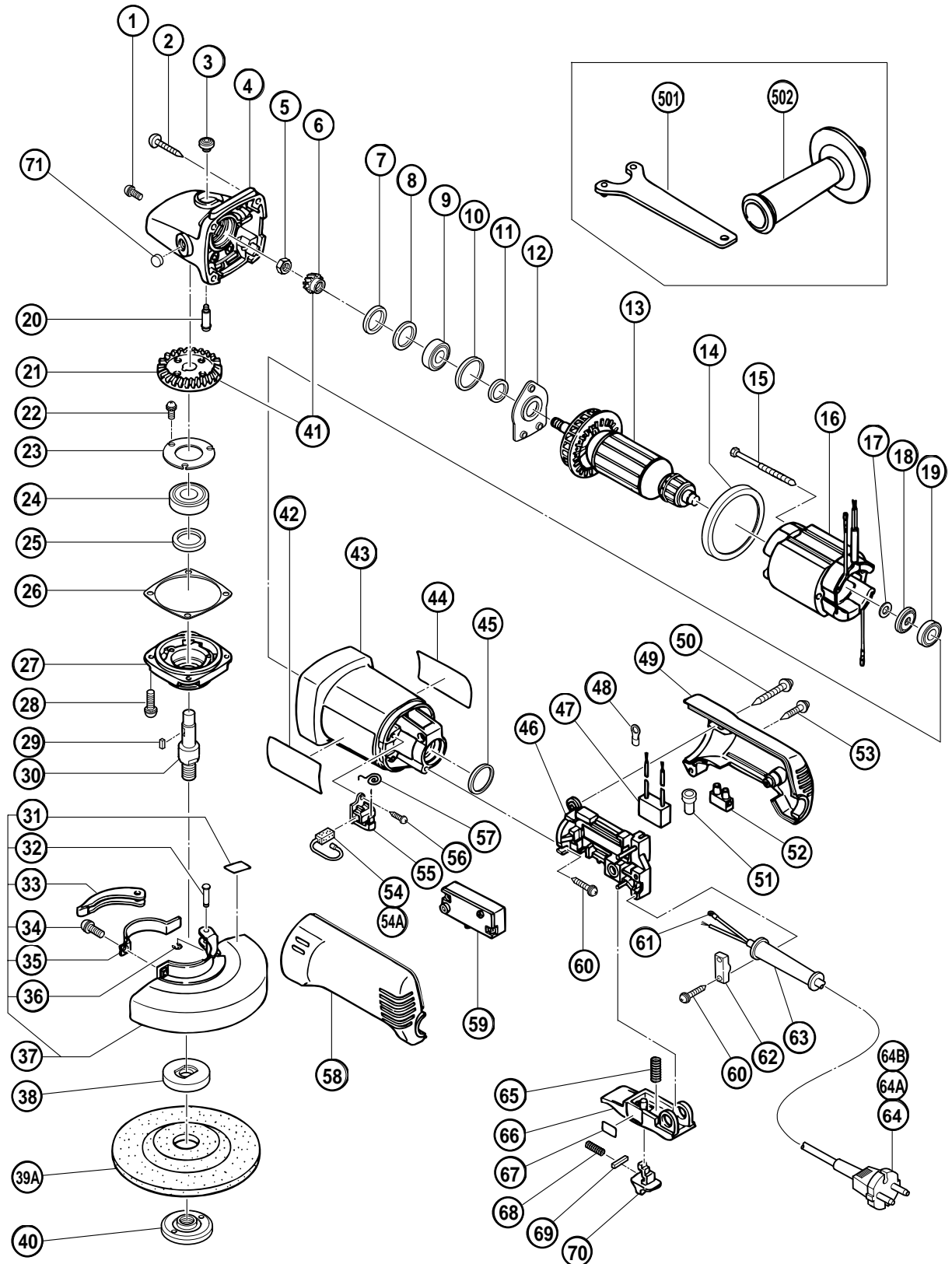


## ELECTRIC TOOL PARTS LIST

### DISC GRINDER Model G 13SE

2001•3•30  
(E2)



## PARTS

G 13SE

ITEM NO.	CODE NO.	DESCRIPTION	NO. USED	REMARKS
1	303-255	SEAL LOCK SCREW (W/SP. WASHER) M4X10	3	
2	937-807	TAPPING SCREW D5X25	4	
3	301-944	PUSHING BUTTON	1	
4	308-542	GEAR COVER ASS'Y	1	INCLUD.3,20,71
5	301-941	SPECIAL NUT M7	1	
6	308-541	PINION	1	
7	308-543	SEAL RING (A)	1	
8	980-866	WASHER (C)	1	
9	629-T12	BALL BEARING 629T12DDC3PS2L	1	
10	957-754	RUBBER RING	1	
11	994-320	FELT	1	
12	308-538	BEARING COVER	1	
* 13	360-375C	ARMATURE 110V	1	
* 13	360-375U	ARMATURE ASS'Y 115V	1	INCLUD.9,11,17-19
* 13	360-375E	ARMATURE 220V-240V	1	
14	308-537	FAN GUIDE	1	
15	982-021	HEX. HD. TAPPING SCREW D4X70	2	
* 16	340-339C	STATOR 110V	1	
* 16	340-339D	STATOR 115V	1	
* 16	340-339E	STATOR 220V-240V	1	
17	311-737	THRUST WASHER	1	
18	311-435	DUST SEAL (A)	1	
19	608-VVM	BALL BEARING 608VVC2PS2L	1	
20	301-943	LOCK PIN	1	
21	308-540	GEAR	1	
22	991-207	SEAL LOCK SCREW (W/SP. WASHER) M4X8	3	
23	936-680	BEARING COVER (B)	1	
24	620-1DD	BALL BEARING 6201DDCMPS2L	1	
25	308-546	FELT PACKING	1	
26	308-547	SEAL PACKING	1	
27	308-545	PACKING GLAND	1	
28	307-046	SEAL LOCK SCREW (W/SP. WASHER) M5X16	4	
29	944-109	FEATHER KEY 3X3X8	1	
* 30	994-301	SPINDLE (A)	1	
* 30	994-302	SPINDLE (B)	1	FOR USA,CAN
31	311-492	LABEL	1	
32	311-744	SET PIN	1	
33	311-743	LEVER	1	
34	880-734	MACHINE SCREW (W/WASHERS) M5X25 (BLACK)	1	
35	311-491	SET PIECE (B)	1	
36	874-759	RETAINING RING (E-TYPE) FOR D2.5 SHAFT	1	
37	311-742	WHEEL GUARD ASS'Y	1	INCLUD.31-36
* 38	937-817Z	WHEEL WASHER	1	
* 38	937-922P	WHEEL WASHER (B) FOR D5/8" HOLE	1	FOR USA,CAN
39A	316-822	D. C. WHEELS 125MM A36Q (25 PCS.)	1	
* 40	994-324	WHEEL NUT M14	1	
* 40	937-923P	WHEEL NUT 5/8"-11UNC	1	FOR USA,CAN
41	308-539	GEAR ASS'Y	1	INCLUD.6,21
* 42		HITACHI LABEL	1	
43	308-559	HOUSING	1	
44		NAME PLATE	1	

# PARTS

G 13SE

ITEM NO.	CODE NO.	DESCRIPTION	NO. USED	REMARKS
45	995-662	RUBBER RING	1	
46	311-738	SWITCH BOX	1	
* 47	930-039	NOISE SUPPRESSOR	1	
* 48	311-741	TERMINAL	1	
* 48	980-063	TERMINAL	1	FOR IND,SIN,USA,CAN
49	308-549	TAIL COVER (B)	1	
50	303-694	TAPPING SCREW (W/FLANGE) D4X35	2	
* 51	959-140	CONNECTOR 50091 (10 PCS.)	1	FOR SIN,USA,CAN
* 51	959-141	CONNECTOR 50092 (10 PCS.)	1	FOR AUS
* 52	938-307	PILLAR TERMINAL	1	EXCEPT FOR SIN,AUS,USA,CAN
53	301-653	TAPPING SCREW (W/FLANGE) D4X20 (BLACK)	1	
54	999-088	CARBON BRUSH (1 PAIR)	2	
54A	999-076	CARBON BRUSH (AUTO STOP TYPE) (1 PAIR)	2	
55	308-535	BRUSH HOLDER	2	
56	306-945	TAPPING SCREW D3X10	4	
57	308-536	SPRING	2	
58	308-548	TAIL COVER (A)	1	
* 59	311-739	SWITCH (1P SCREW TYPE) W/O LOCK	1	(AC)
* 59	311-740	SWITCH (1P SCREW TYPE) W/O LOCK	1	(AC AND DC) FOR USA,CAN
60	984-750	TAPPING SCREW (W/FLANGE) D4X16	3	
* 61	980-063	TERMINAL	1	FOR CORD
62	960-266	CORD CLIP	1	
* 63	953-327	CORD ARMOR D8.8	1	
* 63	938-051	CORD ARMOR D10.1	1	
* 64	500-409Z	CORD	1	(CORD ARMOR D8.8)
* 64	500-240Z	CORD	1	(CORD ARMOR D8.8) FOR USA,CAN
* 64	500-439Z	CORD	1	(CORD ARMOR D10.1) FOR AUS
* 64	500-436Z	CORD	1	(CORD ARMOR D8.8) FOR GBR (230V)
* 64	500-395Z	CORD	1	(CORD ARMOR D8.8) FOR SUI
* 64A	500-423Z	CORD	1	(CORD ARMOR D8.8) FOR SIN
* 64B	500-461Z	CORD	1	(CORD ARMOR D8.8) FOR GBR (110V)
65	983-595	SPRING	1	
66	308-554	PADDLE LEVER	1	
* 67	308-557	LEVER ACTION SEAL	1	
* 67	308-558	LEVER ACTION SEAL	1	FOR GBR,FRA,FIN,AUS,NZL
68	301-631	SPRING (F)	1	
69	982-696	FEATHER KEY 3X3X15	1	
* 70	308-555	LOCK LEVER	1	
* 70	308-556	LOCK LEVER	1	FOR GBR,FRA,FIN,AUS,NZL
71	315-049	FELT WASHER	1	

**STANDARD ACCESSORIES**

G 13SE

ITEM NO.	CODE NO.	DESCRIPTION	NO. USED	REMARKS
501	938-332Z	WRENCH	1	
502	994-322	SIDE HANDLE	1	

**OPTIONAL ACCESSORIES**

ITEM NO.	CODE NO.	DESCRIPTION	NO. USED	REMARKS
* 601	994-312	WHEEL WASHER (C) FOR D20 HOLE	1	FOR USA,CAN
* 602	994-313	WHEEL WASHER (C) FOR D22.2 HOLE	1	FOR USA,CAN
* 603	310-338	SUPER WASHER	1	EXCEPT FOR USA,CAN