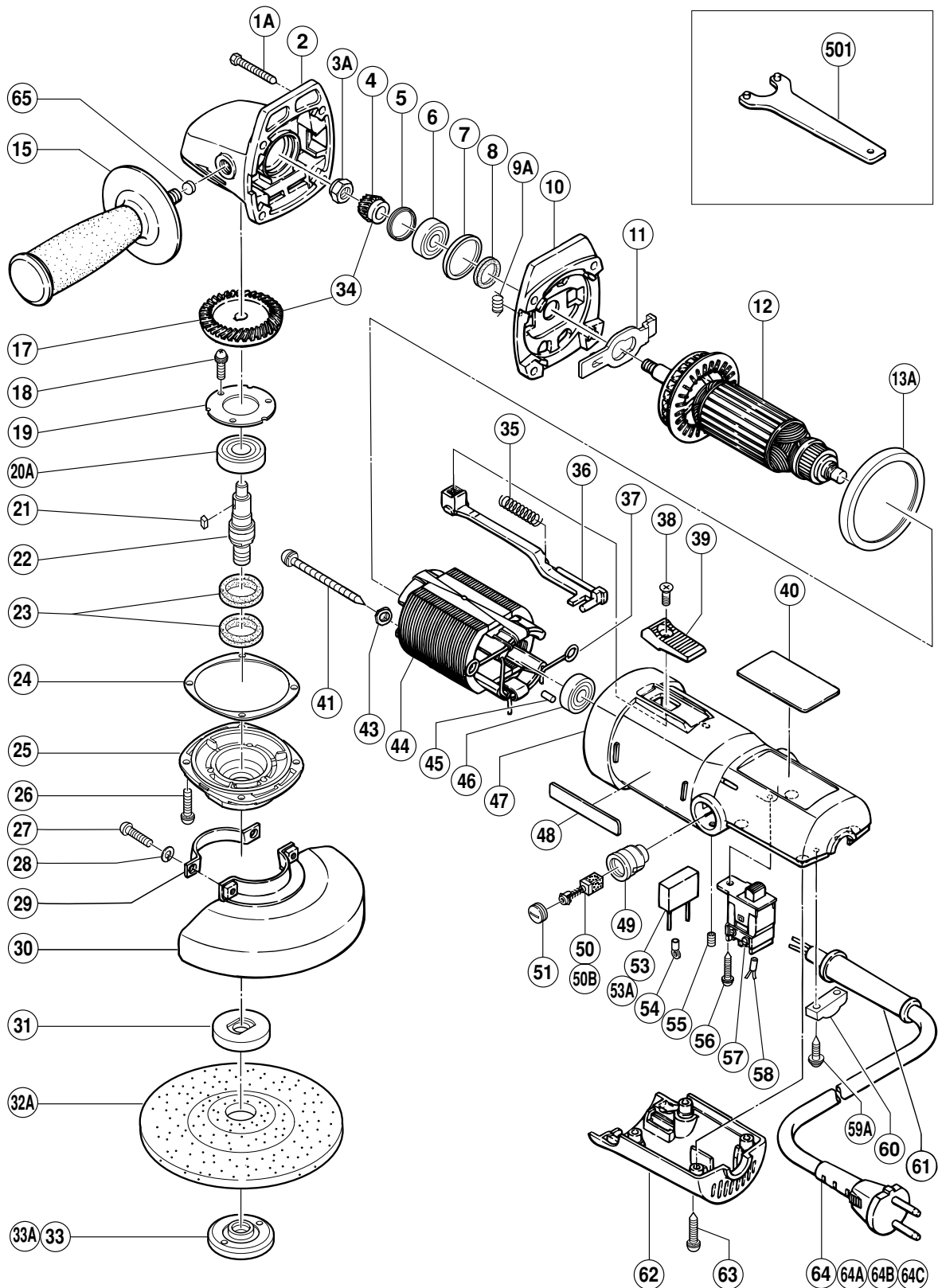


## ELECTRIC TOOL PARTS LIST

■ DISC GRINDER  
Model G 13SB

2001·3·30  
(E5)



# PARTS

G 13SB

ITEM NO.	CODE NO.	DESCRIPTION	NO. USED	REMARKS
1A	957-580	TAPPING SCREW D5X30	4	
2	994-291	GEAR COVER ASS'Y	1	INCLUD.65
3A	994-311	SEAL LOCK U-NUT M8	1	
4	994-293	PINION	1	
5	994-308	SEAL RING (A)	1	
6	629-DDM	BALL BEARING 629DDPS2L	1	
7	957-754	RUBBER RING	1	
8	994-320	FELT	1	
9A	994-296	SPRING	1	
10	994-294	INNER COVER	1	
11	994-295	LOCK PLATE	1	
* 12	360-016U	ARMATURE ASS'Y 110V-127V	1	INCLUD.6,46
* 12	360-016E	ARMATURE 220V-230V	1	
* 12	360-016F	ARMATURE 240V	1	
13A	308-537	FAN GUIDE	1	
15	994-322	SIDE HANDLE	1	
17	994-300	GEAR	1	
18	987-201	SEAL LOCK SCREW (W/SP. WASHER) M4X10	3	
19	936-680	BEARING COVER (B)	1	
20A	620-1DD	BALL BEARING 6201DDCMPS2L	1	
21	944-109	FEATHER KEY 3X3X8	1	
* 22	994-301	SPINDLE (A)	1	
* 22	994-302	SPINDLE (B)	1	FOR USA
23	936-544	FELT PACKING D18	2	
24	938-305Z	SEAL PACKING	1	
25	938-293Z	PACKING GLAND	1	
26	993-985	SEAL LOCK SCREW (W/SP. WASHER) M5X16	4	
* 27	949-241	MACHINE SCREW M5X20 (10 PCS.)	2	
* 27	949-241	MACHINE SCREW M5X20 (10 PCS.)	1	FOR FIN,DEN,HOL,ITA
* 28	949-454	SPRING WASHER M5 (10 PCS.)	2	
* 28	949-454	SPRING WASHER M5 (10 PCS.)	1	FOR FIN,DEN,HOL,ITA
29	938-302Z	SET PLATE (A)	1	
* 30	994-321	WHEEL GUARD ASS'Y	1	INCLUD.27-29
* 30	994-323	WHEEL GUARD ASS'Y	1	INCLUD.27,28 FOR FIN,HOL,ITA
* 30	938-314	WHEEL GUARD ASS'Y	1	INCLUD.27-29 FOR USA
* 31	937-817Z	WHEEL WASHER	1	
* 31	937-922P	WHEEL WASHER (B) FOR D5/8" HOLE	1	FOR USA
32A	316-822	D. C. WHEELS 125MM A36Q (25 PCS.)	1	
* 33	937-923P	WHEEL NUT 5/8"-11UNC	1	FOR USA
* 33A	994-324	WHEEL NUT M14	1	
34	994-292	GEAR AND PINION ASS'Y	1	INCLUD.4,17
35	938-299	SPRING	1	
36	994-310	SLIDE BAR	1	
37	931-867	BRUSH TERMINAL	2	
38	949-322	FLAT HD. SCREW M4X10 (10 PCS.)	1	
39	994-298	SLIDE KNOB (C)	1	
40		NAME PLATE	1	
41	994-307	TAPPING SCREW (W/SP. WASHER) D4X75	2	
* 43	957-592	EARTH WASHER D4	1	FOR SUI
* 44	340-016D	STATOR ASS'Y 110V-127V	1	INCLUD.37
* 44	340-016E	STATOR ASS'Y 220V-230V (W/O TUBE D)	1	INCLUD.37

PARTS

ITEM NO.	CODE NO.	DESCRIPTION	NO. USED	REMARKS
*	44	340-016J	STATOR ASS'Y 220V-230V (W/TUBE D)	1 INCLUD.37
*	44	340-016F	STATOR ASS'Y 240V	1 INCLUD.37
*	44	340-016G	STATOR ASS'Y 220V-230V	1 INCLUD.37 FOR SUI
*	44	340-016C	STATOR ASS'Y 110V	1 INCLUD.37 FOR GBR
	45	931-701	BEARING LOCK	1
	46	608-VVM	BALL BEARING 608VVC2PS2L	1
	47	994-290	HOUSING ASS'Y	1 INCLUD.49,55
	48	957-561	HITACHI LABEL	1
	49	957-571	BRUSH HOLDER	2
*	50	999-021	CARBON BRUSH (1 PAIR)	2
*	50B	999-070	CARBON BRUSH (AUTO STOP TYPE) (1 PAIR)	2 FOR DEN,ESP
	51	931-266	BRUSH CAP	2
*	53	994-273	NOISE SUPPRESSOR	1
*	53A	311-935	NOISE SUPPRESSOR	1 FOR EUROPE (EXCEPT FOR SUI),NZL
*	54	959-144	TERMINAL 50051 (10 PCS.)	1 FOR SUI
	55	961-681	HEX. SOCKET SET SCREW M4X5	2
	56	982-034	TAPPING SCREW (W/WASHER) D4X12	1
	57	980-778	SLIDE SWITCH (2P PILLAR TYPE)	1
*	58	981-373	TUBE (D)	2 FOR NZL,GBR,SAF,ITA,FRG,FRA,HOL,DEN, FIN,SWE,NOR,SUI
	59A	984-750	TAPPING SCREW (W/FLANGE) D4X16	2
	60	960-266	CORD CLIP	1
*	61	953-327	CORD ARMOR D8.8	1
*	61	938-051	CORD ARMOR D10.1	1
	62	994-303	TAIL COVER	1
	63	956-636	TAPPING SCREW (W/WASHER) D4X25	4
*	64	950-543Z	CORD	1 (CORD ARMOR D10.1)
*	64	500-240Z	CORD	1 (CORD ARMOR D8.8) FOR USA
*	64	500-439Z	CORD	1 (CORD ARMOR D8.8) FOR AUS,NZL,NGU
*	64	950-547Z	CORD	1 (CORD ARMOR D8.8)
*	64	960-279Z	CORD	1 (CORD ARMOR D10.1) FOR SUI
*	64	980-339Z	CORD	1 (CORD ARMOR D10.1) FOR FIN,DEN,NOR
*	64	500-234Z	CORD	1 (CORD ARMOR D8.8) FOR IND,SAF
*	64A	500-423Z	CORD	1 (CORD ARMOR D8.8) FOR SIN,KUW
*	64A	500-435Z	CORD	1 (CORD ARMOR D8.8) FOR GBR (240V),HKG
*	64A	500-447Z	CORD	1 (CORD ARMOR D8.8) FOR SYR
*	64B	500-461Z	CORD	1 (CORD ARMOR D8.8) FOR GBR (110V)
*	64C	500-455Z	CORD	1 (CORD ARMOR D8.8) FOR CHN
	65	937-033	FELT WASHER	1

