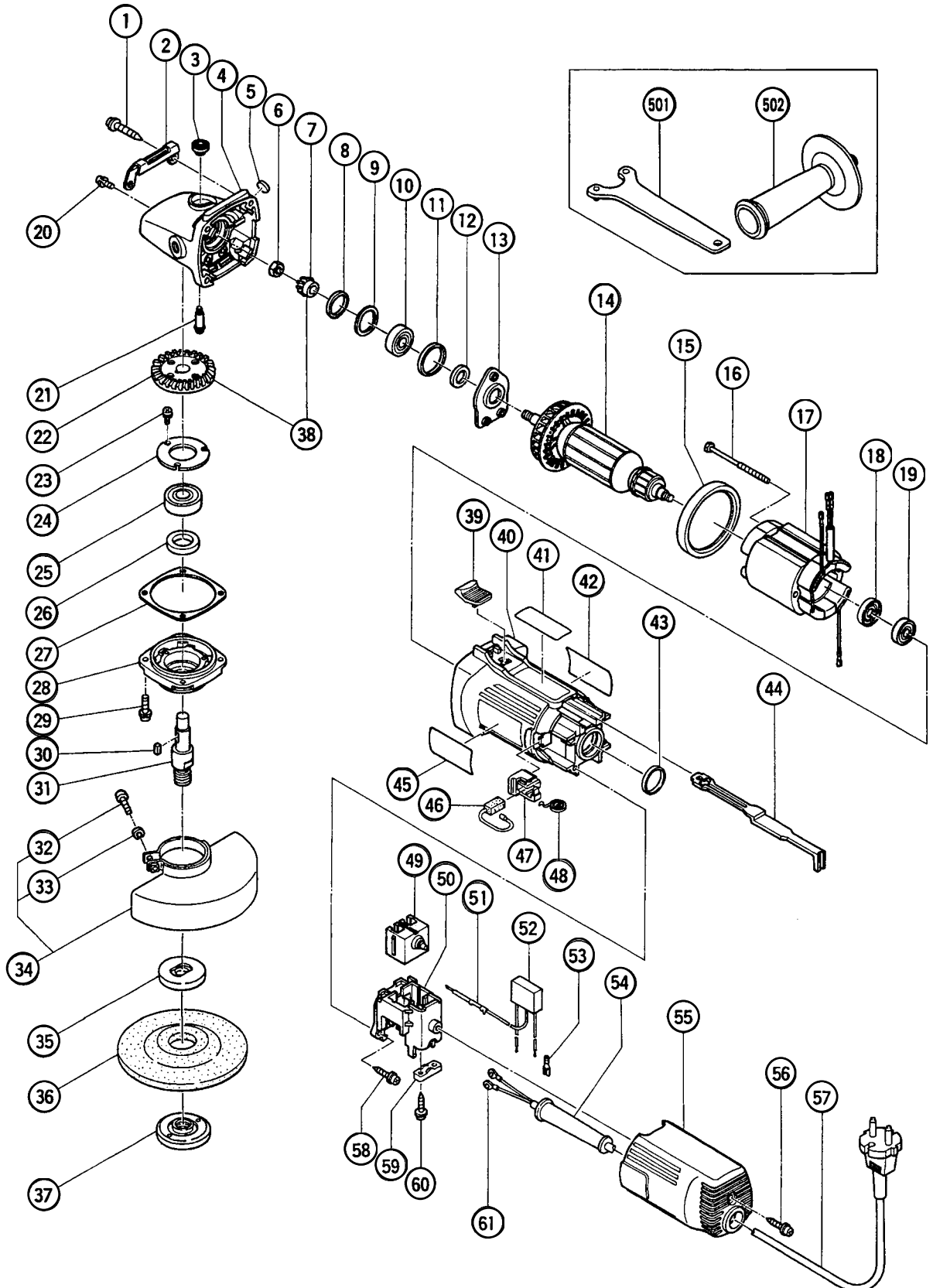


ELECTRIC TOOL PARTS LIST

■ DISC GRINDER
Model G 12SA2

2000・11・15
(E1)



PARTS

G 12SA2

ITEM NO.	CODE NO.	DESCRIPTION	NO. USED	REMARKS
1	937-807	TAPPING SCREW D5X25	4	
2	319-315	GUARD PLATE	1	
3	301-944	PUSHING BUTTON	1	
4	308-542	GEAR COVER ASS'Y	1	INCLUD.3,5,21
5	315-049	FELT WASHER	1	
6	301-941	SPECIAL NUT M7	1	
7	308-541	PINION	1	
8	308-543	SEAL RING (A)	1	
9	980-866	WASHER (C)	1	
10	629-T12	BALL BEARING 629T12DDC3PS2-L	1	
11	957-754	RUBBER RING	1	
12	994-320	FELT	1	
13	308-538	BEARING COVER	1	
* 14	360-541U	ARMATURE ASS'Y 120V	1	INCLUD.10,12,18,19
* 14	360-541E	ARMATURE 230V	1	
15	308-537	FAN GUIDE	1	
16	982-021	HEX. HD. TAPPING SCREW D4X70	2	
* 17	340-485D	STATOR 120V	1	
* 17	340-485E	STATOR 230V	1	
18	315-877	DUST SEAL	1	
19	608-VVM	BALL BEARING 608VVC2PS2L	1	
20	303-255	SEAL LOCK SCREW (W/SP. WASHER) M4X10	3	
21	301-943	LOCK PIN	1	
22	308-540	GEAR	1	
23	991-207	SEAL LOCK SCREW (W/SP. WASHER) M4X8	3	
24	936-680	BEARING COVER (B)	1	
25	620-1DD	BALL BEARING 6201DDCMPS2L	1	
26	308-546	FELT PACKING	1	
27	308-547	SEAL PACKING	1	
28	308-545	PACKING GLAND	1	
29	307-046	SEAL LOCK SCREW (W/SP. WASHER) M5X16	4	
30	944-109	FEATHER KEY 3X3X8	1	
* 31	994-301	SPINDLE (A)	1	
* 31	994-302	SPINDLE (B)	1	FOR USA,CAN
32	949-241	MACHINE SCREW M5X20 (10 PCS.)	1	
33	949-454	SPRING WASHER M5 (10 PCS.)	1	
34	315-157	WHEEL GUARD (A) ASS'Y	1	INCLUD.32,33
* 35	937-817Z	WHEEL WASHER	1	
* 35	937-928Z	WHEEL WASHER (A) FOR D16 HOLE	1	FOR USA,CAN
36	316-821	D. C. WHEELS 115MM A36Q (25 PCS.)	1	
* 37	994-324	WHEEL NUT M14	1	
* 37	937-923P	WHEEL NUT 5/8"-11UNC	1	FOR USA,CAN
38	308-539	GEAR ASS'Y	1	INCLUD.7,22
39	314-428	SLIDE KNOB	1	
40	319-314	HOUSING	1	
* 41		CAUTION PLATE	1	
* 42		NAME PLATE	1	
43	995-662	RUBBER RING	1	
44	319-317	SLIDE BAR	1	
45		HITACHI LABEL	1	
46	999-088	CARBON BRUSH (1 PAIR)	2	

* : ALTERNATIVE PARTS

11 - 00

