

HITACHI

LIST NO. E808

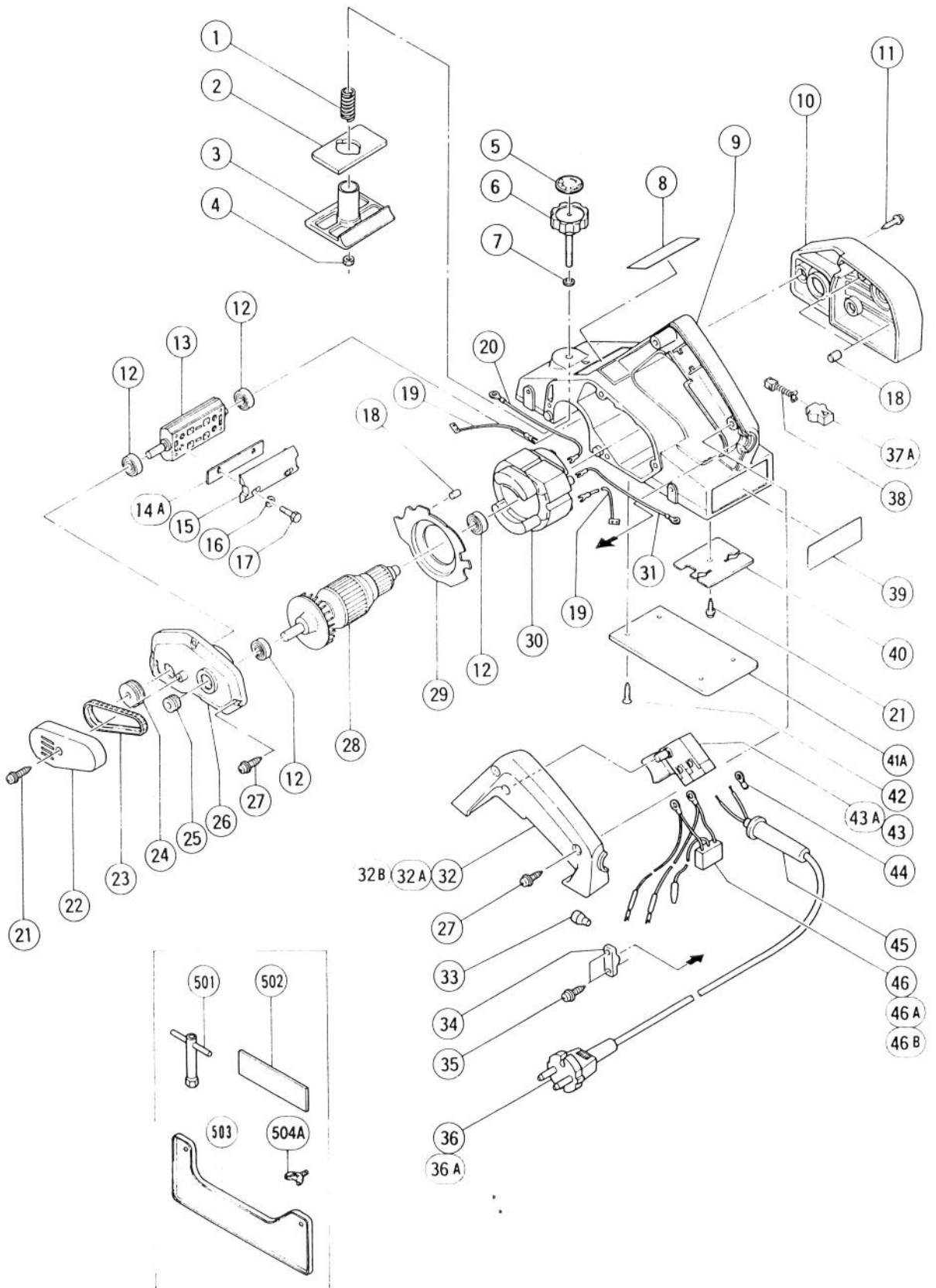
ELECTRIC TOOL PARTS LIST

■ PLANER

2000 · 2 · 25

Model FP 20SA

(E6)



PARTS

FP 20SA

ITEM NO.	CODE NO.	DESCRIPTION	NO. USED	REMARKS
1	943-608	ADJUSTING SPRING	1	
2	954-449	RUBBER PACKING	1	
3	995-740	FRONT BASE	1	
4	949-556	NUT M6 (10 PCS.)	1	
5	954-452	SCALE	1	
6	954-448	KNOB	1	
7	949-432	BOLT WASHER M6 (10 PCS.)	1	
8		HITACHI LABEL	1	
9	311-134	HOUSING (OFF BLACK GREEN)	1	
9	995-745	HOUSING (MOSS GREEN)	1	
10	995-734	TAIL COVER ASS'Y	1	INCLUD.18
11	930-446	TAPPING SCREW (W/WASHER) D4X16	3	
12	608-VVM	BALL BEARING 608VVMC2EPS2L	4	
13	954-444	CUTTER BLOCK ASS'Y	1	INCLUD.12
14A	879-417	PLANER BLADES (1 PAIR)	2	
15	954-447	BLADE HOLDER (1 PAIR)	2	
16	954-445	SPRING WASHER	4	
17	954-446	BOLT	4	
18	931-701	BEARING LOCK	4	
19	995-736	INTERNAL WIRE (A)	2	
20	995-743	INTERNAL WIRE (GRAY)	1	
21	982-034	TAPPING SCREW (W/WASHER) D4X12	2	
22	311-137	BELT COVER (OFF BLACK GREEN)	1	
22	995-739	BELT COVER (MOSS GREEN)	1	
23	995-732	BELT	1	
24	954-459	PULLEY (B)	1	
25	954-458	PULLEY (A)	1	
26	995-731	END BRACKET	1	
27	982-095	TAPPING SCREW (W/WASHER) D4X20	6	
28	360-056C	ARMATURE 110V-127V	1	
28	360-056E	ARMATURE 220V-230V	1	
28	360-056F	ARMATURE 230V-240V	1	FOR SIN,KUW,NGU,NZL,AUS,SAF
29	995-730	FAN GUIDE ASS'Y	1	INCLUD.18
30	340-090C	STATOR 110V-127V	1	
30	340-090E	STATOR 220V-230V	1	
30	340-090F	STATOR 230V-240V	1	FOR SIN,KUW,NGU,NZL,AUS,SAF
31	995-750	INTERNAL WIRE (RED)	1	
31	995-742	INTERNAL WIRE (RED)	1	FOR USA,AUS
32	311-136	HANDLE COVER (OFF BLACK GREEN)	1	FOR NZL,FRA,GRE (TILL 4.1996 FOR FRG, BEL,NOR)
32	995-748	HANDLE COVER (MOSS GREEN)	1	(TILL 12.1987 FOR ITA,HOL,TILL 9.1990 FOR GBR)
32A	995-751	HANDLE COVER (MOSS GREEN)	1	(SINCE 1.1988-TILL 4.1995 FOR ITA,HOL, SINCE 10.1990-TILL 4.1995 FOR GBR)
32B	311-135	HANDLE COVER (OFF BLACK GREEN)	1	SINCE 5.1995 FOR ITA,HOL,GBR, SINCE 5.1996 FOR FRG,BEL,NOR
33	959-140	CONNECTOR 50091 (10 PCS.)	1	
34	960-266	CORD CLIP	1	
35	984-750	TAPPING SCREW (W/FLANGE) D4X16	2	
36	500-240Z	CORD	1	(CORD ARMOR D8.2) FOR USA
36	500-245Z	CORD	1	(CORD ARMOR D10.2) FOR SYR

