

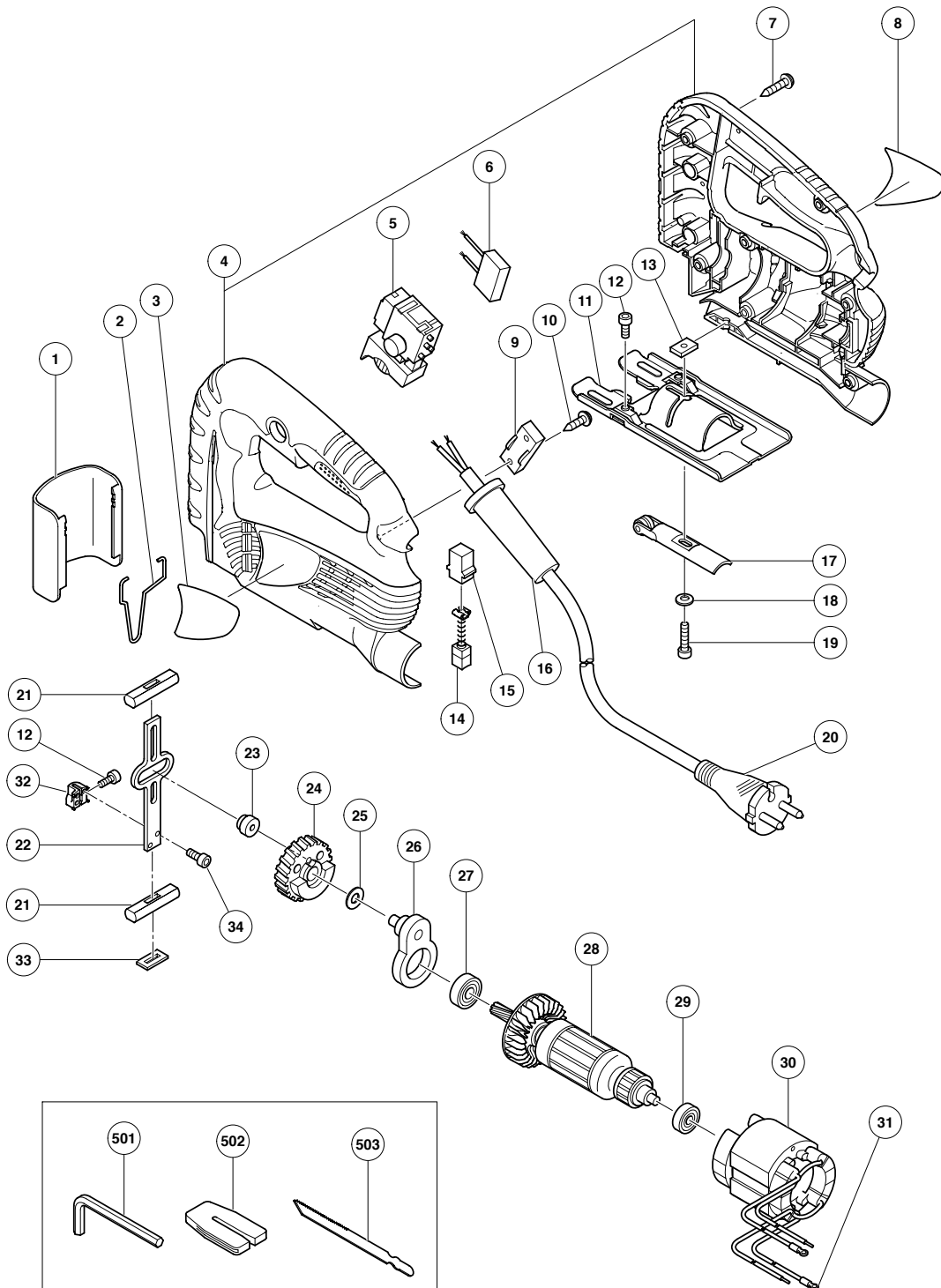
ELECTRIC TOOL PARTS LIST

■ JIG SAW

2005 · 9 · 20

Model FCJ 65V3

(E1)



PARTS

ITEM NO.	CODE NO.	DESCRIPTION	NO. USED	REMARKS
1	325-163	CHIP COVER	1	
2	325-164	GUARD BAR	1	
3		HITACHI LABEL	1	
4	325-167	HOUSING (A).(B) SET	1	
5	323-086	SWITCH (1P PILLAR TYPE)	1	
* 6	930-039	NOISE SUPPRESSOR	1	FOR NZL, AUS, SAF, EUROPE, AUT, CHN
7	301-653	TAPPING SCREW (W/FLANGE) D4X20 (BLACK)	7	
8		NAME PLATE	1	
9	960-266	CORD CLIP	1	
10	984-750	TAPPING SCREW (W/FLANGE) D4X16	2	
11	325-161	BASE	1	
12	949-811	HEX. SOCKET HD. BOLT M4X8 (10 PCS.)	2	
13	962-991	PLATE NUT	1	
14	999-041	CARBON BRUSH (1 PAIR)	2	
15	930-483	BRUSH HOLDER	2	
* 16	930-487	CORD ARMOR D8.2	1	
* 16	930-026	CORD ARMOR D10.2	1	
17	325-162	ROLLER HOLDER	1	
18	949-429	BOLT WASHER M4 (10 PCS.)	1	
19	949-754	HEX. SOCKET HD. BOLT M4X16 (10 PCS.)	1	
* 20	500-409Z	CORD	1	(CORD ARMOR D8.2)
* 20	500-447Z	CORD	1	(CORD ARMOR D10.2) FOR SYR
* 20	500-423Z	CORD	1	(CORD ARMOR D8.2) FOR SIN, KUW
* 20	500-439Z	CORD	1	(CORD ARMOR D8.2) FOR NZL, AUS
* 20	500-468Z	CORD	1	(CORD ARMOR D8.2) FOR THA, CHN
21	325-159	PLUNGER HOLDER	2	
22	325-246	PLUNGER	1	
23	325-158	CONNECTING PIECE	1	
24	325-157	GEAR	1	
25	991-733	WASHER (C)	1	
26	325-155	HOLDER	1	
27	608-VVM	BALL BEARING 608VVC2PS2L	1	
* 28	360-724E	ARMATURE 220V-230V	1	
* 28	360-724F	ARMATURE 240V	1	
29	626-VVM	BALL BEARING 626VVC2PS2L	1	
* 30	340-631E	STATOR ASS'Y 220V-230V	1	INCLUD. 31
* 30	340-631F	STATOR ASS'Y 240V	1	INCLUD. 31
31	960-356	TERMINAL (A) M3.5 (10 PCS.)	2	
32	325-247	BLADE HOLDER	1	
33	325-248	FELT	1	
34	325-241	SEAL LOCK HEX. SOCKET HD. BOLT M3X8	2	

