

PARTS CATALOG

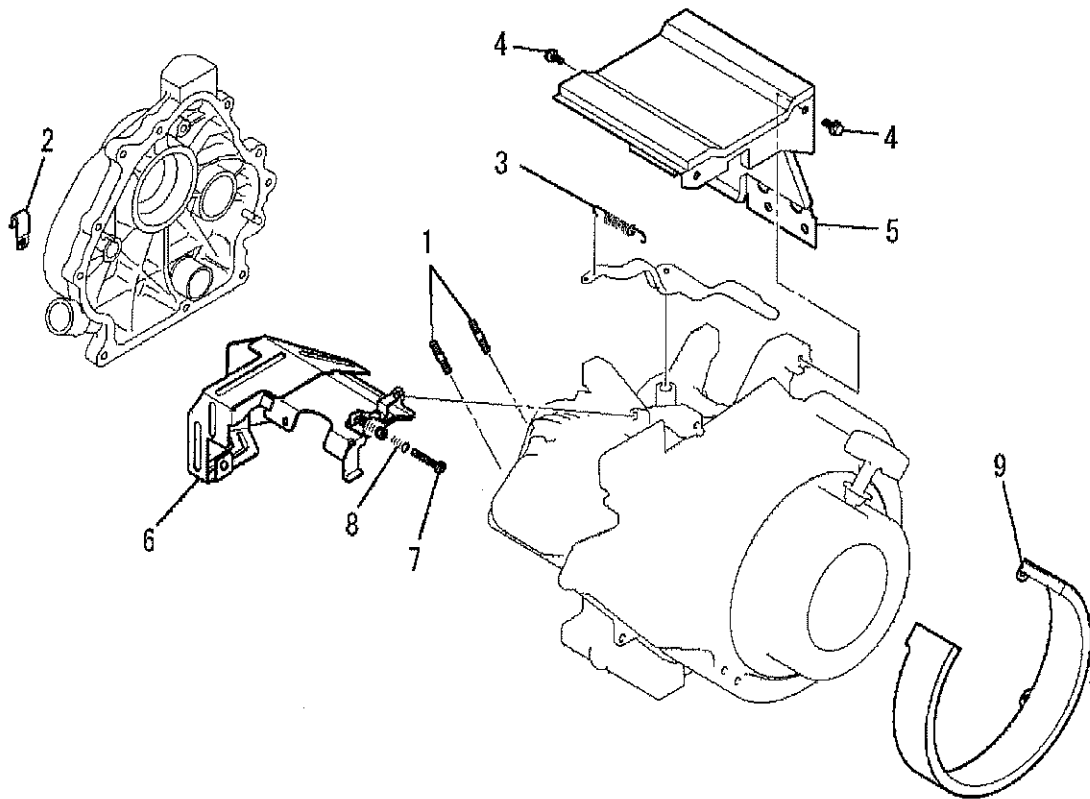
MITSUBISHI GENERATOR

MODEL E50MA (MGE5800-J52)

AUG., 2007

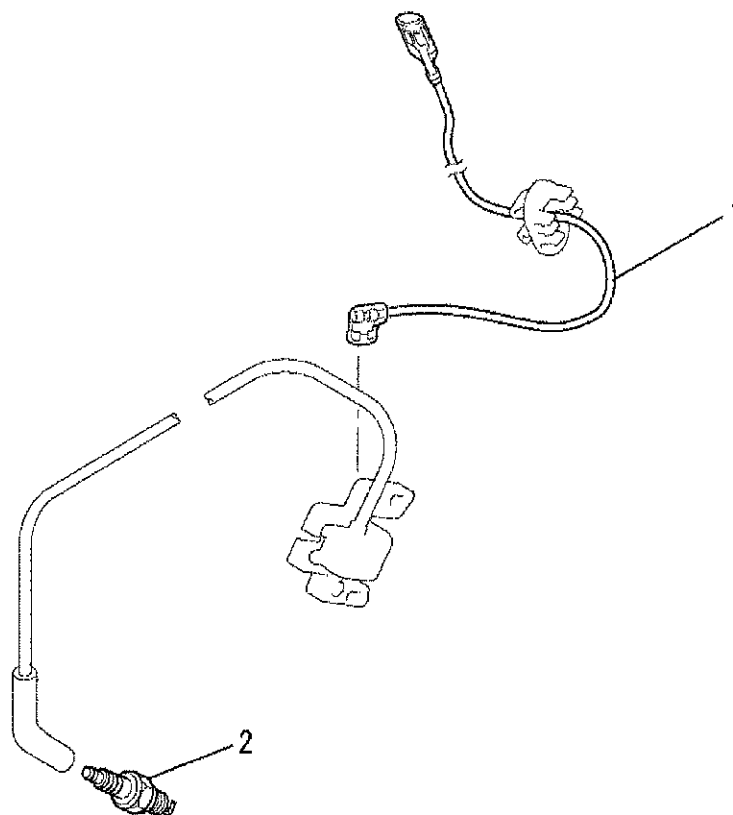
MITSUBISHI HEAVY INDUSTRIES, LTD.

1. BOLT, SPRING, COVER



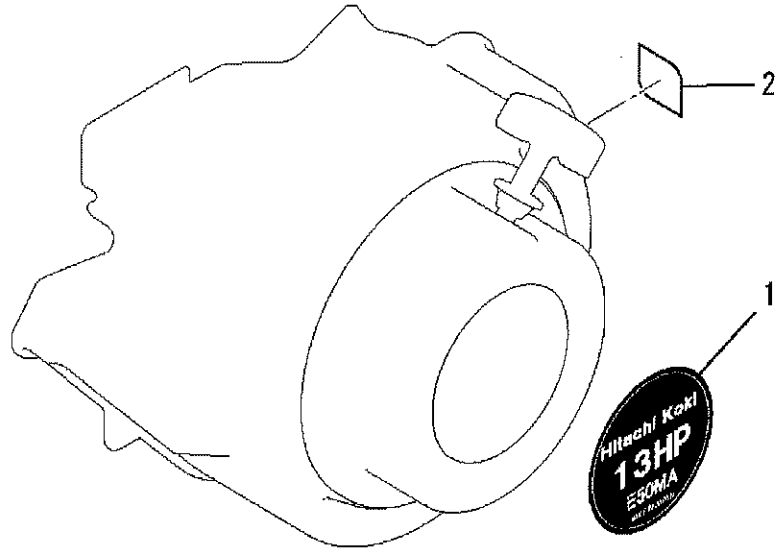
No.	R/N	Parts No.	Parts Name	No. Req'd	Inte	Remarks	Serial No. (From~To)
1		B155B08X020	BOLT, STUD	2			
2		FR56780	CLAMP	1			
3		KG34017GA	SPRING, GOV	1			
4		B805B06X016	BOLT, FLANGE	3			
5		KH04028AA	COVER ASSY	1			
6		KH60020AA	BAFFLE, CYLINDER	1		INCL. NO. 7, 8	
7		KU14032AA	BOLT	1			
8		KU80017AA	SPRING	1			
9		KS40015AA	BAFFLE, DUST	1			

2. LEAD WIRE, PLUG, CAP



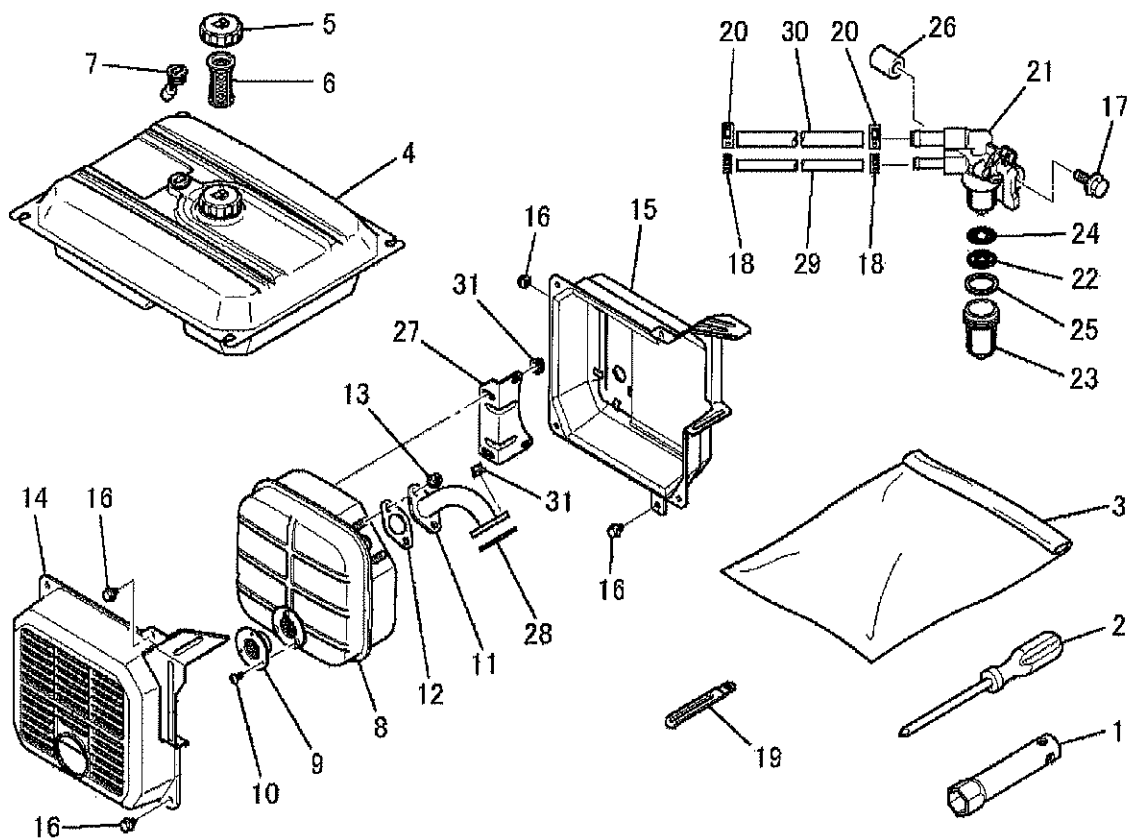
No.	R/N	Parts No.	Parts Name	No. Req'd	Inte	Remarks	Serial No. (From~To)
1		KE90069CA	WIRE, LEAD	1			
2		KE41005AA	PLUG, SPARK	1		BPR5ES	

3. LABEL, FUEL HOSE



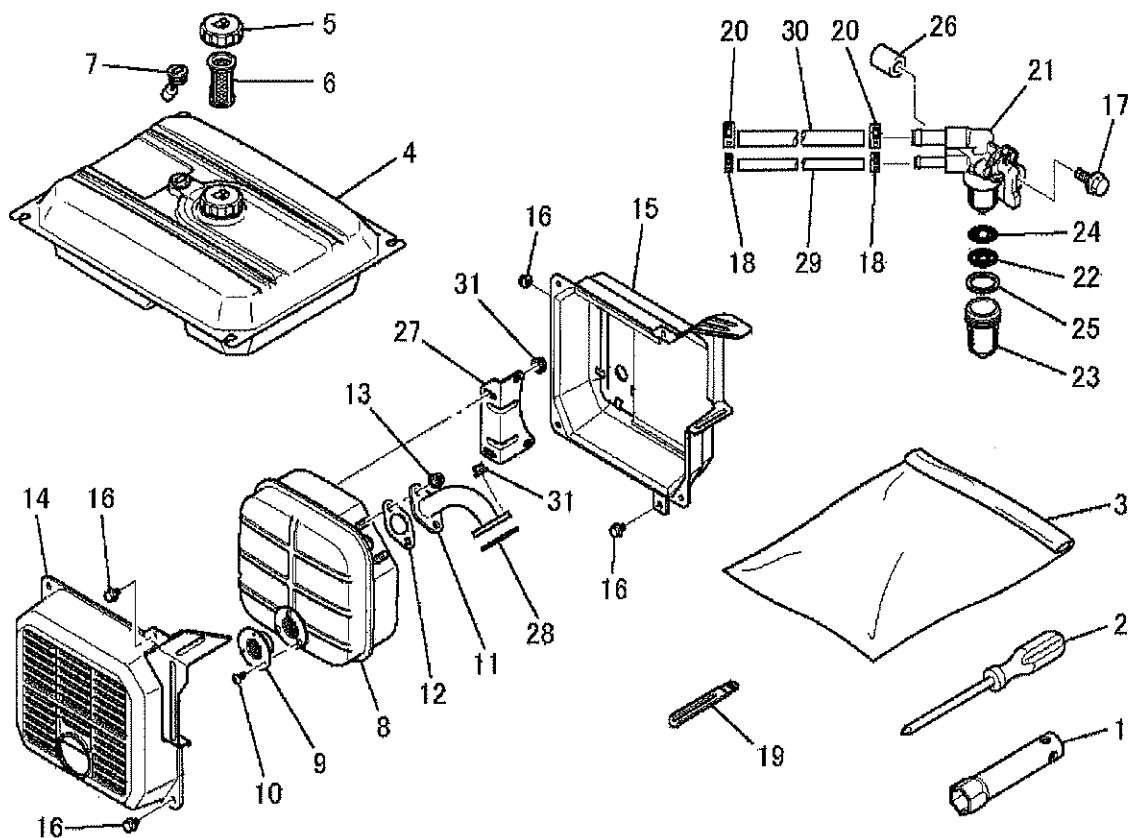
No.	R/N	Parts No.	Parts Name	No. Req'd	Inte	Remarks	Serial No. (From~To)
1		KW52185FB	LABEL, NAME	1			
2		KW56282FA	LABEL	1			

4. TOOL SET



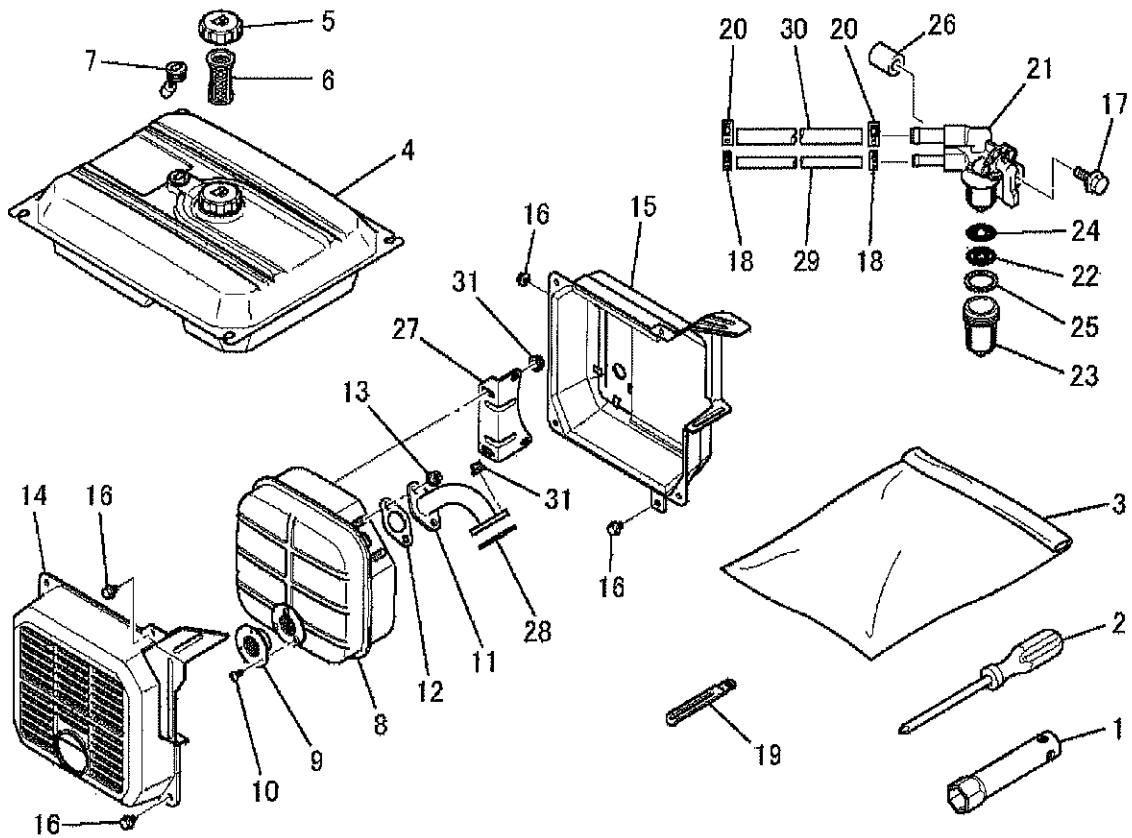
No.	R/N	Parts No.	Parts Name	No. Req'd	Inte	Remarks	Serial No. (From~To)
1		KN12004CA	SPANNER, BOX	1			
2		KN13001AA	DRIVER, SCREW	1			
3		FA21533D	BAG, TOOL	1			
4		KF04093AH	FUEL TANK ASSY	1		INCL. NO. 5-7	
5		KF05010CA	TANK CAP ASSY	1			
6		KF40003AA	FILTER, FUEL	1			
7		KF90080DA	GAUGE, OIL	1			
8		KM17024AA	MUFFLER	1		INCL. NO. 9. 10	
9		KM17024AA015	SCREEN	1			
10		W006D04X008K	SCREW	3			
11		KM30007AA	PIPE, EXHAUST	1			
12		KM70032AB	GASKET, MUFFLER	1			

4. TOOL SET



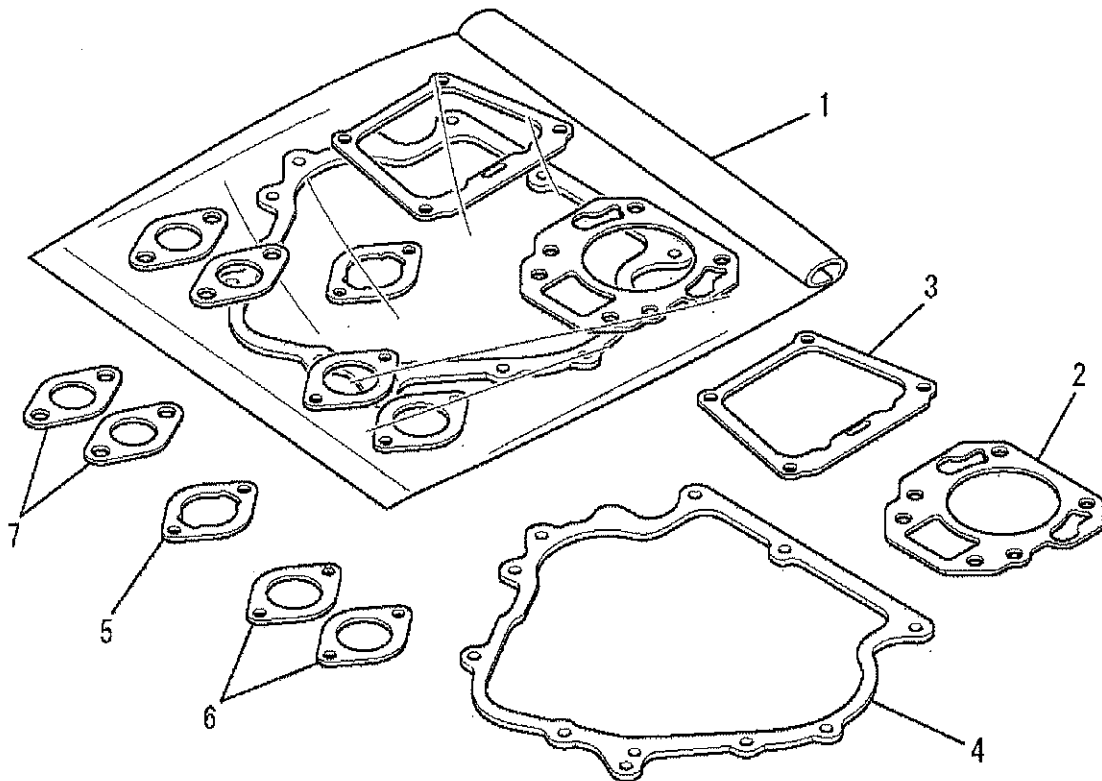
No.	R/N	Parts No.	Parts Name	No. Req'd	Inte	Remarks	Serial No. (From~To)
13		ZZ70028C	NUT, CONICAL SPG	2			
14		KM04013AA	MUFFLER COVER ASSY	1			
15		KM04014AA	MUFFLER COVER ASSY	1			
16		B800A06X008K	BOLT, FLANGE	7			
17		B800A06X025	BOLT, FLANGE	1			
18		FR53226A	CLIP	2			
19		FR64917A	CLAMP	1			
20		FR67419	CLIP	2			
21		KF31036BA	COCK, FUEL	1		INCL. NO. 22-25	
22		KF31035AA012	PACKING	1			
23		KF31036AA106	CUP	1			
24		KF31035AA003	FILTER, FUEL	1			

4. TOOL SET



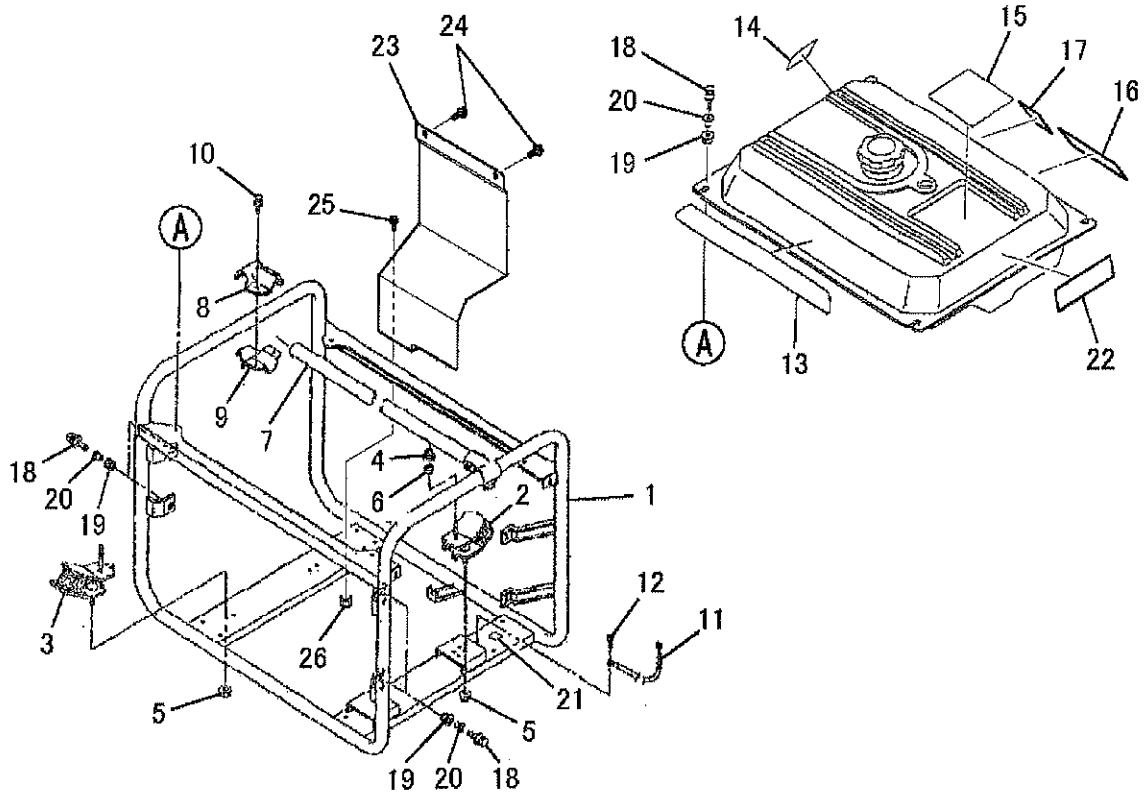
No.	R/N	Parts No.	Parts Name	No. Req'd	Inte	Remarks	Serial No. (From~To)
25		KF31035AA102	PACKING	1			
26		KF90105AA	SPACER	1			
27		KM60015AA	BRACKET, MUFFLER	1			
28		KM70032AB	GASKET, MUFFLER	1			
29		P051Y06X220	HOSE, FUEL	1			
30		P051Y08X490	HOSE, FUEL	1			
31		ZZ70028C	NUT, CONICAL SPG	4			

5. GASKET SET



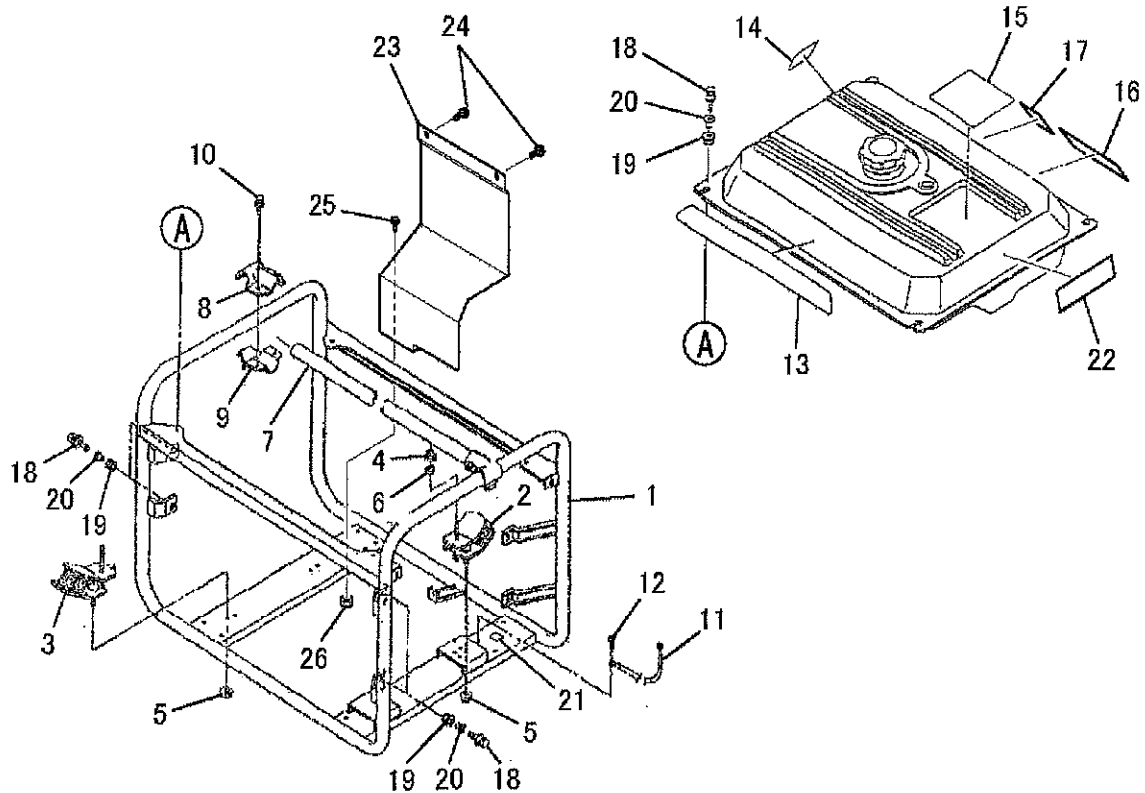
No.	R/N	Parts No.	Parts Name	No. Req'd	Inte	Remarks	Serial No. (From~To)
1		KW39068YA	GASKET SET	1		INCL. NO. 2-7	
2		KC68001AA	GASKET, HEAD	1			
3		KW33003AA	GASKET, HEAD COVER	1			
4		KW31010AA	GASKET, CRANKCASE	1			
5		KW34055AA	GASKET, CARBURETOR	1			
6		KW34052AA	GASKET, CARBURETOR	2			
7		KM70032AB	GASKET, MUFFLER	2			

6. FRAME & TANK



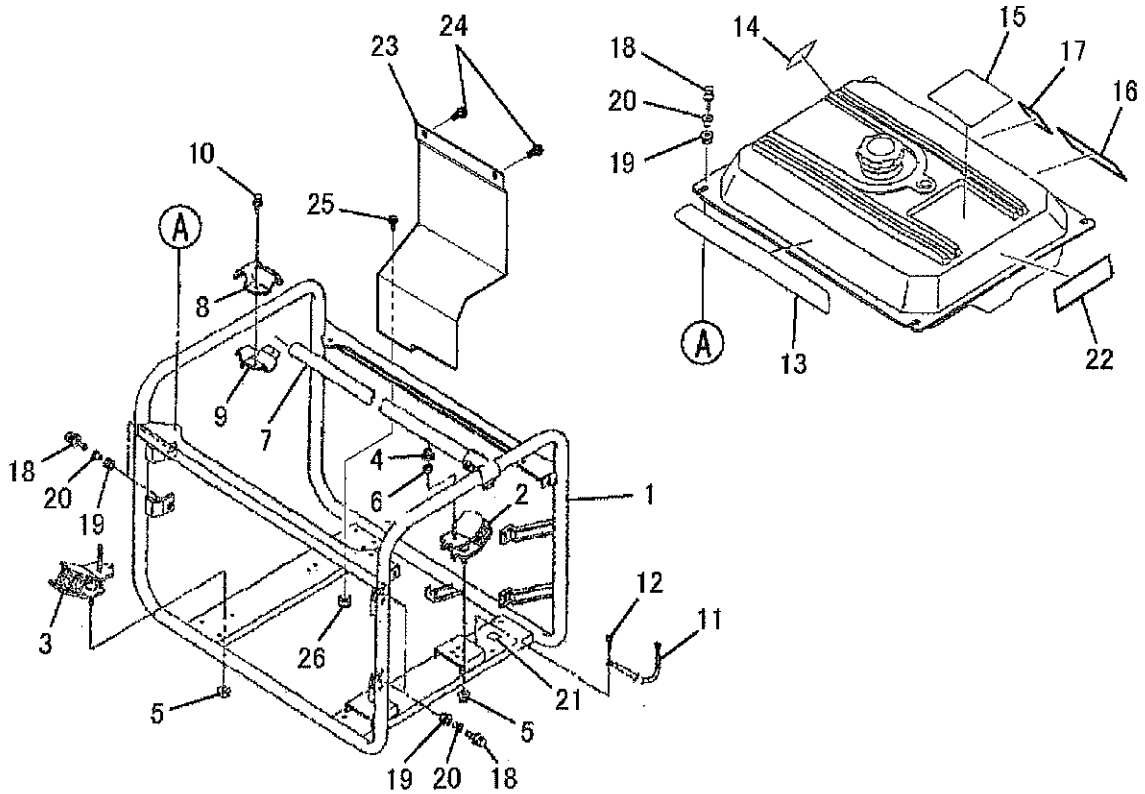
No.	R/N	Parts No.	Parts Name	No. Req'd	Inte	Remarks	Serial No. (From~To)
1		KYF011005300	MG PIPE FRAME UN	1			
2		KYG060000842	MG RUBBER MOUNT UN	2			
3		KYG060000871	MG RUBBER MOUNT UN	2			
4		KY0022010000	NUT, FLANGE	4			
5		KY0022008000	NUT, FLANGE	2			
6		KY0030010000	WASHER	1			
7		KYF272000011	MG FRAM, PIPE	2			
8		KYF052000020	CLAMP	4			
9		KYF052000030	CLAMP	4			
10		KY0013006020	MG BOLT	8			
11		KYF070000240	MG EARTH WIRE	1			
12		KY0011305012	SCREW&WASHER	1			

6. FRAME & TANK



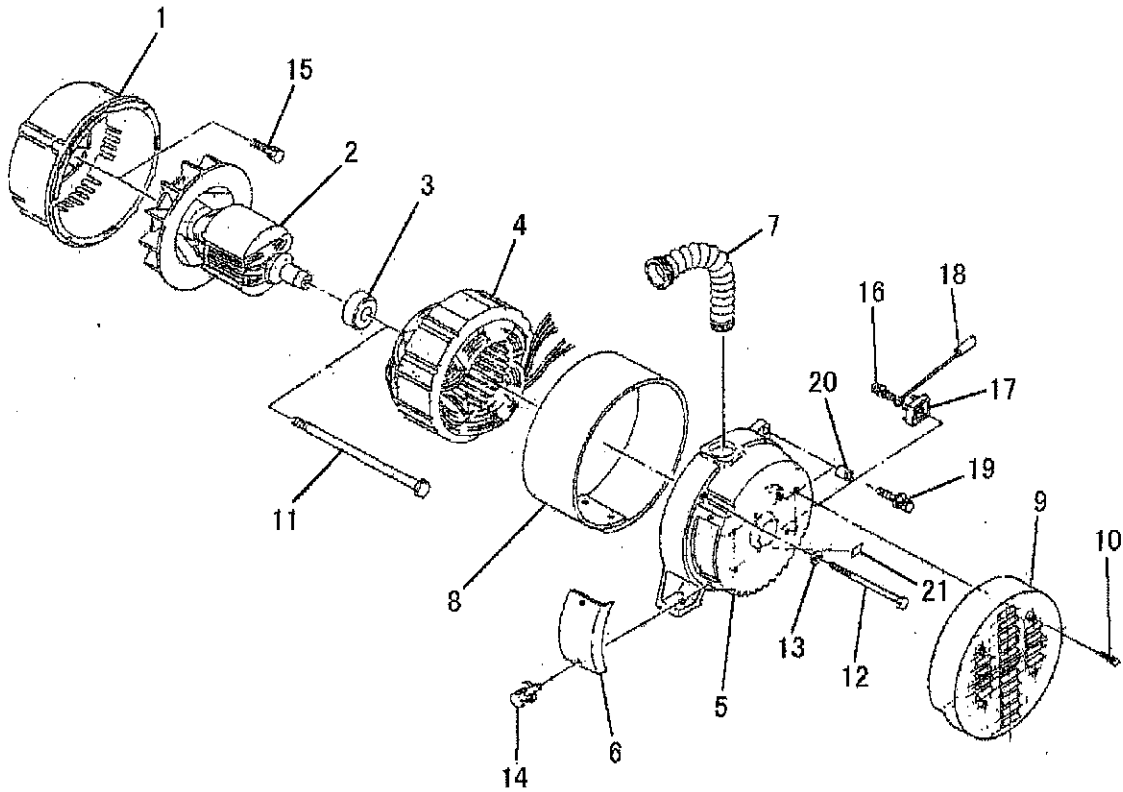
No.	R/N	Parts No.	Parts Name	No. Req'd	Inte	Remarks	Serial No. (From~To)
13		KYC011402540	MG LABEL (BRAND)	1			
14		KYC081000450	LABEL	1			
15		KYT020002790	MG LABEL	1			
16		KYT020002061	MG LABEL	1			
17		KYB13MX00930	MG LABEL, NOISE	1			
18		KY0012906020	MG BOLT, FLANGE	8			
19		KU50018AA	BUSH	8			
20		KU50019AA	SPACER	8			
21		KYC011700081	MG LABEL, EARTH MARK	1			
22		KYB12M330930	MG LABEL, SPEC	1			
23		KY09001AA	COVER ASSY	1			
24		KY0012906010	MG BOLT, FLANGE	2			

6. FRAME & TANK



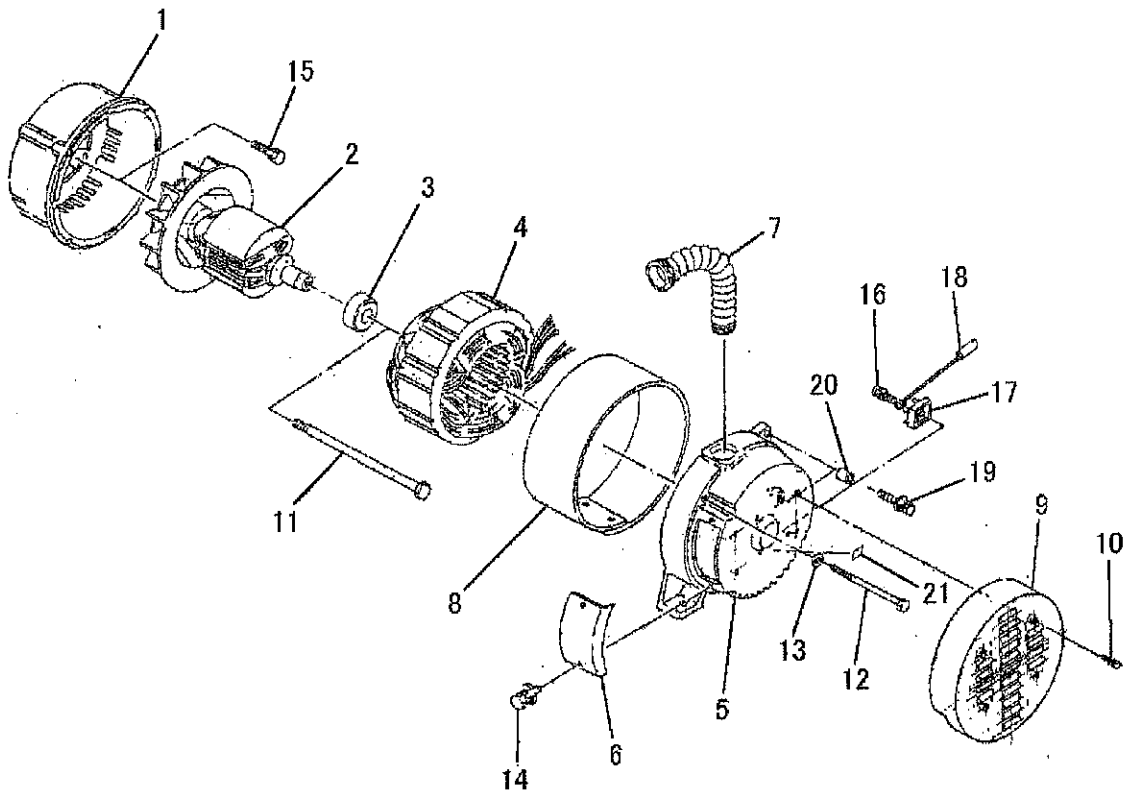
No.	R/N	Parts No.	Parts Name	No. Req'd	Inte	Remarks	Serial No. (From~To)
25		KY0012908012	MG BOLT, FLANGE	2			
26		KY0021908000	NUT	2			

7. GRNERATOR



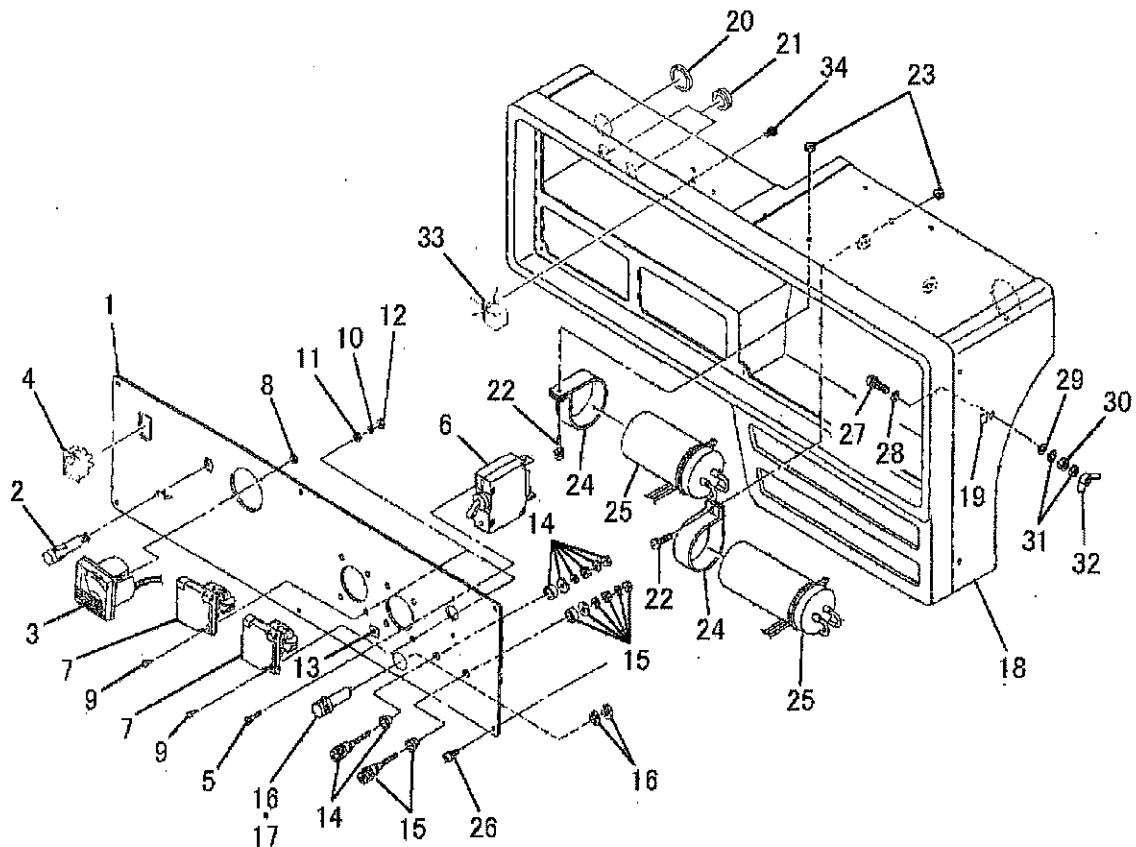
No.	R/N	Parts No.	Parts Name	No. Req'd	Inte	Remarks	Serial No. (From~To)
1		KYG010000552	MG BRACKET, FRONT	1			
2		KYG020001122	MG ROTOR	1			
3		KY0006205DDU	BEARING, BALL	1			
4		KYG040007931	MG STATOR CP	1			
5		KYG080001122	MG BRACKET, REAR	1			
6		KYG110000020	MG BRUSH COVER	1			
7		KYG070000270	MG BUSHING	1			
8		KYG120001331	COVER	1			
9		KYG140000160	MG COVER	1			
10		KY0013005020	MG BOLT, FLANGE	4			
11		KY0013510250	BOLT	1			
12		KY0013508160	BOLT	4			

7. GRNERATOR



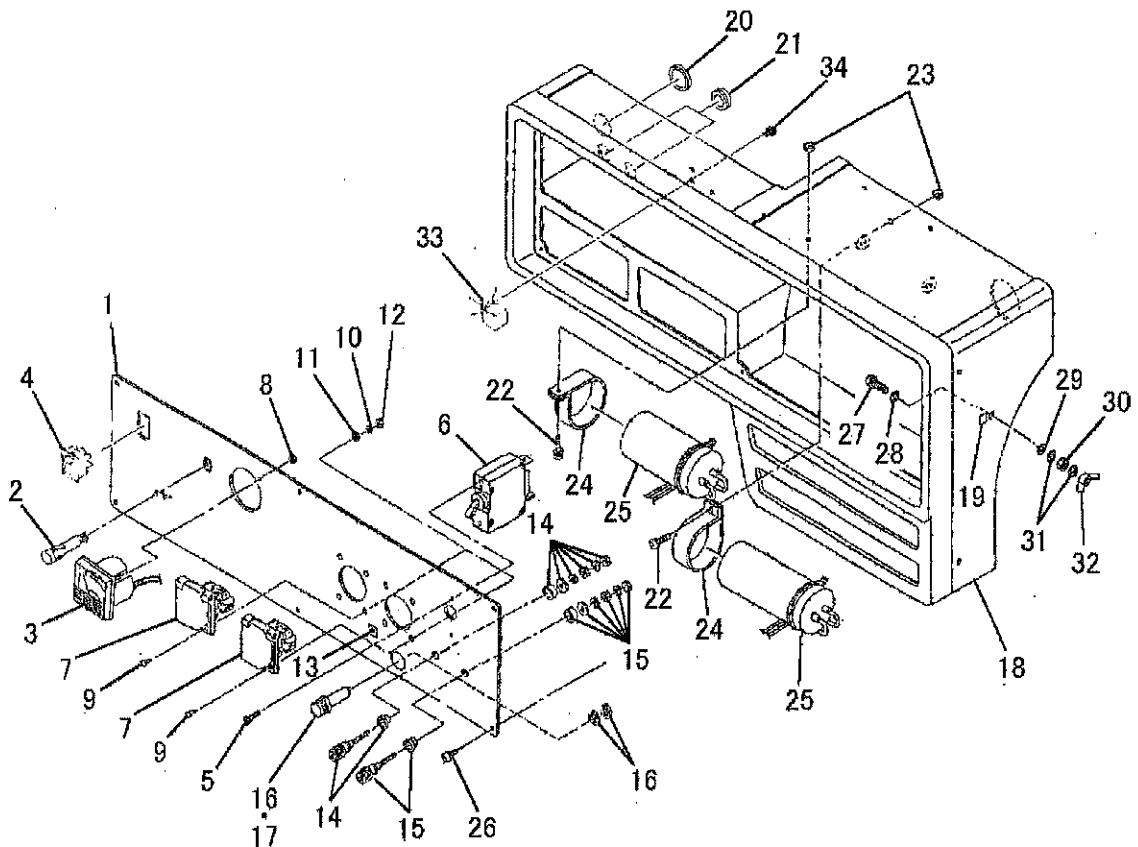
No.	R/N	Parts No.	Parts Name	No. Req'd	Inte	Remarks	Serial No. (From~To)
13		KY0030308000	WASHER, SPG	4			
14		KY0013705012	BOLT&WASHER	2			
15		KY0013708020	MG BOLT	4			
16		KY0011204020	MG SCREW	1			
17		KY015S15VB20	MG DIODE STAK	1			
18		KYC190000620	MG WIRE CP	1			
19		KY0013708040	MG BOLT	2			
20		KYG150000460	MG SPACER	2			
21		KYC011700081	MG LABEL, EARTH MARK	1			

8. CONTROL BOX



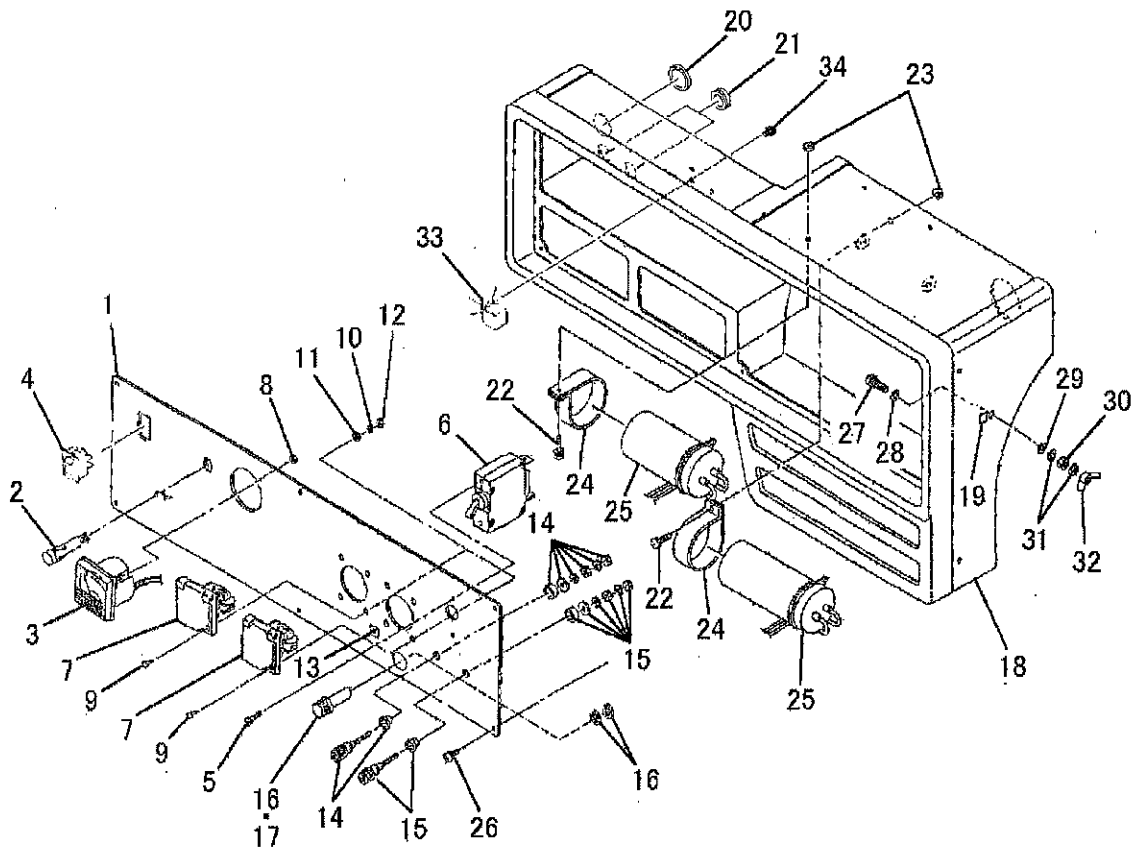
No.	R/N	Parts No.	Parts Name	No. Req'd	Inte	Remarks	Serial No. (From~To)
1		KYC011019550	MG PANEL A PRINT	1			
2		KY01401220R0	MG LAMP, PILOT	1			
3		KY00412240A1	MG VOLT METER	1			
4		KY0130752006	MG SWITCH	1			
5		KY0013303005	MG SCREW	2			
6		KY0080010020	MG BREAKER	1			
7		KY0069210216	MG RECEPTACLE	2			
8		KY0021903000	NUT	2			
9		KY0010203015	SCREW&WASHER	8			
10		KY0030303000	MG WASHER, SPRING	8			
11		KY0030003000	WASHER	8			
12		KY0020003000	NUT	8			

8. CONTROL BOX



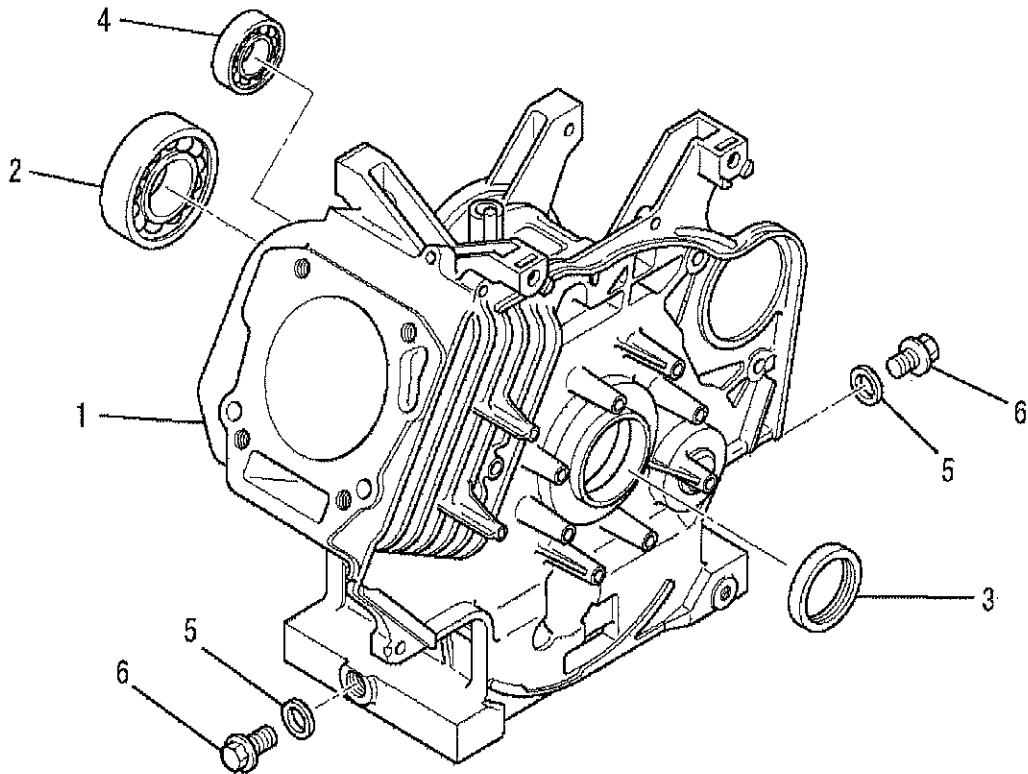
No.	R/N	Parts No.	Parts Name	No. Req'd	Inte	Remarks	Serial No. (From~To)
13		KYT020002080	MG LABEL	1			
14		KY009211201R	MG TERMINAL ASSY	1			
15		KY009211201B	MG TERMINAL ASSY	1			
16		KY0110100010	MG HOLDER, FUSE	1			
17		KY0120000010	MG FUSE	1		10A	
18		KY90074BA	PANEL, CONTROL	1			
19		KYC011700081	MG LABEL, EARTH MARK	1			
20		KY0321322512	MG GROMMET	1			
21		KY0321140908	MG GROMMET	2			
22		KY0011204010	SCREW&WASHER	2			
23		KY0020004000	MG NUT	2			
24		KYC222000010	MG CONDENSER BRACKET	2			

8. CONTROL BOX



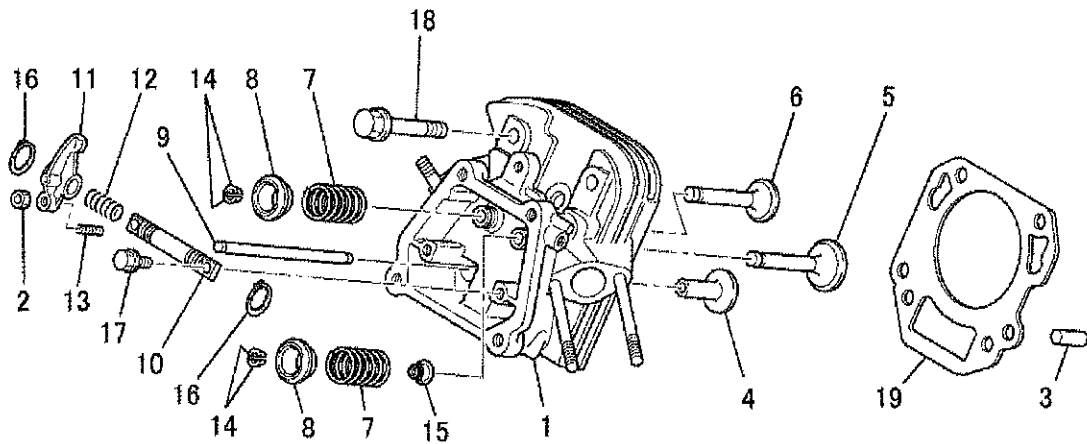
No.	R/N	Parts No.	Parts Name	No. Req'd	Inte	Remarks	Serial No. (From~To)
25		KYC220000131	CONDENSER	1			
26		KY0013304008	MG SCREW	6			
27		KY0010205025	MG SCREW	1			
28		KY0031205000	MG WASHER, SPG	1			
29		KY0030105000	MG WASHER	1			
30		KY0021905000	MG NUT	1			
31		KY0030405000	WASHER, SPG	2			
32		KY0021805000	MG WING NUT	1			
33		FA28217D	RECTIFIER	1			
34		KY0012906010	MG BOLT, FLANGE	1			

(A) CYLINDER BLOCK GROUP



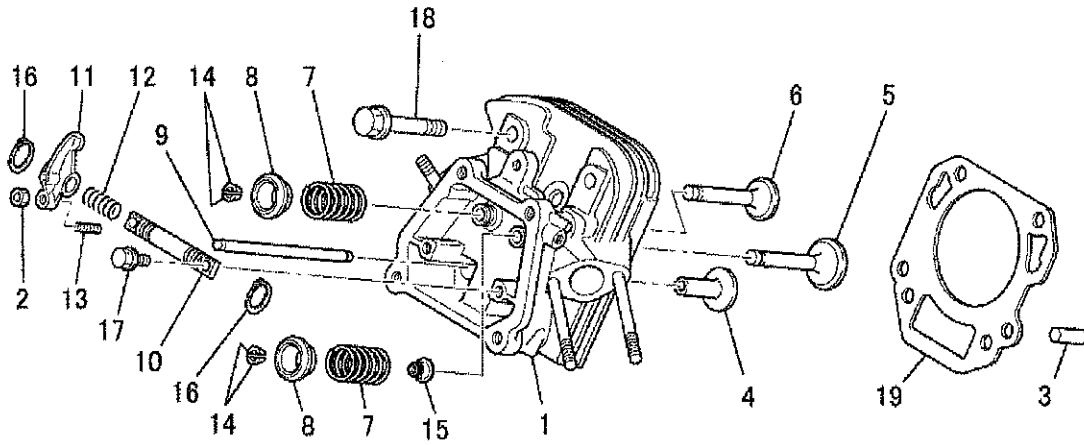
No.	R/N	Parts No.	Parts Name	No. Req'd	Inte	Remarks	Serial No. (From~To)
1		KB47001CA	CYLINDER BLOCK	1			
2		KW11006AA	BEARING, BALL	1			
3		KW29002AA	OIL SEAL	1			
4		S111X62X030	BEARING, BALL	1		#6203	
5		ZZ70013A	GASKET	2			
6		FN11223	PLUG, DRAIN	2			

(B) CYLINDER HEAD GROUP



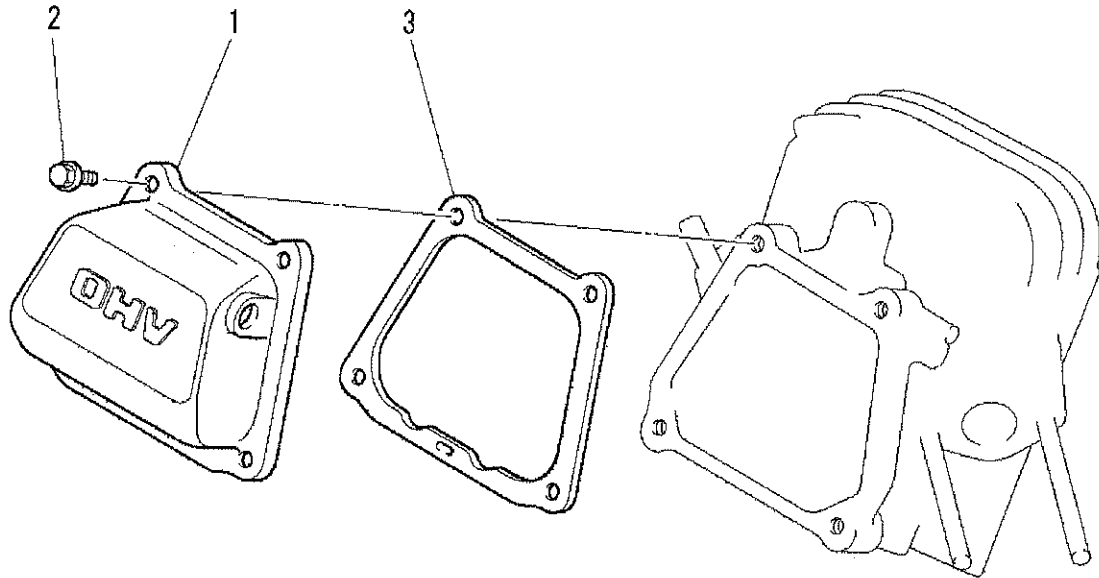
No.	R/N	Parts No.	Parts Name	No. Req'd	Inte	Remarks	Serial No. (From~To)
1		KC02033AA	CYLINDER HEAD ASSY	1		WITH B155B06X095	
2		FR46870	NUT	2			
3		KU44001AA	PIN, DOWEL	2			
4		KV25001AA	TAPPET	2			
5		KV37002AA	VALVE, INTAKE	1			
6		KV45007AA	VALVE, EXHAUST	1			
7		KV56001AA	SPRING, VALVE	2			
8		KV68002AA	RETAINER, VALVE SPG	2			
9		KV71011AA	ROD, PUSH	2			
10		KV72004AA	SHAFT, ROCKER ARM	1			
11		KV72005AA	ARM, ROCKER	2			
12		KV72006AA	SPRING, ROCKER SHAFT	1			

(B) CYLINDER HEAD GROUP



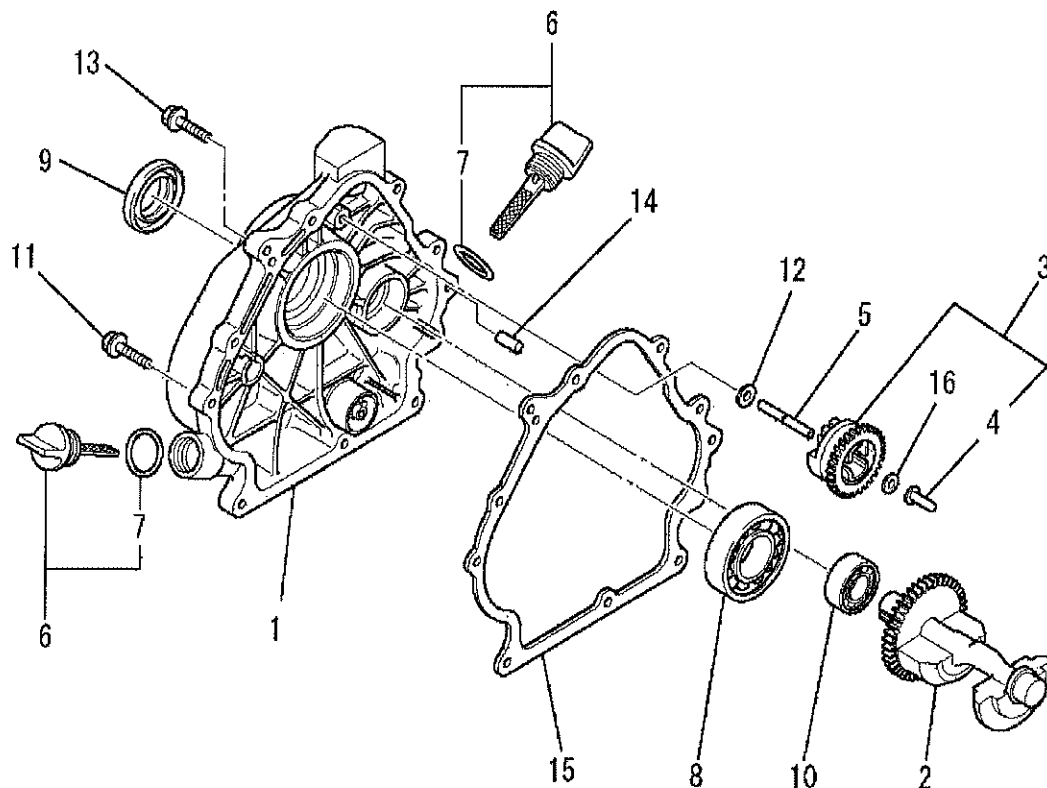
No.	R/N	Parts No.	Parts Name	No. Req'd	Inte	Remarks	Serial No. (From~To)
13		KV73003AA	SCREW, ADJUST	2			
14		KV75007AA	COTTER	4			
15		KW21019AA	SEAL, VALVE STEM	1			
16		S510P12	SNAP RING	2			
17		B800B06X020	BOLT, FLANGE	2			
18		B800B10X065	BOLT, FLANGE	4			
19		KC68001AA	GASKET, HEAD	1			

(C) HEAD COVER GROUP



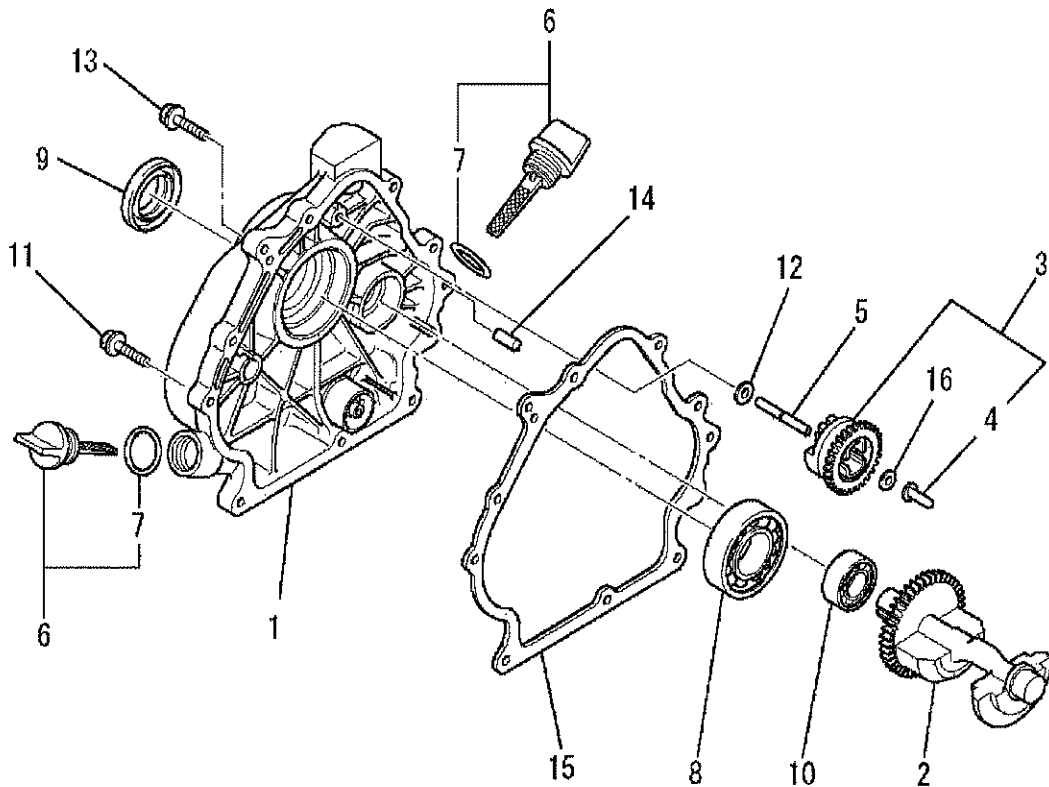
No.	R/N	Parts No.	Parts Name	No. Req'd	Inte	Remarks	Serial No. (From~To)
1		KC09004AA	COVER, HEAD	1			
2		B805B06X012	BOLT, FLANGE	4			
3		KW33003AA	GASKET, HEAD COVER	1			

(D) CASE COVER GROUP



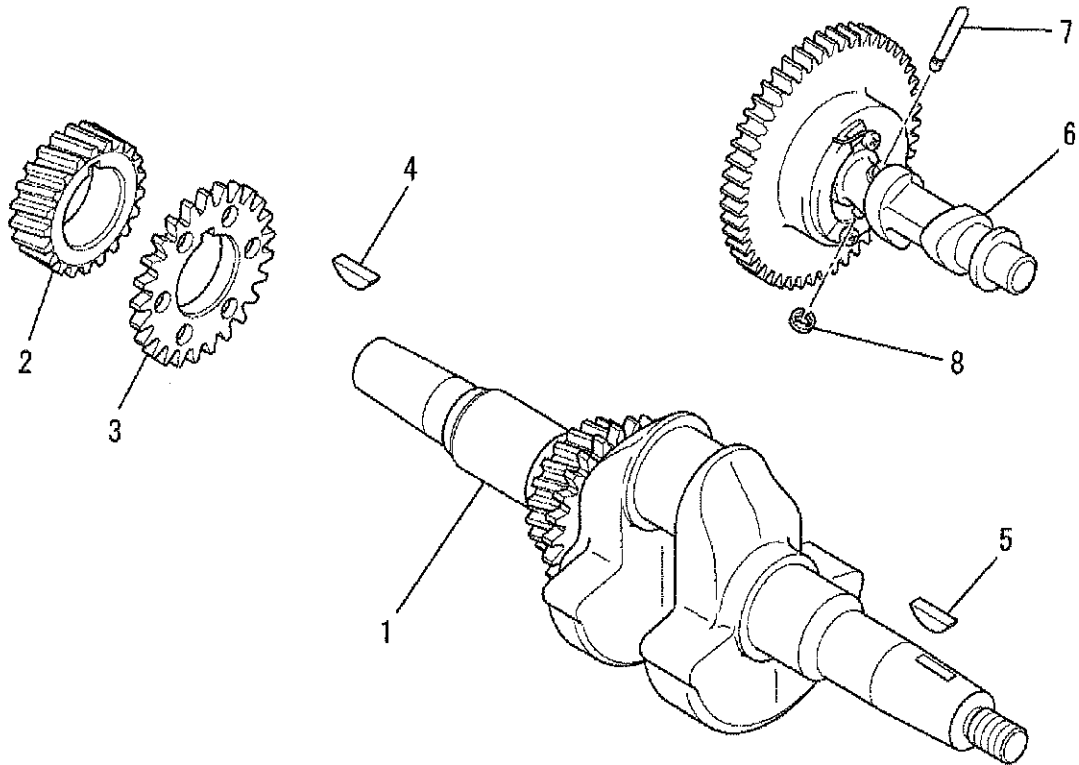
No.	R/N	Parts No.	Parts Name	No. Req'd	Inte	Remarks	Serial No. (From~To)
1		KB67001EA	COVER, CRANKCASE	1			
2		KD51003AA	SHAFT, BALANCER	1			
3		KG01003CA	GOVERNOR GEAR ASSY	1		INCL. NO. 4	
4		KG14004AA	SLIDER, GOV	1			
5		KG22004AA	SHAFT, GOV	1			
6		KL21010EA	GAUGE, OIL	2		INCL. NO. 7	
7		KW29006AA	O-RING	2			
8		KW11006AA	BEARING, BALL	1			
9		KW29002AA	OIL SEAL	1			
10		S111X62X030	BEARING, BALL	1		#6203	
11		B800B08X030	BOLT, FLANGE	8			
12		FA28247	SPACER	1			

(D) CASE COVER GROUP



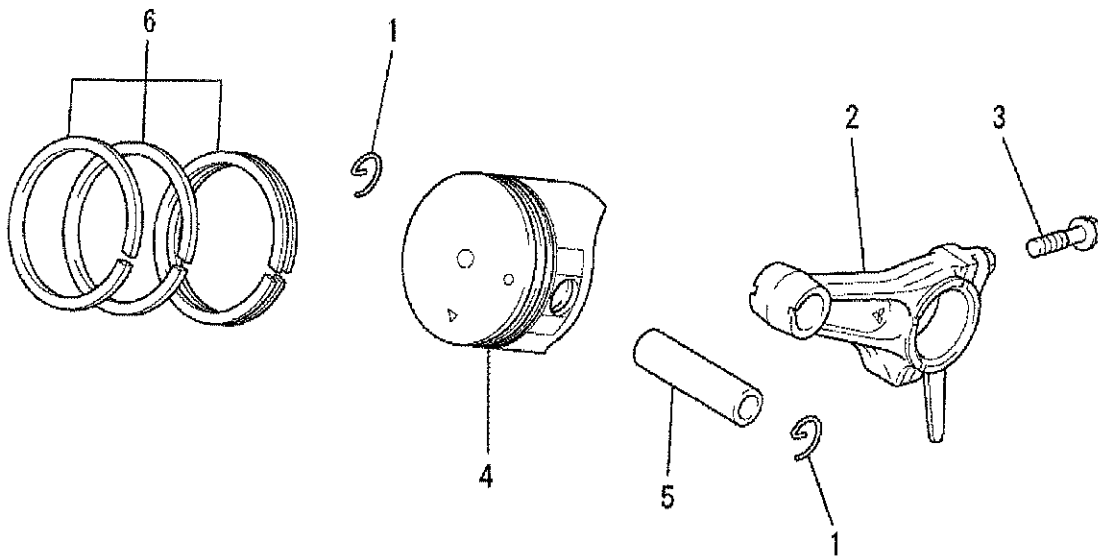
No.	R/N	Parts No.	Parts Name	No. Req'd	Inte	Remarks	Serial No. (From~To)
13		KU14031AA	BOLT, FLANGE	1			
14		KU44001AA	PIN, DOWEL	2			
15		KW31010AA	GASKET, CRANKCASE	1			
16		FR67347A	WASHER	1			

(E) CRANKSHAFT GROUP



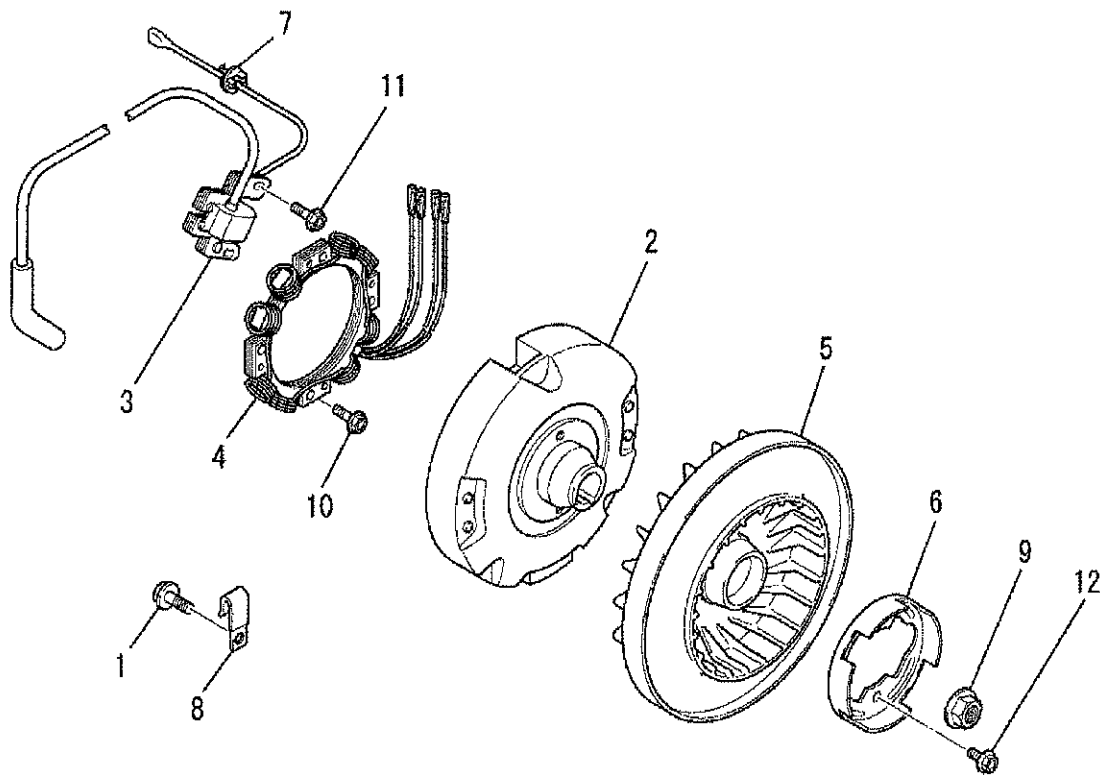
No.	R/N	Parts No.	Parts Name	No. Req'd	Inte	Remarks	Serial No. (From~To)
1		KD02064EA	CRANKSHAFT ASSY	1		INCL. NO. 2-4	
2		KD63021BA	GEAR, CRANKSHAFT	1			
3		KD63015BA	GEAR, BALANCER	1			
4		KD90012AA	KEY, WOODRUFF	1			
5		KD90016AA	KEY, WOODRUFF	1			
6		KV01210BA	CAMSHAFT ASSY	1		INCL. NO. 7, 8	
7		KV83009FA	PIN	1			
8		S500P03	SNAP RING	1			

(F) PISTON & ROD GROUP



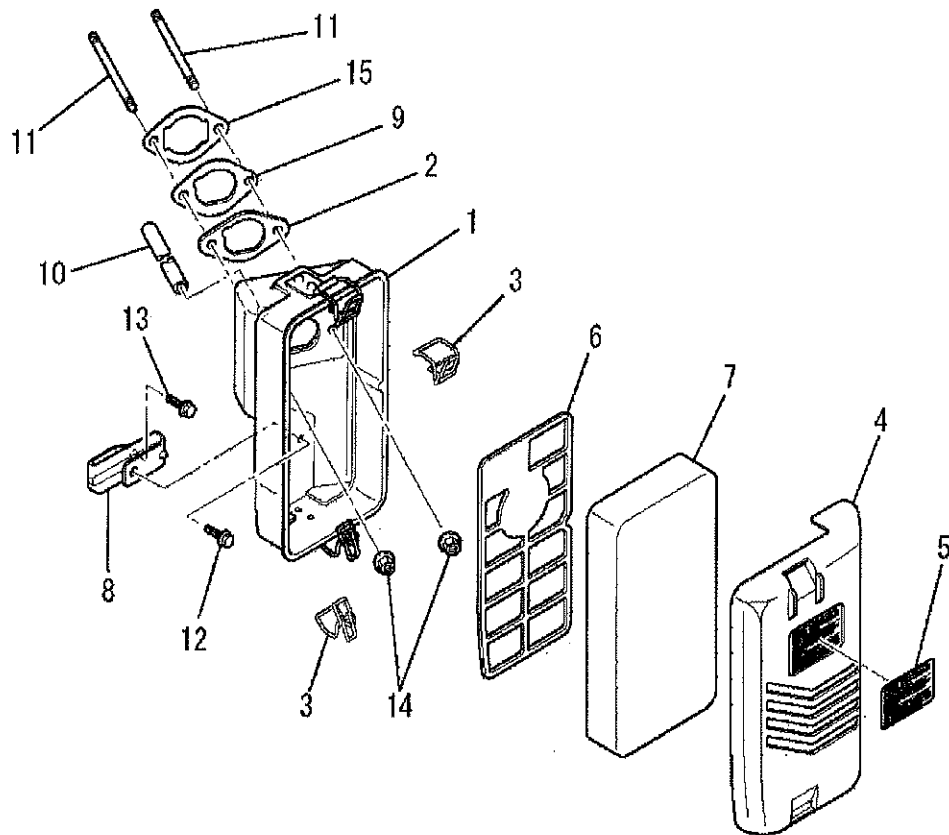
No.	R/N	Parts No.	Parts Name	No. Req'd	Inte	Remarks	Serial No. (From~To)
1		KP90001AA	CLIP, PISTON PIN	2			
2		KD03012AA	CONNECTING ROD ASSY	1		STD INCL. NO. 3	
2	1	KD03012BA	CONNECTING ROD ASSY	1		US 0.25 INCL. NO. 3	
2	2	KD03012CA	CONNECTING ROD ASSY	1		US 0.50 INCL. NO. 3	
3		KD70001AA	BOLT	2			
4		KP18004AA	PISTON	1		STD	
4	1	KP18004BA	PISTON	1		OS 0.25	
4	2	KP18004CA	PISTON	1		OS 0.50	
5		KP58002BA	PIN, PISTON	1			
6		KP02012AA	PISTON RING SET	1		STD	
6	1	KP02012BA	PISTON RING SET	1		OS 0.25	
6	2	KP02012CA	PISTON RING SET	1		OS 0.50	

(G) MAGNETO GROUP



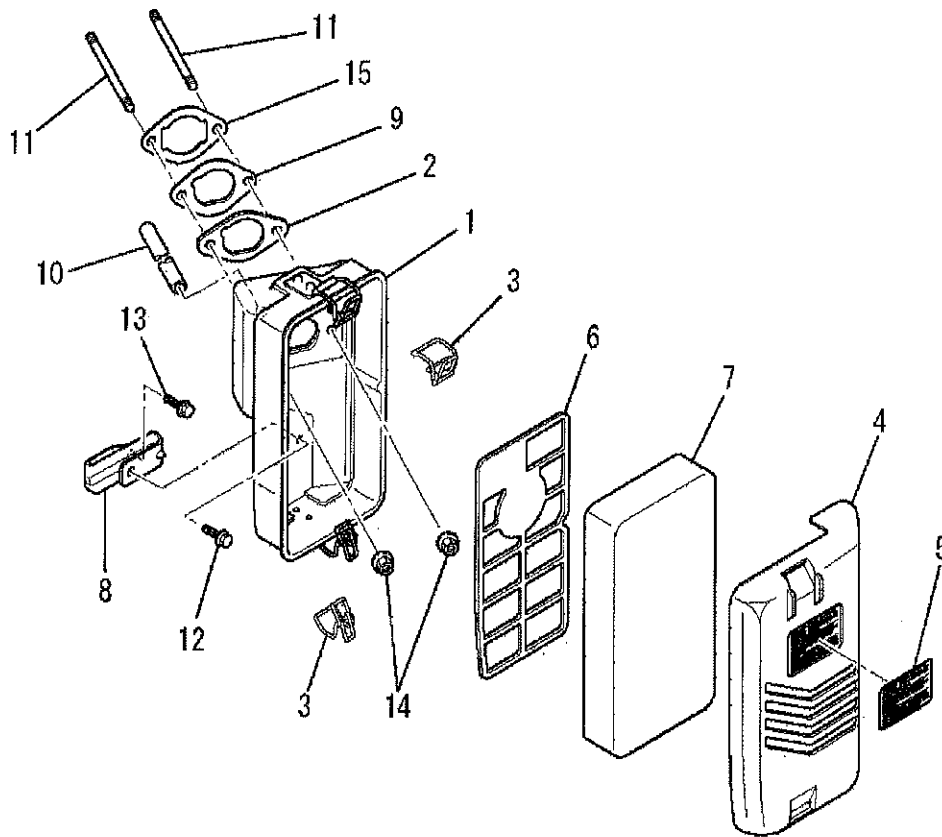
No.	R/N	Parts No.	Parts Name	No. Req'd	Inte	Remarks	Serial No. (From~To)
1		FR51895	CLAMP	1			
2		KE12022AA	FLYWHEEL	1			
3		KE25004AA	COIL, IGNITION	1			
4		KE25020AA	COIL, CHARGE	1			
5		KE90128AA	FAN	1			
6		KE90129AA	RETAINER	1			
7		KU70007AA	CLIP	1			
8		B805B06X012	BOLT, FLANGE	1			
9		FA29015	NUT, FLANGE	1			
10		KU12020AA	SCREW	4			
11		KU12046AA	BOLT, FLANGE	2			
12		KU14036AA	BOLT, FLANGE	2			

(H) AIR CLEANER GROUP



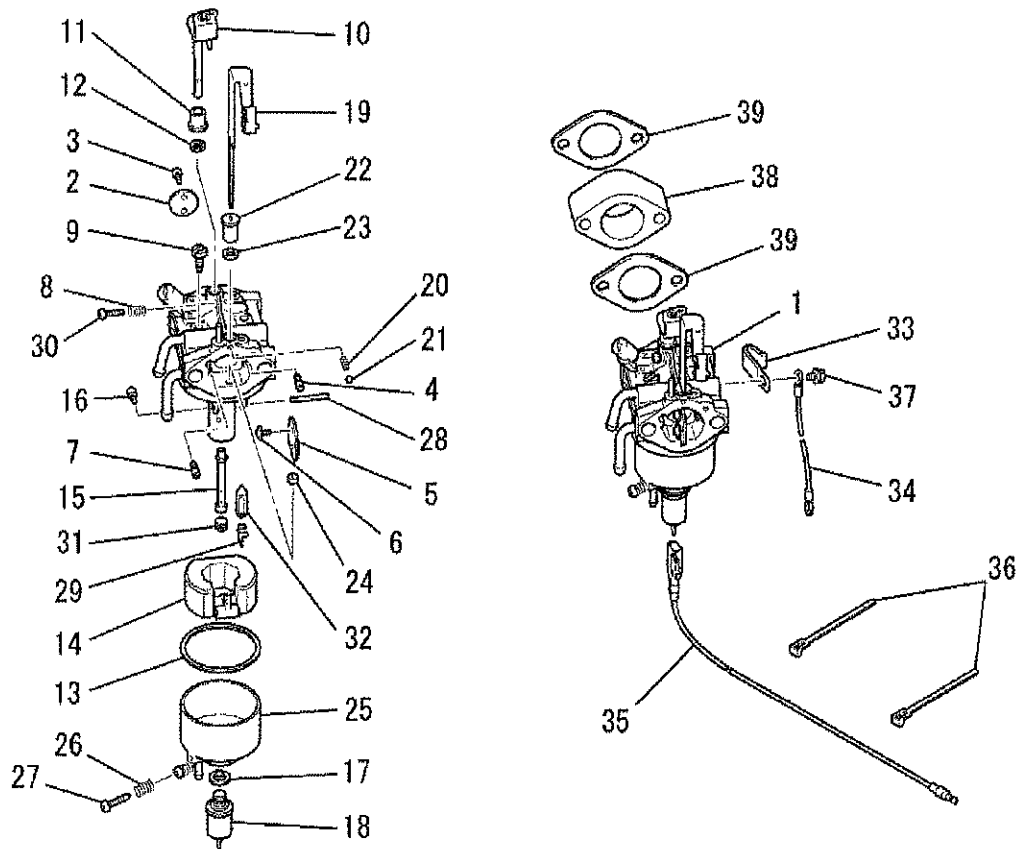
No.	R/N	Parts No.	Parts Name	No. Req'd	Inte	Remarks	Serial No. (From~To)
1		KA11019AA	CASE, CLEANER	1		INCL. NO. 2, 3	
2		KA11019AA003	GASKET	1			
3		KA90144AA	HOLDER	1			
4		KA20045AA	COVER, CLEANER	1		INCL. NO. 5	
5		FA24115	LABEL, INSTRUCTION	1			
6		KA30016AA	GRID	1			
7		KA40059AA	ELEMENT, CLEANER	1			
8		KA90115AA	BRACKET	1			
9		KA90121BA	SPACER	1			
10		ZZ70002S	TUBE, BREATHER	1			
11		B155B06X095	BOLT, STUD	2			
12		B800A06X008	BOLT, FLANGE	1			

(H) AIR CLEANER GROUP



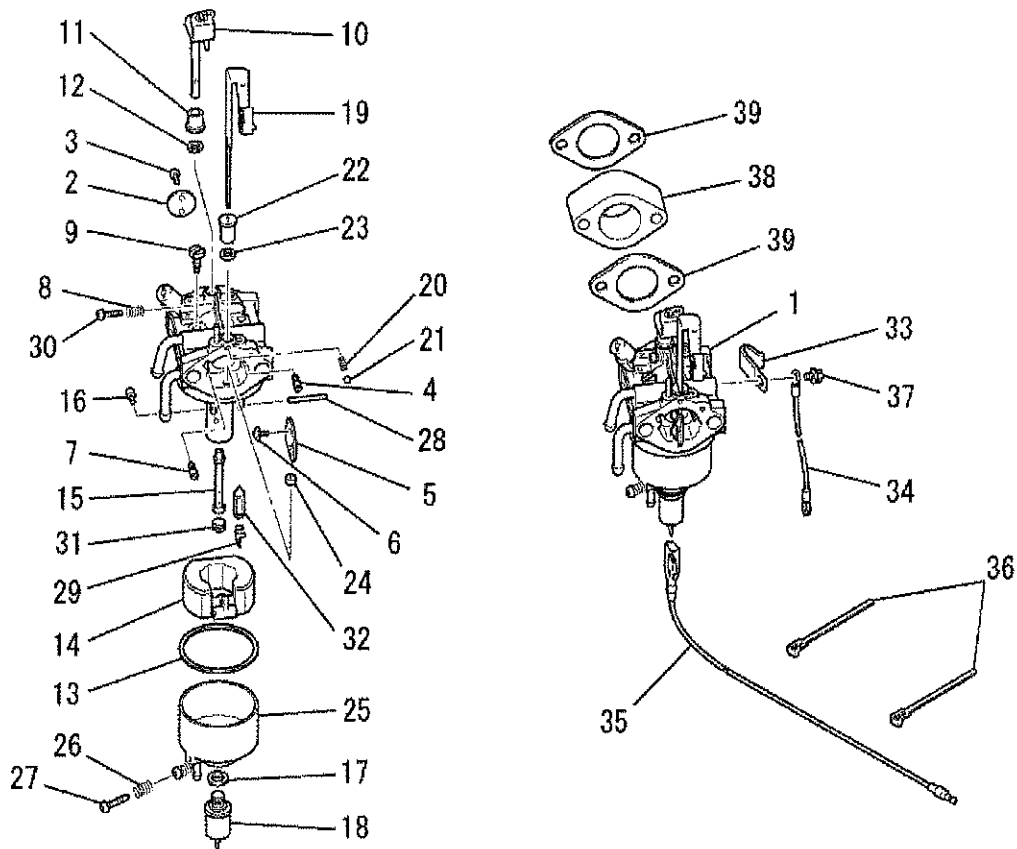
No.	R/N	Parts No.	Parts Name	No. Req'd	Inte	Remarks	Serial No. (From~To)
13		B805B06X016	BOLT, FLANGE	1			
14		N801A06	NUT, FLANGE	2			
15		KW34055AA	GASKET, CARBURETOR	1			

(I) CARBURETOR GROUP



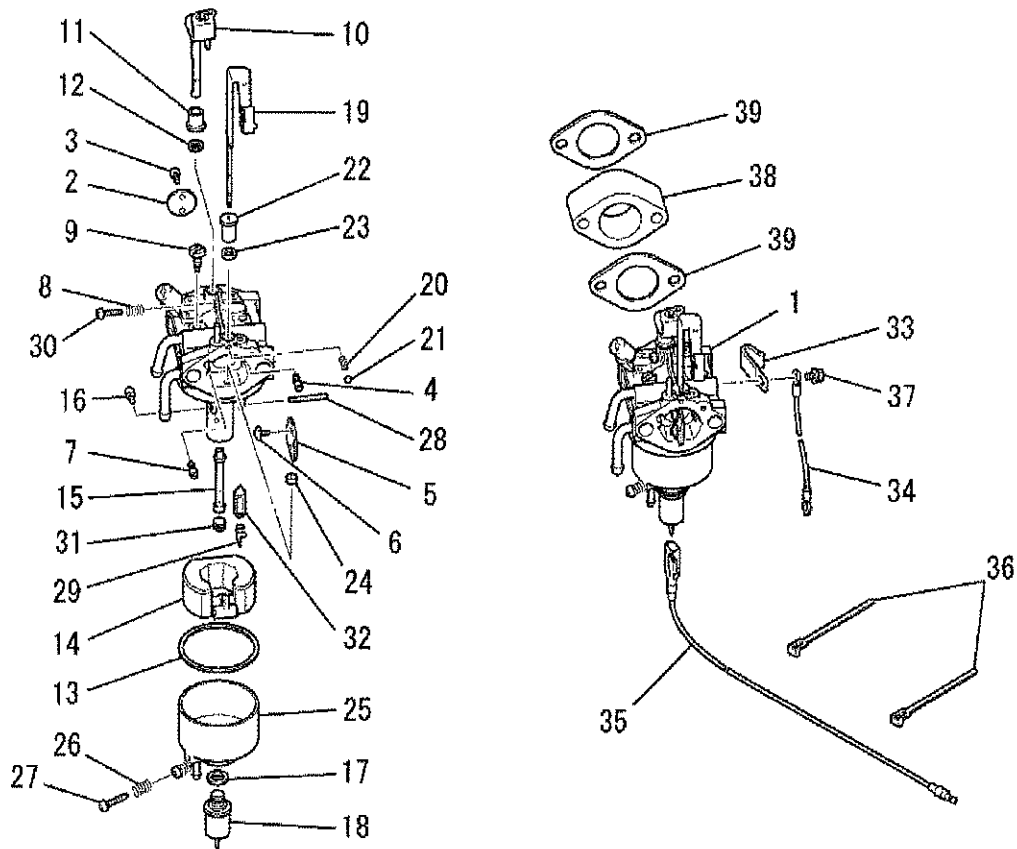
No.	R/N	Parts No.	Parts Name	No. Req'd	Inte	Remarks	Serial No. (From~To)
1		KK16009AC	CARBURETOR (F)	1		INCL. NO. 2-32	
2		KK16009AA002	VALVE, THROTTLE	1			
3		KK16009AA003	SCREW	2			
4		KK12020AA030	JET, AIR BLEED	1			
5		KK16009AA005	VALVE, CHOKE	1			
6		KK15016AA005	SCREW	2			
7		KK16012LB007	JET	1			
8		KK13003AA008	SPRING	1			
9		KK74508BA413	JET, PILOT	1			
10		KK16009AA011	SHAFT, THROTTLE	1			
11		KK16009AA012	RING	1			
12		KK12008AE016	SEAL	1			

(I) CARBURETOR GROUP



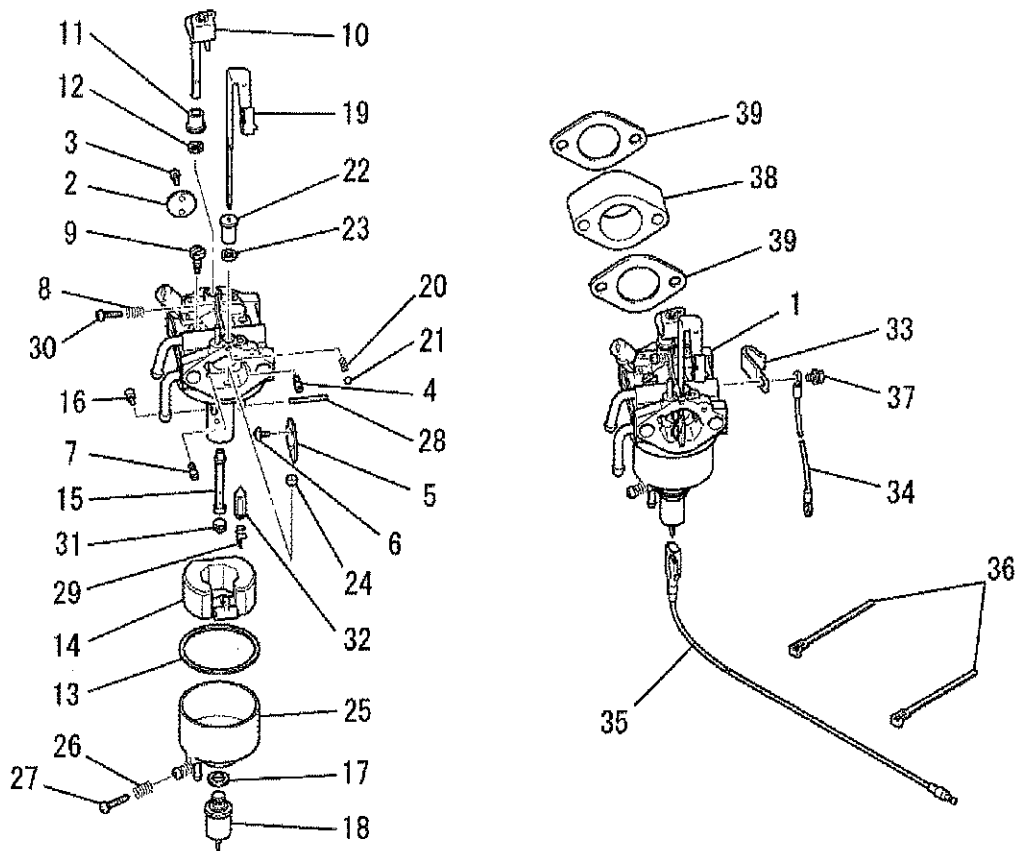
No.	R/N	Parts No.	Parts Name	No. Req'd	Inte	Remarks	Serial No. (From~To)
13		KK15003AE014	PACKING	1			
14		KK15003AE015	FLOAT	1			
15		KK16009AC016	NOZZLE, MAIN	1			
16		KK74525CA150	JET, MAIN	1			
17		KK12008CC026	PACKING	1			
18		KK16009AC019	SOLENOID	1			
19		KK16009AB020	LEVER, CHOKE	1			
20		KK16009AA021	SPRING	1			
21		KK16009AA022	BALL, STEEL	1			
22		KK13002AA017	RING	1			
23		KK13002AA028	FELTS	1			
24		KK15001AA014	RING	1			

(I) CARBURETOR GROUP



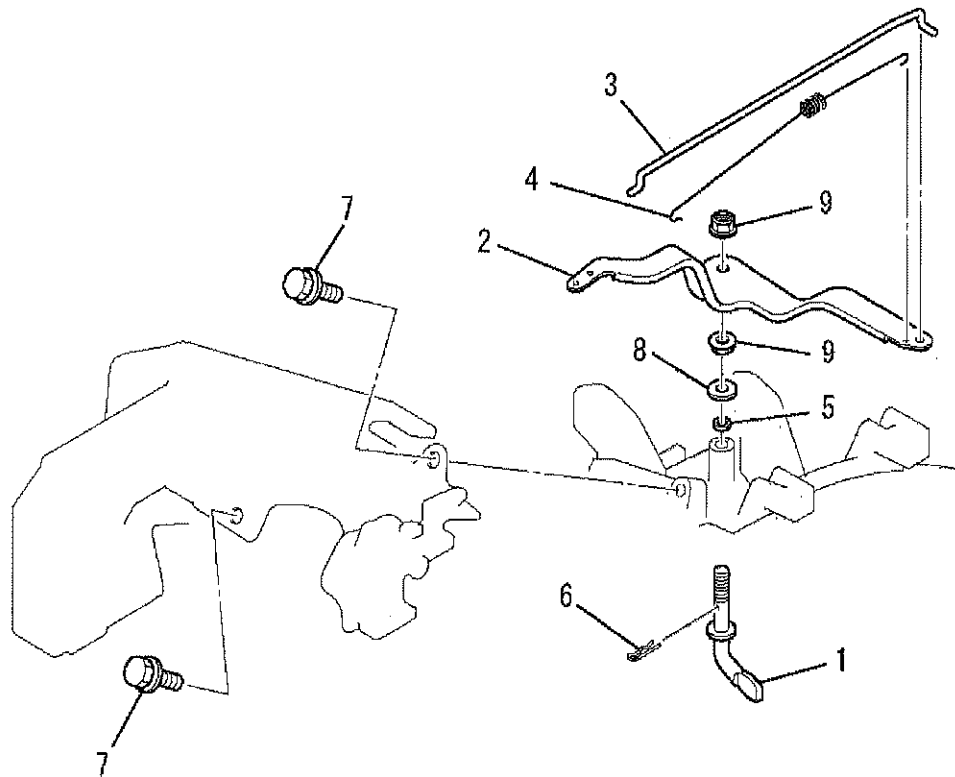
No.	R/N	Parts No.	Parts Name	No. Req'd	Inte	Remarks	Serial No. (From~To)
25		KK15005DA025	CHAMBER, FLOAT	1		INCL. NO. 26, 27	
26		KK13003AA008	SPRING	1			
27		KK15001AA018	SCREW	1			
28		KK15001AA016	PIN	1			
29		KK12008AE011	CLIP	1			
30		KK16009AA030	SCREW	1			
31		KK16009AC035	SCREW	1			
32		KK15001AA015	NEEDLE, MAIN	1			
33		FA28116	CLAMP	1			
34		KE90096AA	WIRE, LEAD	1			
35		KE90228BA	WIRE, LEAD	1			
36		KU90006BA	BAND	2			

(I) CARBURETOR GROUP



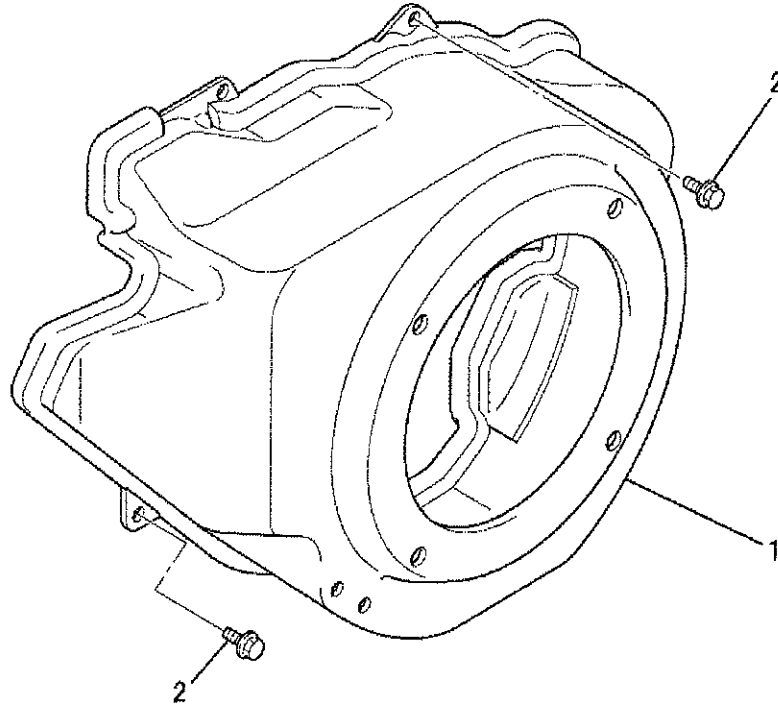
No.	R/N	Parts No.	Parts Name	No. Req'd	Inte	Remarks	Serial No. (From~To)
37		B800A06X008	BOLT, FLANGE	1			
38		KK34001BA	INSULATOR	1			
39		KW34052AA	GASKET, CARBURETOR	2			

(J) CONTROL PANEL GROUP



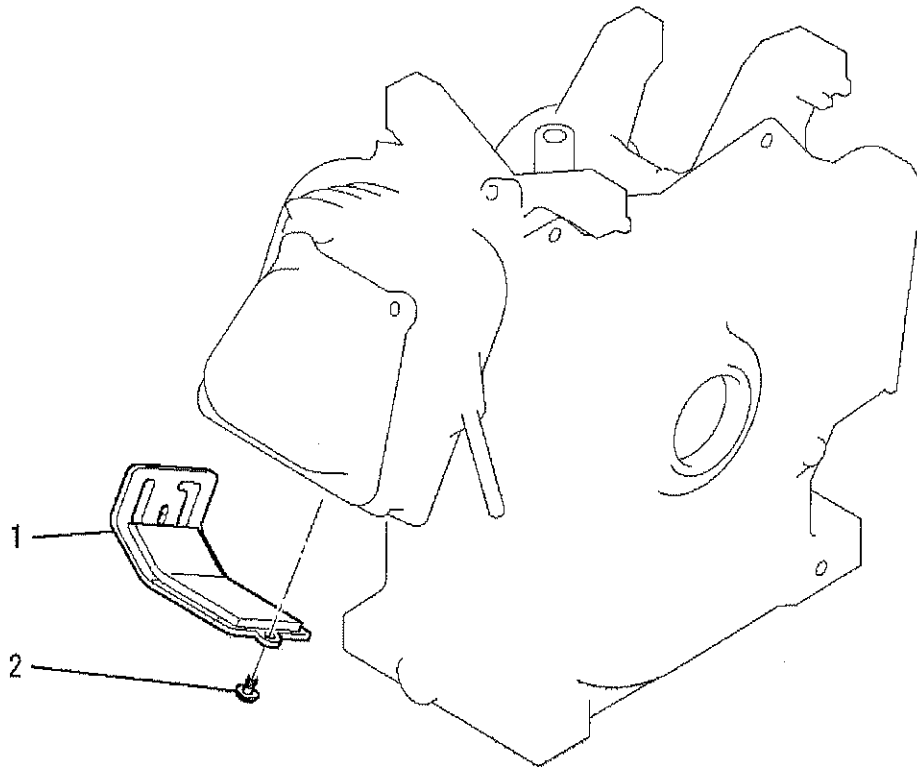
No.	R/N	Parts No.	Parts Name	No. Req'd	Inte	Remarks	Serial No. (From~To)
1		KG22009AA	SHAFT, GOV	1			
2		KG31017AA	LEVER, GOV	1			
3		KG41017AA	ROD, GOV	1			
4		KG42013AA	SPRING, ROD	1			
5		KG90016AA	SEAL, DUST	1			
6		KU70006AA	CLIP	1			
7		B805B06X012	BOLT, FLANGE	2			
8		KG90015AA	WASHER	1			
9		KU24002AA	NUT	2			

(K) FAN COVER GROUP



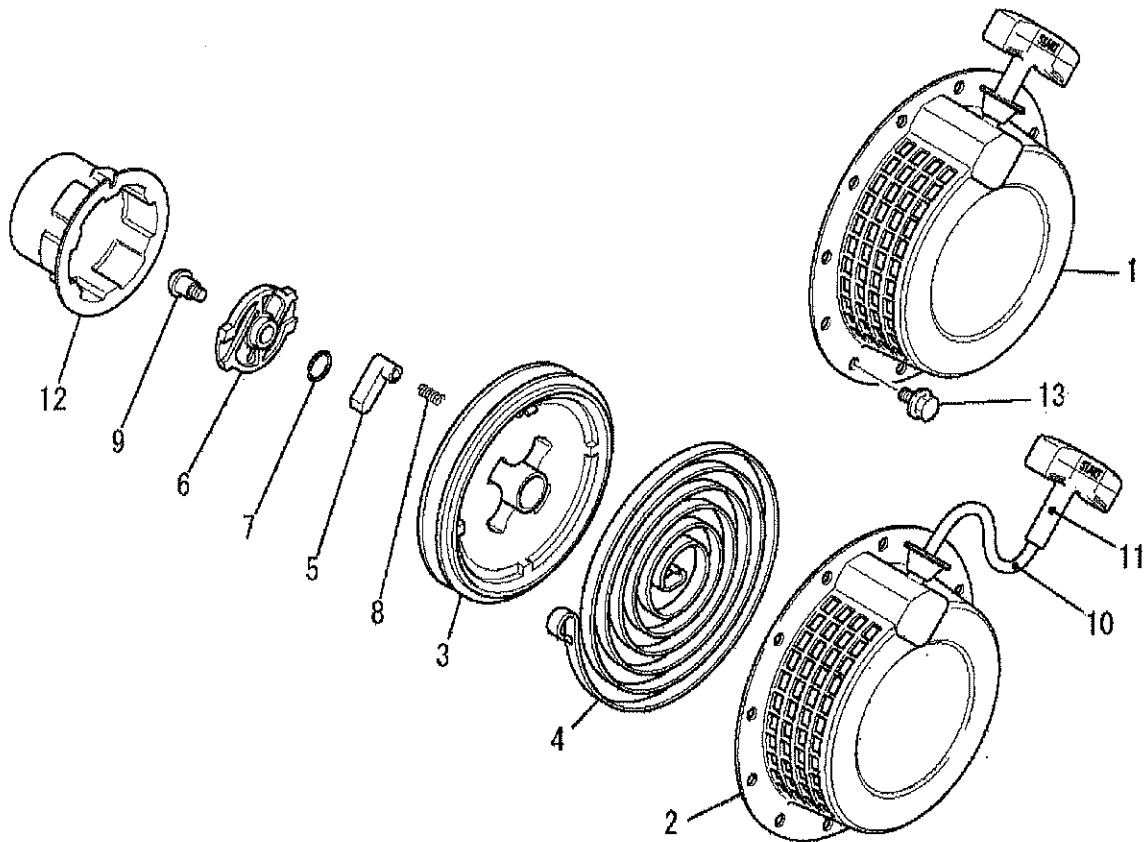
No.	R/N	Parts No.	Parts Name	No. Req'd	Inte	Remarks	Serial No. (From~To)
1		KH28010AH	COVER, FAN	1			
2		B805B06X012	BOLT, FLANGE	4			

(L) CYLINDER COVER GROUP



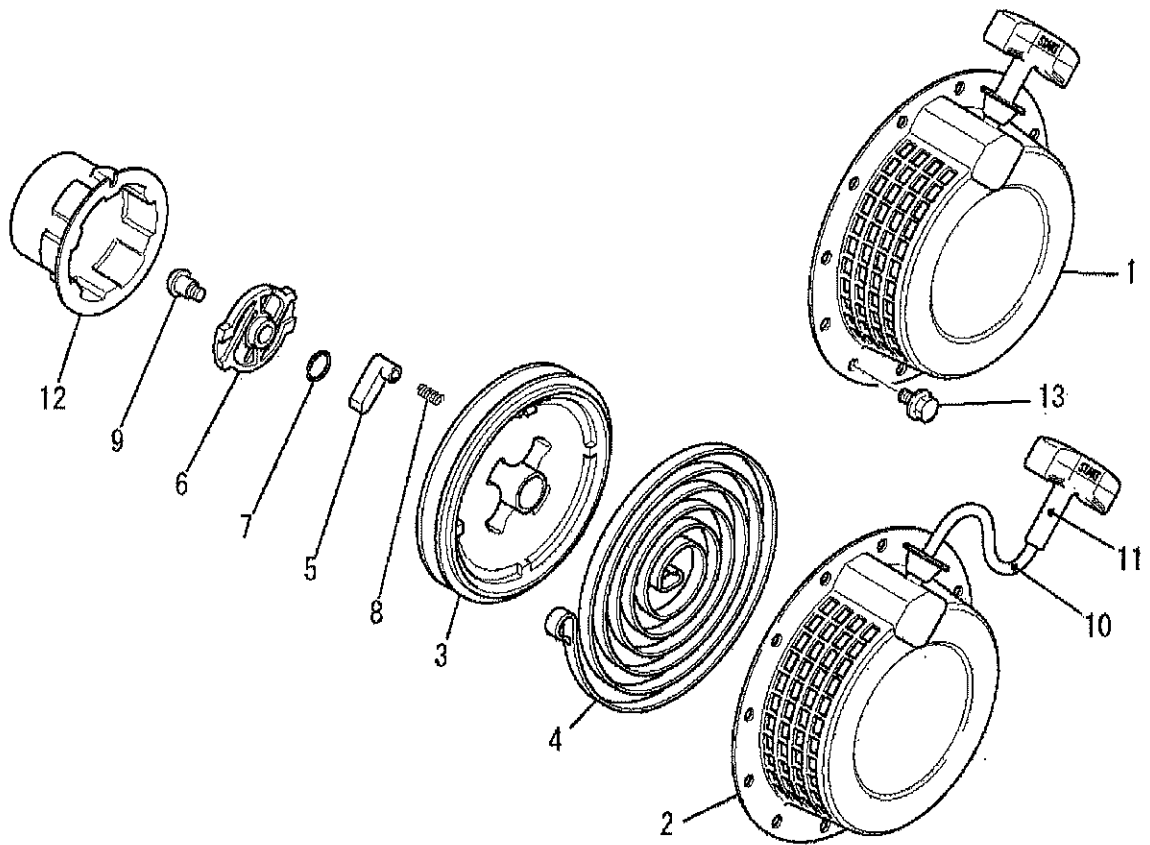
No.	R/N	Parts No.	Parts Name	No. Req'd	Inte	Remarks	Serial No. (From~To)
1		KH40089AA	COVER, CYLINDER	1			
2		B805B06X012	BOLT, FLANGE	2			

(R) RECOIL STARTER GROUP



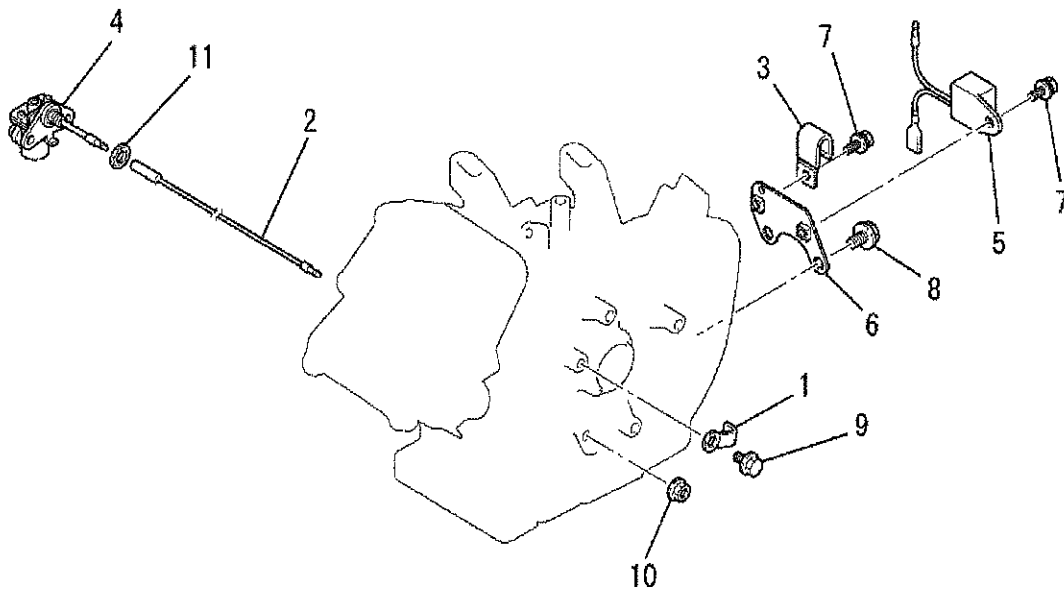
No.	R/N	Parts No.	Parts Name	No. Req'd	Inte	Remarks	Serial No. (From~To)
1		KS02056AD	RECOIL STARTER ASSY	1		INCL. NO. 2-12	
2		KS20061AD001	CASE, STARTER	1			
3		KS20060AD002	REEL	1			
4		KS20060AD003	SPRING, SPIRAL	1			
5		KS20060AD004	RATCHET	2			
6		KS20061AD005	GUIDE	1			
7		KS20060AD006	SPRING, FRICTION	1			
8		KS20020AD007	SPRING, RETURN	2			
9		KS20020AD008	SCREW	1			
10		KS20035AD013	ROPE, STARTER	1			
11		KS20060AD014	KNOB, STARTER	1			
12		KS30037AA	PULLEY, STARTER	1			

(R) RECOIL STARTER GROUP



No.	R/N	Parts No.	Parts Name	No. Req'd	Inte	Remarks	Serial No. (From~To)
13		B800A06X008	BOLT, FLANGE	4			

(W) OIL SENSOR GROUP



No.	R/N	Parts No.	Parts Name	No. Req'd	Inte	Remarks	Serial No. (From~To)
1		FA41303	CLAMP	1			
2		FR63858E	WIRE, LEAD	1			
3		FR64917	CLAMP	1			
4		KE09021AA	SENSOR, OIL	1			
5		KE34001BA	UNIT	1			
6		KE90168AA	BRACKET, UNIT	1			
7		B070A05X010	BOLT&WASHER	2			
8		B800A08X016	BOLT, FLANGE	2			
9		B805B06X012	BOLT, FLANGE	1			
10		ZZ70028C	NUT, CONICAL SPG	1			
11		KW39066AA	GASKET	1			

LIEFERSCHEIN + REPARATUR KARTE

Debitornummer:15551
LINDNER INDUSTRIEWERKZEUGE

ZUM KÜHLHAUS 206
18069 Rostock

Lieferadresse
LINDNER INDUSTRIEWERKZEUGE
ZUM KÜHLHAUS 206
18069 Rostock

Seite: 1 / 1
Datum: 18-3-2010
Reparaturnummer : 79524
Auftragsnummer ..: SRA0922838
Lieferschein:
Mitarbeiternr.: 010
Telefon: 02154 / 4993-0
Fax: 02154 / 4993-60
Kommissionsnummer:
Maschinentyp: WR18DL
Seriennummer: 191515
Verkaufsdatum: 18-3-2010

Zubehör:Basic					
Reparieren bis max: 0,00 EUR oder 0,00 %			Reparatur Art: Kulanz		
Fehler Beschreibung ...: für # 890479 verk.am 04.11.09					
Beim Überschreiten					
Teilreparatur	Neugerät	Repariert zurück	Unrepariert zurück	Verschrotten	
Nein	Ja	Nein	Nein	Nein	
Erfassen Rep. # 79523					
Fehler:	Artikel	Beschreibung	Menge	Stunden	Betrag
Arbeitszeit	Sonstiges				
	010			0,17	0,00
Subtotal Material					0,00
Subtotal Stunden					0,00
Summe					0,00
Erfassen von Austauschmaschinen					

Letzte Reparatur:
Letzte Reparaturnummer ..:

Prüfkategorie
Geprüft und Getestet nach VDE 0701 Teil 260 P.4

Verkaufssaldo	Rechnungsrabatt	Sonst. Zuschläge	Mehrwertsteuer	Rundung	Summe
0,00	0,00	0,00	0,00	0,00	0,00
Geschäftsführer:			Hitachi Power Tools Europe GmbH		Banken: Deutsche Bank, Düsseldorf
Shunichi Fujikawa, Mitsuo Takahagi, Akihiko Nozaki			Siemensring 34 - 47877 Willich - Germany		(BLZ 300 700 10) Konto Nr. 8231 300
Sitz der Gesellschaft: 47877 Willich			Telefon 021 54/49 93-0 - Telefax 021 54/49 93 50		Bank of Tokyo-Mitsubishi Ufj, Düsseldorf
Handelsregister: HRB 2604 - Amtsgericht Krefeld			USt.-IdNr. DE119106694 - Umsatzsteuer-Nr. 102/5820/0280		(BLZ 300 107 00) Konto Nr. 0511 018 465
			WEEE-Reg.-Nr. DE98229319		IBAN: DE70300107000000018465
					BIC Code: BOTKDE33

Es bestehen Vereinbarungen , aus denen sich nachträgliche Minderungen des Entgelts ergeben können.

LIEFERSCHEIN + REPARATUR KARTE

Debitornummer:15551
LINDNER INDUSTRIEWERKZEUGE

ZUM KÜHLHAUS 206

18069 Rostock

Lieferadresse

LINDNER INDUSTRIEWERKZEUGE
ZUM KÜHLHAUS 206

18069 Rostock

Seite: 1 / 1
Datum: 18-3-2010
Reparaturnummer : 79524
Auftragsnummer ...: SRA0922838
Lieferschein:
Mitarbeiternr.: 010
Telefon: 02154 / 4993-0
Fax: 02154 / 4993-60
Kommisionsnummer:
Maschinentyp: WR18DL
Seriennummer: 191515
Verkaufsdatum: 18-3-2010

Zubehör:Basic					
Reparieren bis max: 0,00 EUR oder 0,00 %			Reparatur Art: Kulanz		
Fehler Beschreibung ...: für # 890479 verk.am 04.11.09					
Beim Überschreiten					
Teilreparatur	Neugerät	Repariert zurück	Unrepariert zurück	Verschrotten	
Nein	Ja	Nein	Nein	Nein	
Erfassen Rep. # 79523					
Fehler:	Artikel	Beschreibung	Menge	Stunden	Betrag
Arbeitszeit	Sonstiges				
	010			0,17	0,00
Subtotal Material					0,00
Subtotal Stunden					0,00
Summe					0,00
Erfassen von Austauschmaschinen					

Letzte Reparatur:
Letzte Reparaturnummer ..:

Prüfkategorie

Geprüft und Getestet nach VDE 0701 Teil 260 P.4

Verkaufssaldo	Rechnungsrabatt	Sonst. Zuschläge	Mehrwertsteuer	Rundung	Summe
0,00	0,00	0,00	0,00	0,00	0,00

Geschäftsführer:
Shunichi Fujikawa, Mitsuo Takahagi, Akihiko Nozaki
Sitz der Gesellschaft: 47877 Willich
Handelsregister: HRB 2604 - Amtsgericht Krefeld

Hitachi Power Tools Europe GmbH
Siemensring 34 - 47877 Willich - Germany
Telefon 021 54/49 93-0 - Telefax 021 54/49 93 50
USt.-IdNr. DE119106694 - Umsatzsteuer-Nr. 102/5820/0280
WEEE-Reg.-Nr. DE98229319

Banken: Deutsche Bank, Düsseldorf
(BLZ 300 700 10) Konto Nr. 8231 300
Bank of Tokyo-Mitsubishi Ufj, Düsseldorf
(BLZ 300 107 00) Konto Nr. 0511 018 465
IBAN: DE70300107000000018465
BIC Code: BOTKDE33

Es bestehen Vereinbarungen , aus denen sich nachträgliche Minderungen des Entgelts ergeben können.

LIEFERSCHEIN + REPARATUR KARTE

Debitornummer:15551
LINDNER INDUSTRIEWERKZEUGE

ZUM KÜHLHAUS 206
18069 Rostock

Lieferadresse
LINDNER INDUSTRIEWERKZEUGE
ZUM KÜHLHAUS 206

18069 Rostock

Seite: 1 / 1
Datum: 18-3-2010
Reparaturnummer : 79524
Auftragsnummer ...: SRA0922838
Lieferschein:
Mitarbeiternr.: 010
Telefon: 02154 / 4993-0
Fax: 02154 / 4993-60
Kommissionsnummer:
Maschinentyp: WR18DL
Seriennummer: 191515
Verkaufsdatum: 18-3-2010

Zubehör:Basic					
Reparieren bis max: 0,00 EUR oder 0,00 %			Reparatur Art: Kulanz		
Fehler Beschreibung ...: für # 890479 verk.am 04.11.09					
Beim Überschreiten					
Teilreparatur	Neugerät	Repariert zurück	Unrepariert zurück	Verschrotten	
Nein	Ja	Nein	Nein	Nein	
Erfassen Rep. # 79523					
Fehler:	Artikel	Beschreibung	Menge	Stunden	Betrag
Arbeitszeit	Sonstiges				
	010			0,17	0,00
Subtotal Material					0,00
Subtotal Stunden					0,00
Summe					0,00
Erfassen von Austauschmaschinen					

Letzte Reparatur:
Letzte Reparaturnummer ..:

Prüfkategorie

Geprüft und Getestet nach VDE 0701 Teil 260 P.4

Verkaufssaldo	Rechnungsrabatt	Sonst. Zuschläge	Mehrwertsteuer	Rundung	Summe
0,00	0,00	0,00	0,00	0,00	0,00

Geschäftsführer:
Shunichi Fujikawa, Mitsuo Takahagi, Akihiko Nozaki
Sitz der Gesellschaft: 47877 Willich
Handelsregister: HRB 2604 - Amtsgericht Krefeld

Hitachi Power Tools Europe GmbH
Siemensring 34 - 47877 Willich - Germany
Telefon 021 54/49 93-0 - Telefax 021 54/49 93 50
USt.-IdNr. DE119108694 - Umsatzsteuer-Nr. 102/5820/0280
WEEE-Reg.-Nr. DE98229319

Banken: Deutsche Bank, Düsseldorf
(BLZ 300 700 10) Konto Nr. 8231 300
Bank of Tokyo-Mitsubishi Ufj, Düsseldorf
(BLZ 300 107 00) Konto Nr. 0511 018 465
IBAN: DE70300107000000018465
BIC Code: BOTKDE33

Es bestehen Vereinbarungen , aus denen sich nachträgliche Minderungen des Entgelts ergeben können.