
PARTS CATALOG

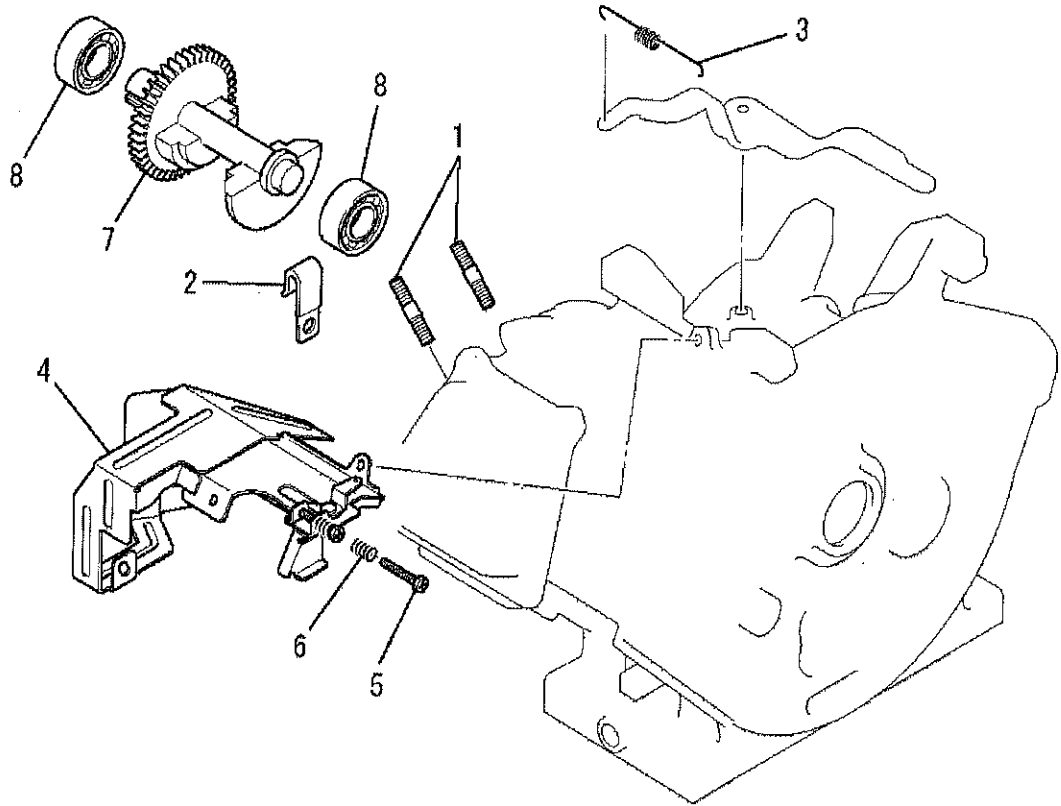
MITSUBISHI GENERATOR

MODEL E 3 5 MB (MGK3500-J52)

SEP., 2007

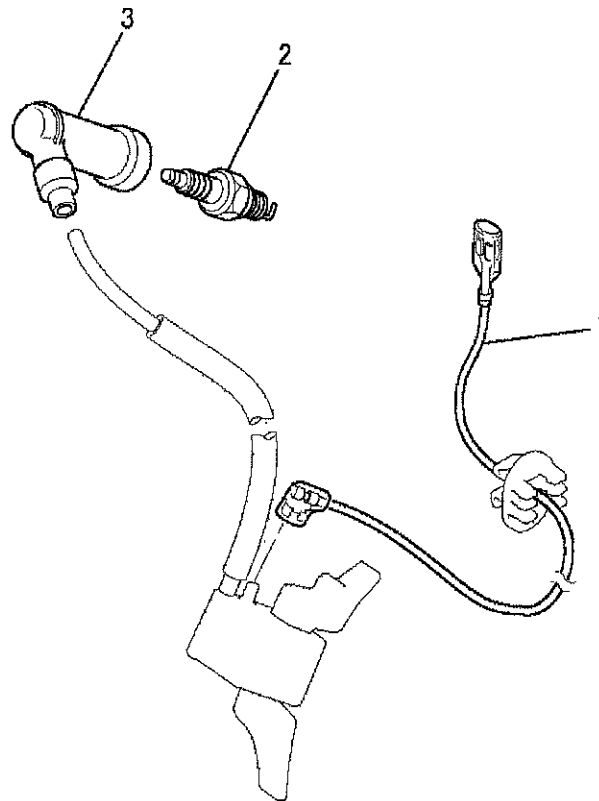
MITSUBISHI HEAVY INDUSTRIES, LTD.

1. BOLT, SPRING, COVER



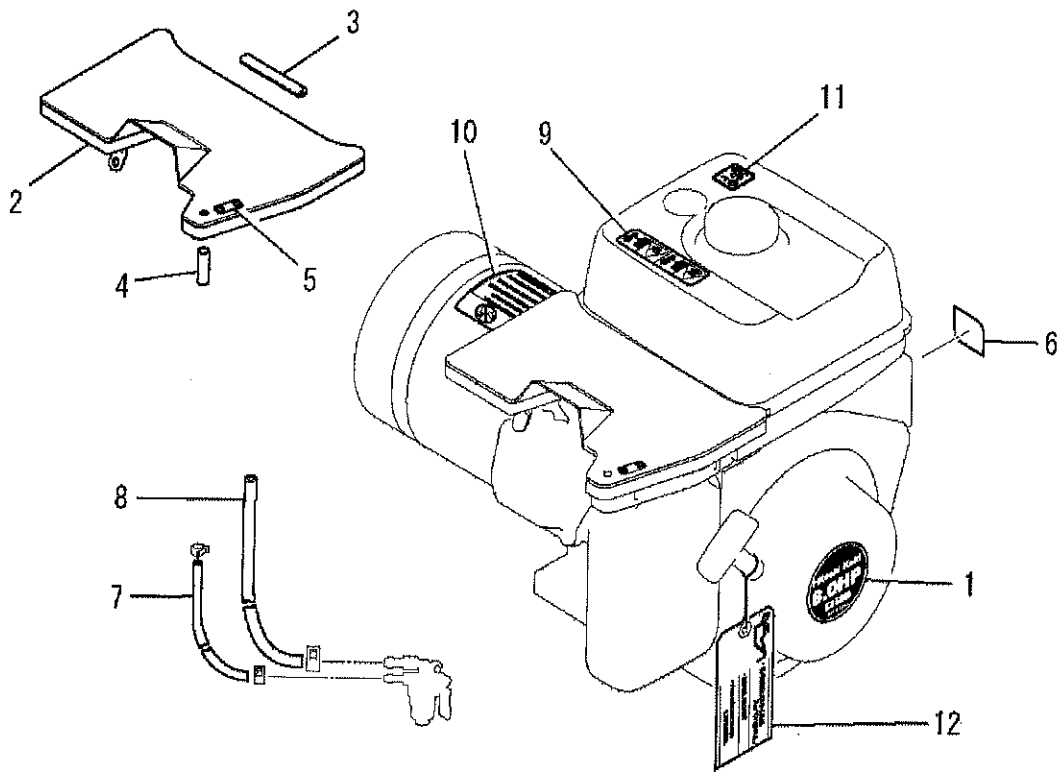
No.	R/N	Parts No.	Parts Name	No. Req'd	Inte	Remarks	Serial No. (From~To)
1		B155B08X020	BOLT, STUD	2			
2		FR56780	CLAMP	1			
3		KG34017EA	SPRING, GOV	1			
4		KH04023AA	TOP COVER ASSY	1		INCL. NO. 5, 6	
5		KU14032AA	BOLT	1			
6		KU80017AA	SPRING	1			
7		KD51002BA	SHAFT, BALANCER	1			
8		S111X62X030	BEARING, BALL	2		#6203	

2. LEAD WIRE, PLUG, CAP



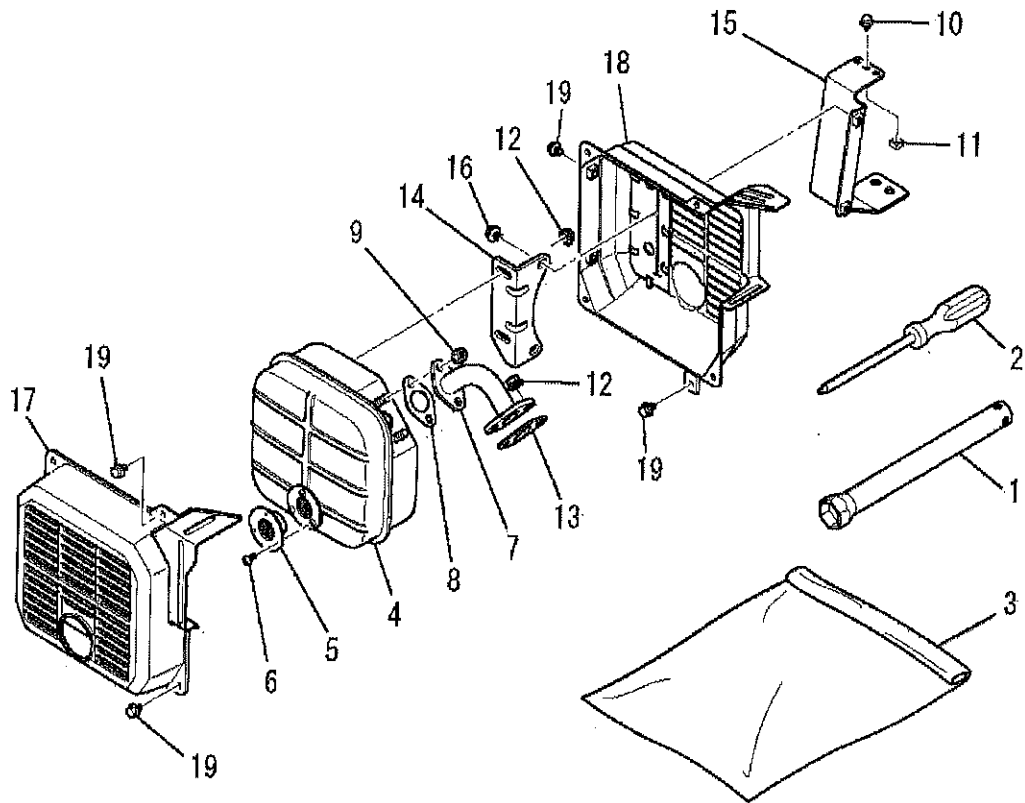
No.	R/N	Parts No.	Parts Name	No. Req'd	Inte	Remarks	Serial No. (From~To)
1		KE90069AA	WIRE, LEAD	1			
2		KE41005AA	PLUG, SPARK	1		BPR5ES	
3		KE42030AA	CAP, PLUG	1			

3. LABEL, FUEL HOSE



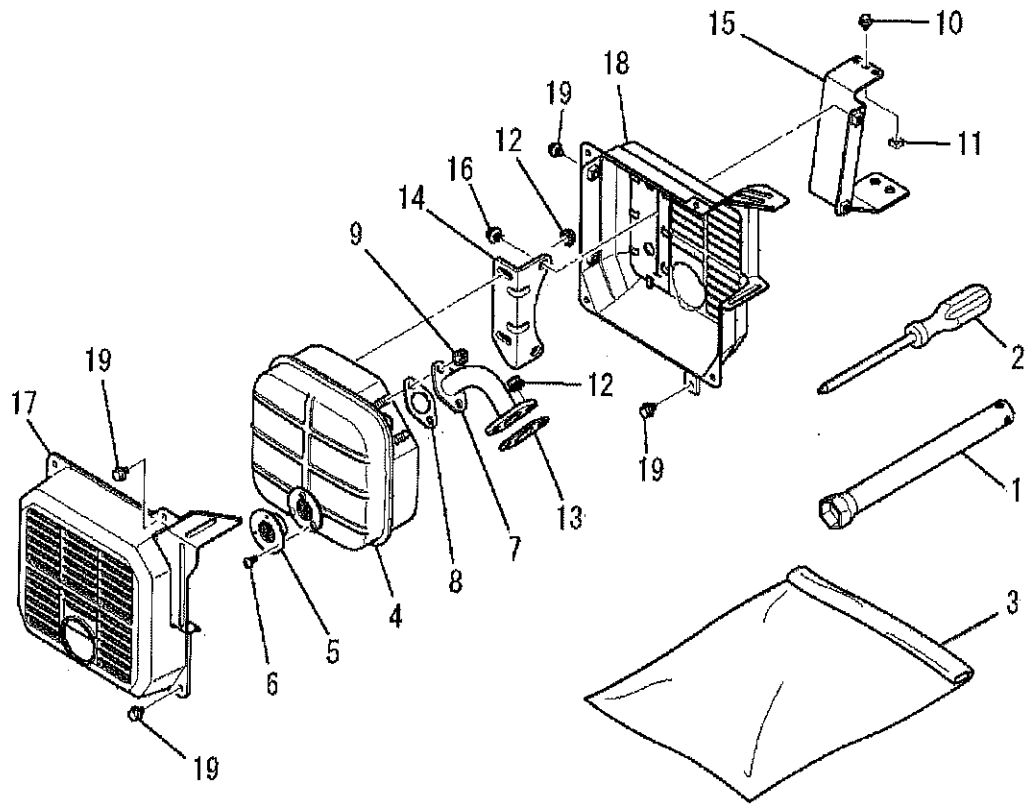
No.	R/N	Parts No.	Parts Name	No. Req'd	Inte	Remarks	Serial No. (From~To)
1		KW52271AC	LABEL, NAME	1			
2		KH04024AA	COVER ASSY	1			
3		KH90075CA	RUBBER CUSHION	1			
4		KH90088AA	SPACER	1			
5		KW56060AA	LABEL, CHOKE	1			
6		KW56282EA	LABEL	1			
7		P051Y04X220	HOSE, FUEL	1			
8		P051Y08X470	HOSE, FUEL	1			
9		KW55047AA	LABEL	1			
10		KW55048DA	LABEL, CAUTION	1			
11		KW55055CA	LABEL	1			
12		KW56048AA	LABEL, CAUTION	1			

4. TOOL SET



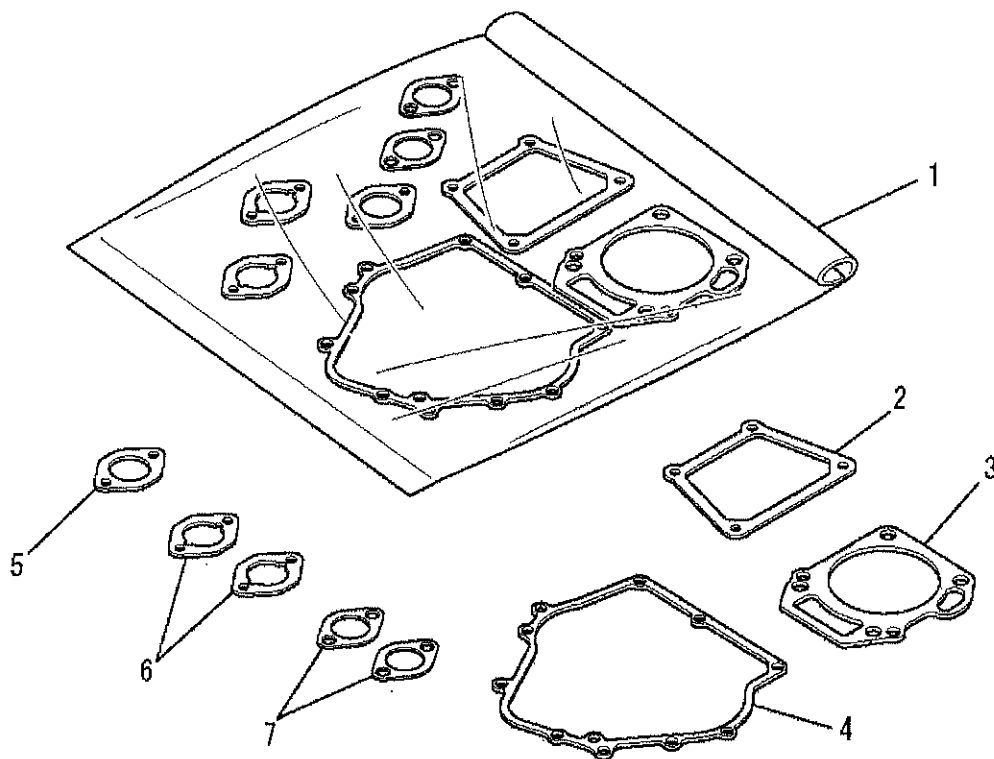
No.	R/N	Parts No.	Parts Name	No. Req'd	Inte	Remarks	Serial No. (From~To)
1		KN12004EA	SPANNER, BOX	1			
2		KN13001AA	DRIVER, SCREW	1			
3		FA21533D	BAG, TOOL	1			
4		KM17024AA	MUFFLER	1		INCL. NO. 5, 6	
5		KM17024AA015	SCREEN	1			
6		W006D04X008K	SCREW	3			
7		KM30006AA	PIPE, EXHAUST	1			
8		KM70032AB	GASKET, MUFFLER	1			
9		ZZ70028C	NUT, CONICAL SPG	2			
10		B070B05X016	BOLT&WASHER	2			
11		KU22004AA	NUT	2			
12		ZZ70028C	NUT, CONICAL SPG	4			

4. TOOL SET



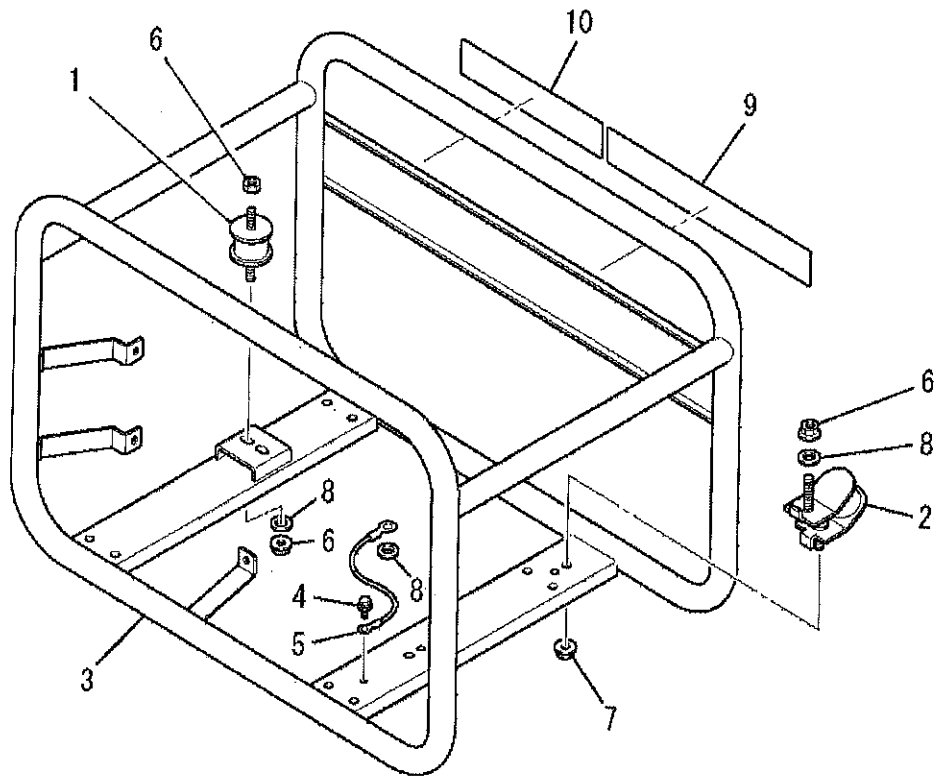
No.	R/N	Parts No.	Parts Name	No. Req'd	Inte	Remarks	Serial No. (From~To)
13		KM70032AB	GASKET, MUFFLER	1			
14		KM60014AA	BRACKET, MUFFLER	1			
15		KM60021AA	BRACKET, MUFFLER	1			
16		B800A08X016	BOLT, FLANGE	2			
17		KM27043AB	COVER, MUFFLER	1			
18		KM27044AB	COVER, MUFFLER	1			
19		B800A06X010K	BOLT, FLANGE	7			

5. GASKET SET



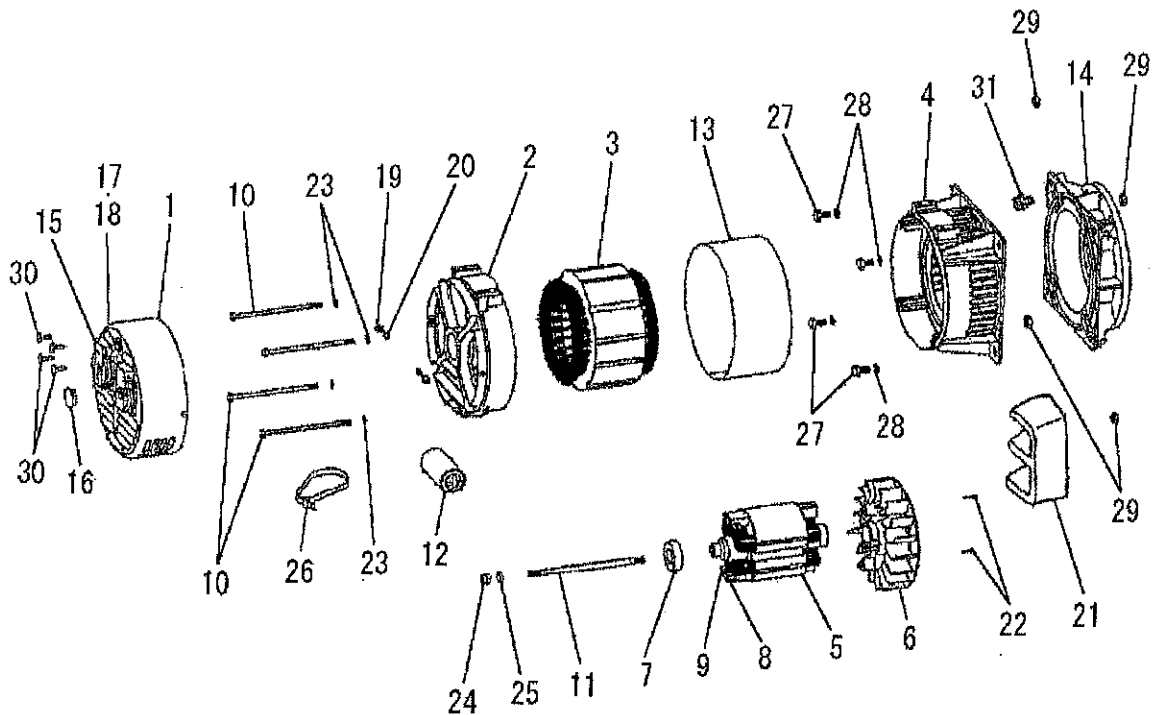
No.	R/N	Parts No.	Parts Name	No. Req'd	Inte	Remarks	Serial No. (From~To)
1		KW39058DA	GASKET SET	1		INCL. NO. 2-7	
2		KW33002AA	GASKET, HEAD COVER	1			
3		KC66009AA	GASKET, HEAD	1			
4		KW31007AA	GASKET, CRANKCASE	1			
5		KW34001AA	GASKET, CARBURETOR	1			
6		KW34005AA	GASKET, CARBURETOR	2			
7		KM70032AB	GASKET, MUFFLER	2			

6. FRAME & TANK



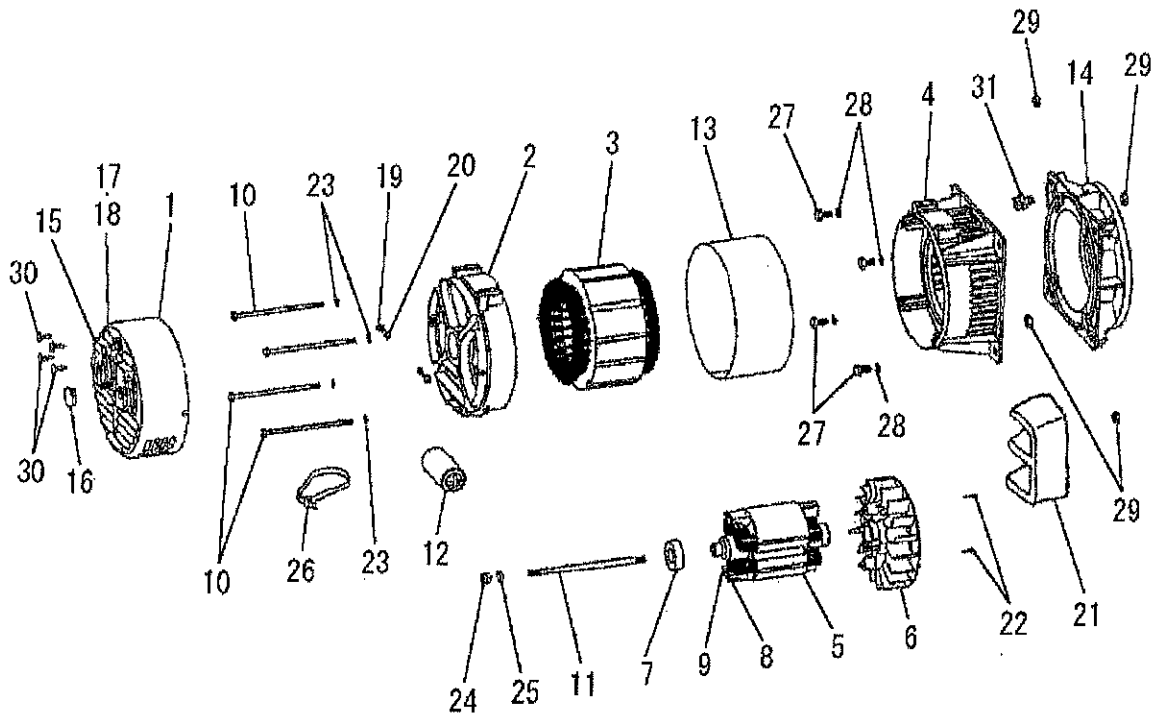
No.	R/N	Parts No.	Parts Name	No. Req'd	Inte	Remarks	Serial No. (From~To)
1		KY14004AA	RUBBER CUSHION	1			
2		KYG060000871	MG RUBBER MOUNT UN	2			
3		KY90081BA	MG FRAME	1		INCL. NO. 4	
4		B070A05X012	BOLT&WASHER	1			
5		KE90188BA	WIRE, LEAD	1			
6		N001A10	NUT	4			
7		N801A08	NUT, FLANGE	2			
8		W200H10	WASHER	4			
9		KW56139DD	LABEL, NAME	1			
10		KW56140CF	LABEL	1			

7. GRNERATOR



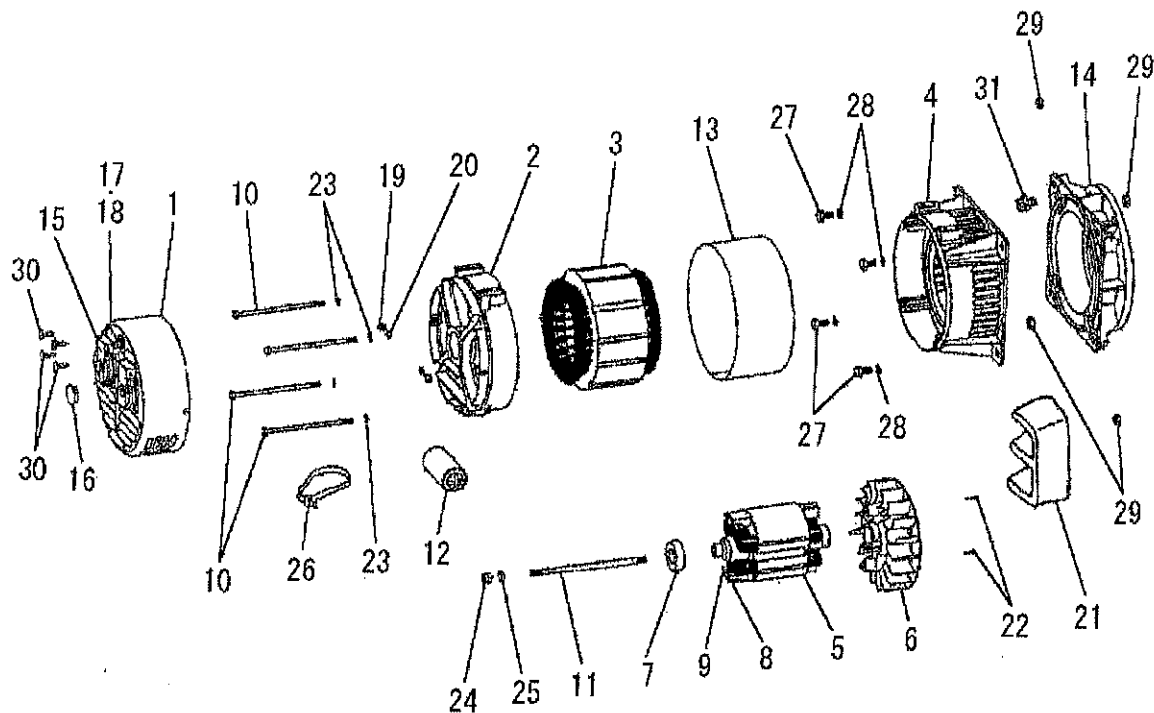
No.	R/N	Parts No.	Parts Name	No. Req'd	Inte	Remarks	Serial No. (From~To)
1		KY0390302092	MG TERMINAL BOX LID	1			
2		KY0390302209	MG N. D. EDD BRACKET	1			
3		KY0391703923	MG WOUND STATOR	1			
4		KY0391700136	MG DRIVE EED BRACKET	1			
5		KY0391602551	MG ROTOR ASSY 3.5KVA	1			
6		KY0392000020	MG FAN	1			
7		KY0390302521	MG REAR BEARING 6023	1			
8		KY0390400012	MG DIODES D2/125 25A	2			
9		KY0392000256	MG VALISTOR V350 K10	2			
10		KY0391800322	MG SECURING STUD	4			
11		KY0391800271	MG SECURING STUD	1			
12		KY0390302361	MG CAPACITOR	1			

7. GRNERATOR



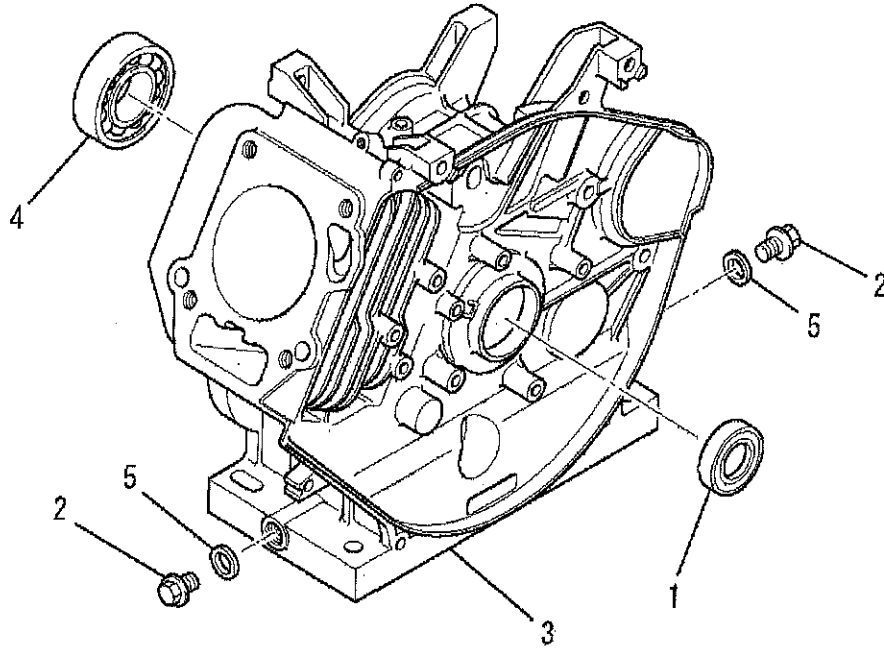
No.	R/N	Parts No.	Parts Name	No. Req'd	Inte	Remarks	Serial No. (From~To)
13		KY0390601042	MG ENCLOSING BAND	1			
14		KY0390600168	MG FRANGE	1			
15		KY0391400806	MG SCHUKO SOCKET	2			
16		KY0391802005	MG RUBBER CAP	1			
17		KY0391100047	MG BREAKER 12A	1			
18		KY0390200749	MG WATER PROTECTION	1			
19		KY0392000308	MG BOLT	2			
20		KY0390400136	MG NUT	2			
21		KY0390302042	MG PROTECTOR	3			
22		KY0392000991	MG BOLT	2			
23		KY0391600337	MG WASHER	4			
24		KY0390400145	MG NUT	1			

7. GRNERATOR



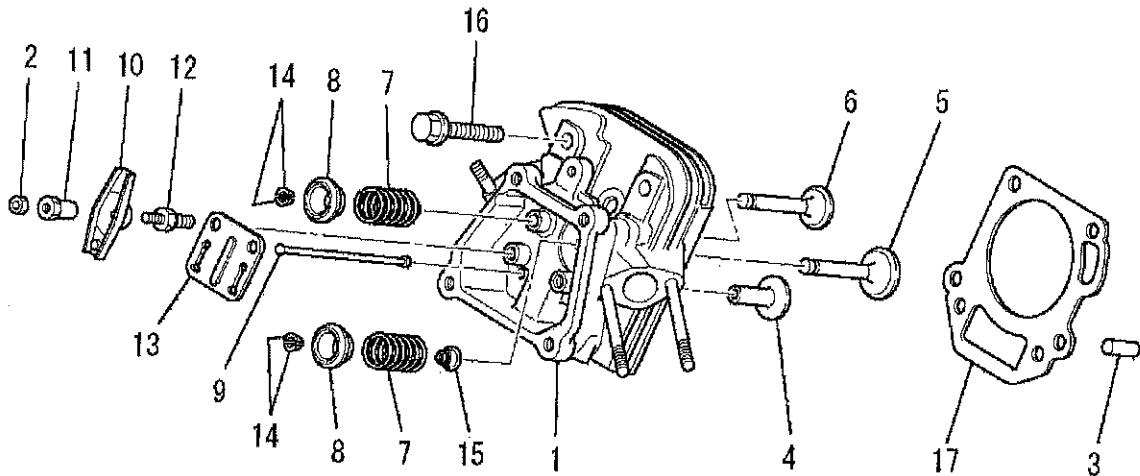
No.	R/N	Parts No.	Parts Name	No. Req'd	Inte	Remarks	Serial No. (From~To)
25		KY0391600344	MG WASHER	1			
26		KY0390601060	MG BAND	1			
27		KY0392000600	MG BOLT	4			
28		KY0391600338	MG WASHER	4			
29		KY0390400147	MG NUT	4			
30		KY0392000980	BOLT	8			
31		KU14043AA	BOLT, FLANGE	4			

(A) CYLINDER BLOCK GROUP



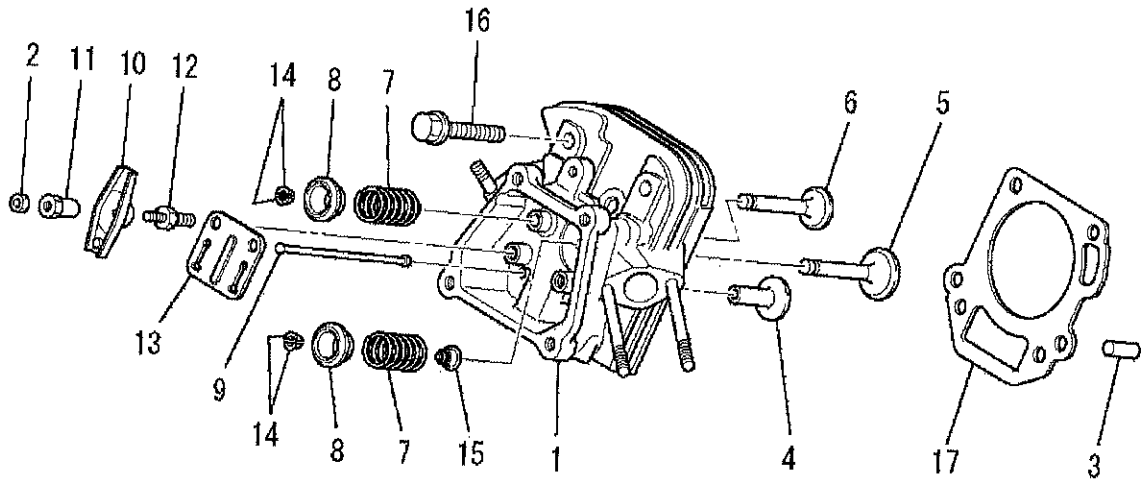
No.	R/N	Parts No.	Parts Name	No. Req'd	Inte	Remarks	Serial No. (From~To)
1		FA28011	OIL SEAL	1			
2		FN11223	PLUG, DRAIN	2			
3		KB46007CA	CYLINDER BLOCK	1			
4		S111X62X060	BEARING, BALL	1		#6206	
5		ZZ70013A	GASKET	2			

(B) CYLINDER HEAD GROUP



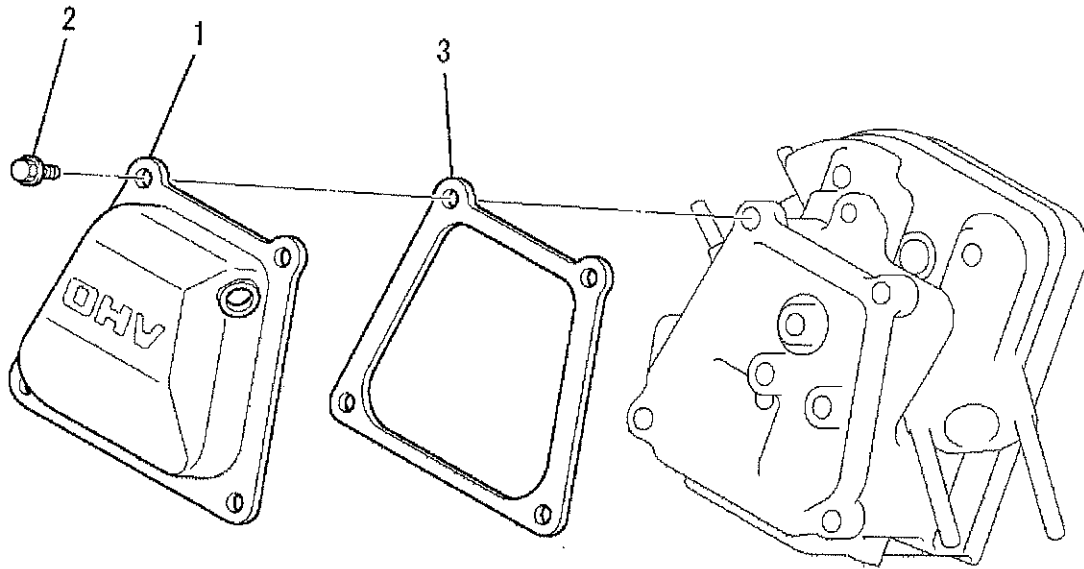
No.	R/N	Parts No.	Parts Name	No. Req'd	Inte	Remarks	Serial No. (From~To)
1		KC02028BA	CYLINDER HEAD ASSY	1		WITH B155B06X085	
2		KU23009AA	NUT	2			
3		KU44001AA	PIN, DOWEL	2			
4		KV24003AA	TAPPET	2			
5		KV35002BA	VALVE, INTAKE	1			
6		KV45002AA	VALVE, EXHAUST	1			
7		KV55006AA	SPRING, VALVE	2			
8		KV65003AA	RETAINER, VALVE SPG	2			
9		KV71004AA	ROD, PUSH	2			
10		KV72003AA	ARM, ROCKER	2			
11		KV73002AA	NUT	2			
12		KV74002AA	BOLT	2			

(B) CYLINDER HEAD GROUP



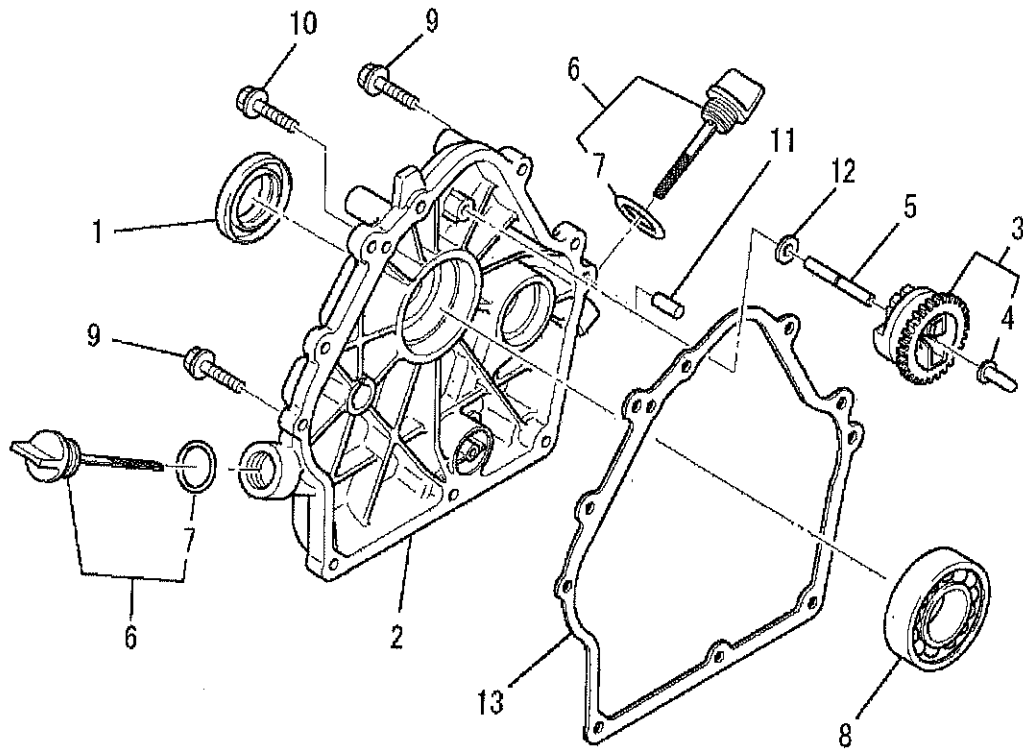
No.	R/N	Parts No.	Parts Name	No. Req'd	Inte	Remarks	Serial No. (From~To)
13		KV75006AA	PLATE	1			
14		KV75007AA	COTTER	4			
15		KW21019AA	SEAL, VALVE STEM	1			
16		B800B10X065	BOLT, FLANGE	4			
17		KC66009AA	GASKET, HEAD	1			

(C) HEAD COVER GROUP



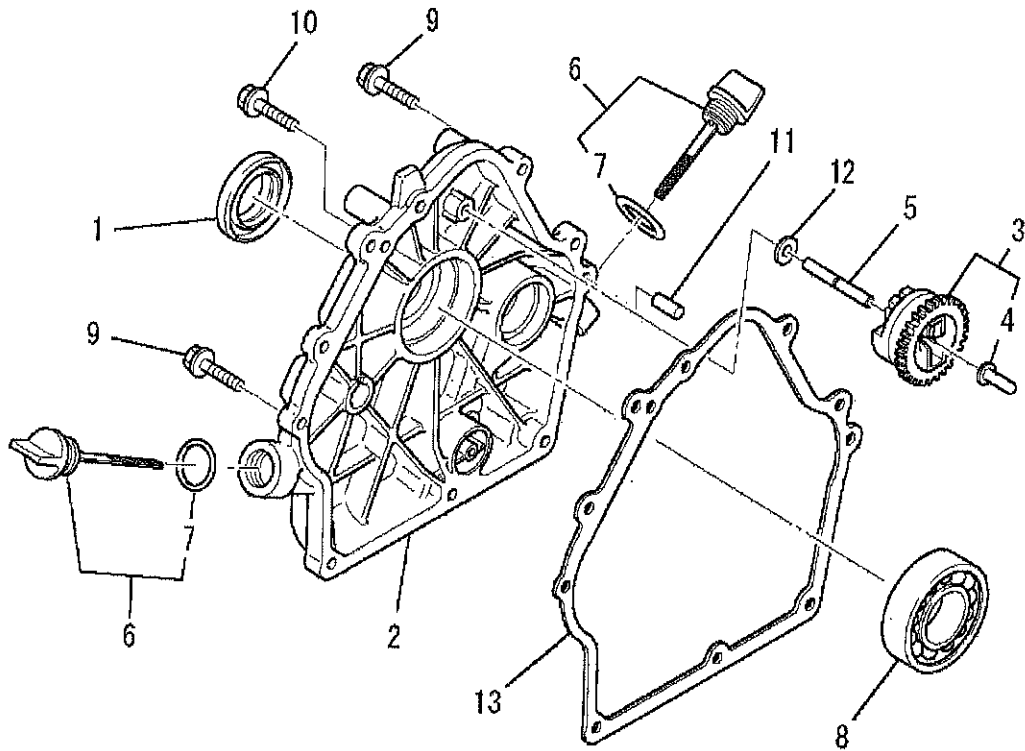
No.	R/N	Parts No.	Parts Name	No. Req'd	Inte	Remarks	Serial No. (From~To)
1		KC09002AA	COVER, HEAD	1			
2		B805B06X012	BOLT, FLANGE	4			
3		KW33002AA	GASKET, HEAD COVER	1			

(D) CASE COVER GROUP



No.	R/N	Parts No.	Parts Name	No. Req'd	Inte	Remarks	Serial No. (From~To)
1		FA29008	OIL SEAL	1			
2		KB66007FA	COVER, CRANKCASE	1			
3		KG01003CA	GOVERNOR GEAR ASSY	1		INCL. NO. 4	
4		KG14004AA	SLIDER, GOV	1			
5		KG22004AA	SHAFT, GOV	1			
6		KL21005EA	GAUGE, OIL	2		INCL. NO. 7	
7		KW29006AA	O-RING	2			
8		S111X62X060	BEARING, BALL	1		#6206	
9		B800B08X030	BOLT, FLANGE	8			
10		KU14031AA	BOLT, FLANGE	1			
11		KU44001AA	PIN, DOWEL	2			
12		W200H06	WASHER	1			

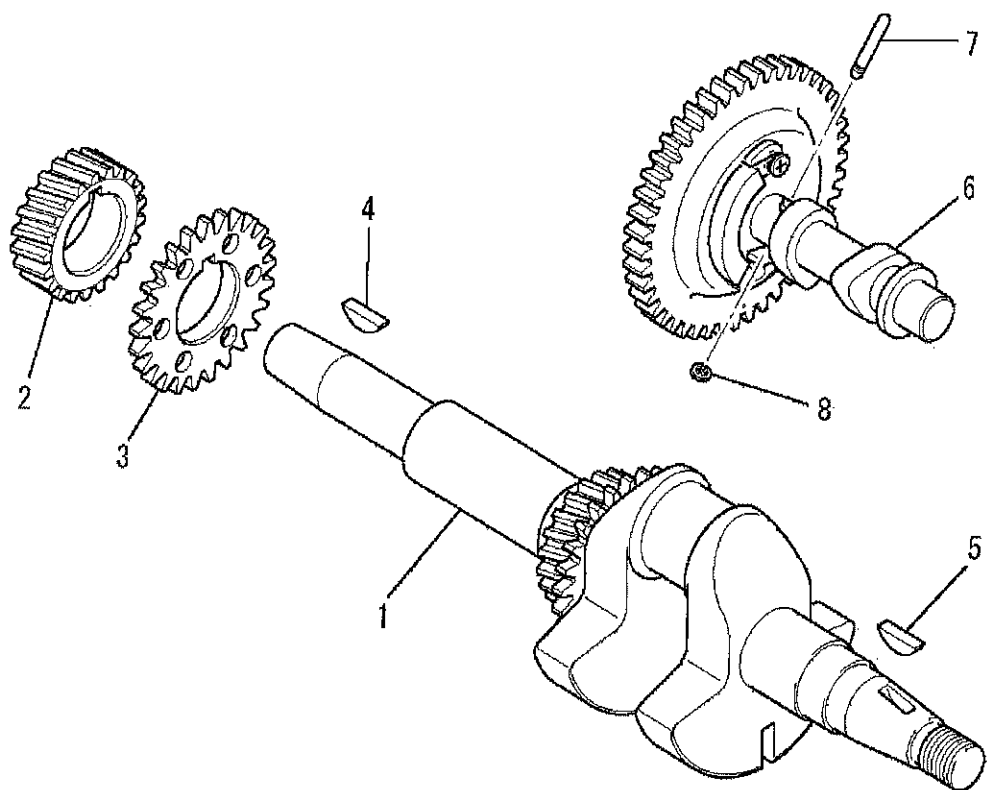
(D) CASE COVER GROUP



No.	R/N	Parts No.	Parts Name	No. Req'd	Inte	Remarks	Serial No. (From~To)
-----	-----	-----------	------------	-----------	------	---------	----------------------

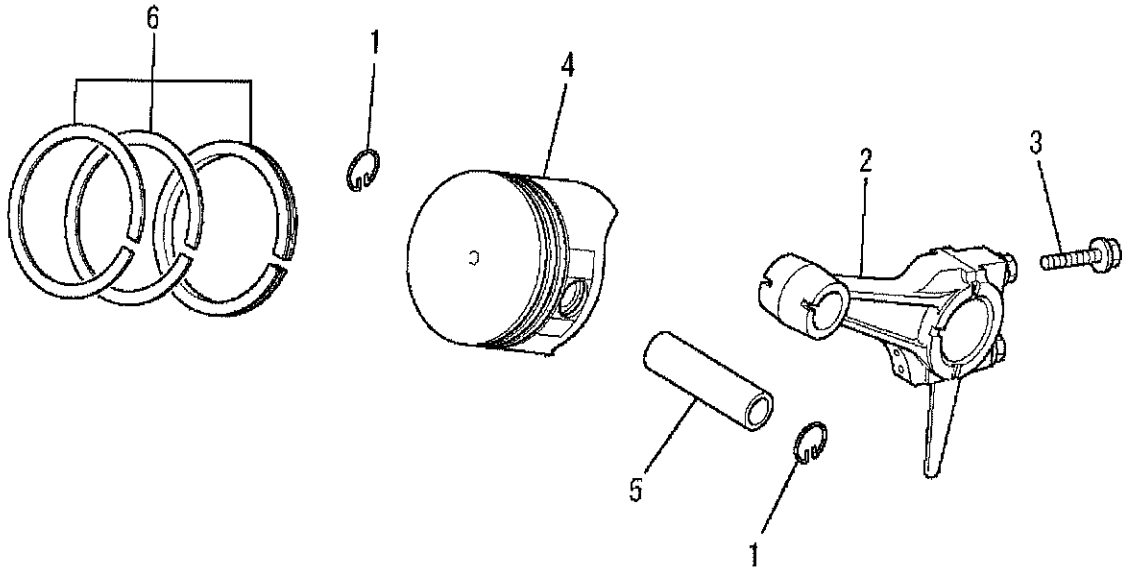
13		KW31007AA	GASKET, CRANKCASE	1			
----	--	-----------	-------------------	---	--	--	--

(E) CRANKSHAFT GROUP



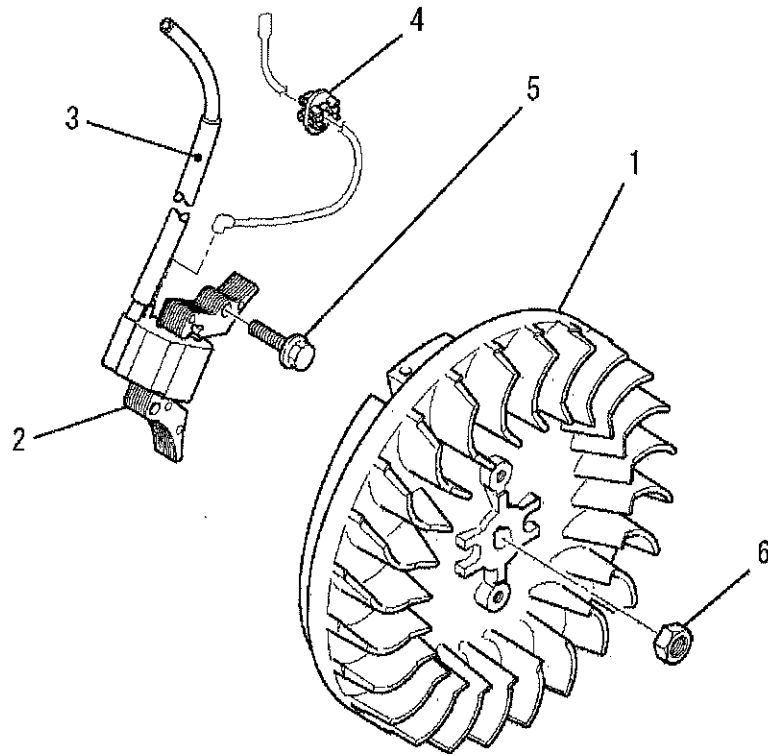
No.	R/N	Parts No.	Parts Name	No. Req'd	Inte	Remarks	Serial No. (From~To)
1		KD02034GA	CRANKSHAFT ASSY	1		INCL. NO. 2-4	
2		KD63021AA	GEAR, CRANKSHAFT	1			
3		KD63015AA	GEAR, BALANCER	1			
4		W430B05X016	KEY, WOODRUFF	1			
5		W430B05X016	KEY, WOODRUFF	1			
6		KV01196DA	CAMSHAFT GEAR ASSY	1		INCL. NO. 7, 8	
7		KV83009FA	PIN	1			
8		S500P03	SNAP RING	1			

(F) PISTON & ROD GROUP



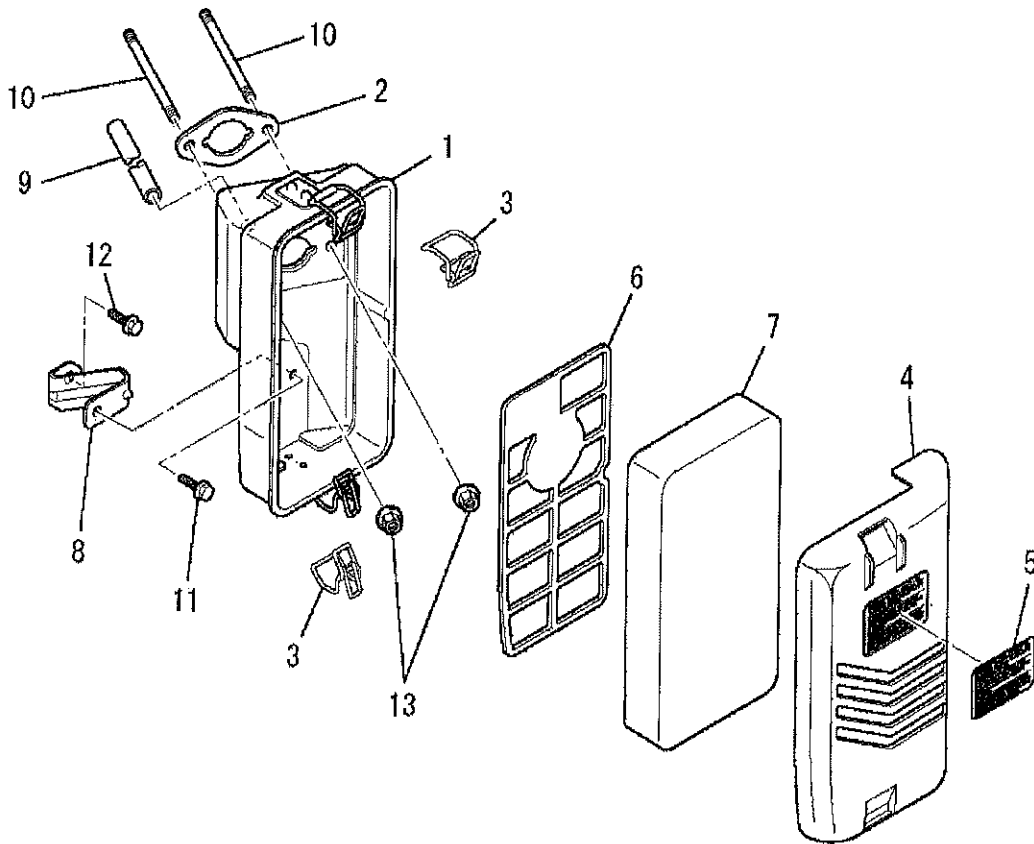
No.	R/N	Parts No.	Parts Name	No. Req'd	Inte Remarks	Serial No. (From~To)
1		BG04486	CLIP, PISTON PIN	2		
2		KD03020AA	CONNECTING ROD ASSY	1	STD	INCL. NO. 3
2	1	KD03020BA	CONNECTING ROD ASSY	1	US 0.25	INCL. NO. 3
2	2	KD03020CA	CONNECTING ROD ASSY	1	US 0.50	INCL. NO. 3
3		KD70001AA	BOLT	2		
4		KP17010AA	PISTON	1	STD	
4	1	KP17010BA	PISTON	1	OS 0.25	
4	2	KP17010CA	PISTON	1	OS 0.50	
5		KP57002AA	PIN, PISTON	1		
6		KP02010AA	PISTON RING SET	1	STD	
6	1	KP02010BA	PISTON RING SET	1	OS 0.25	
6	2	KP02010CA	PISTON RING SET	1	OS 0.50	

(G) MAGNETO GROUP



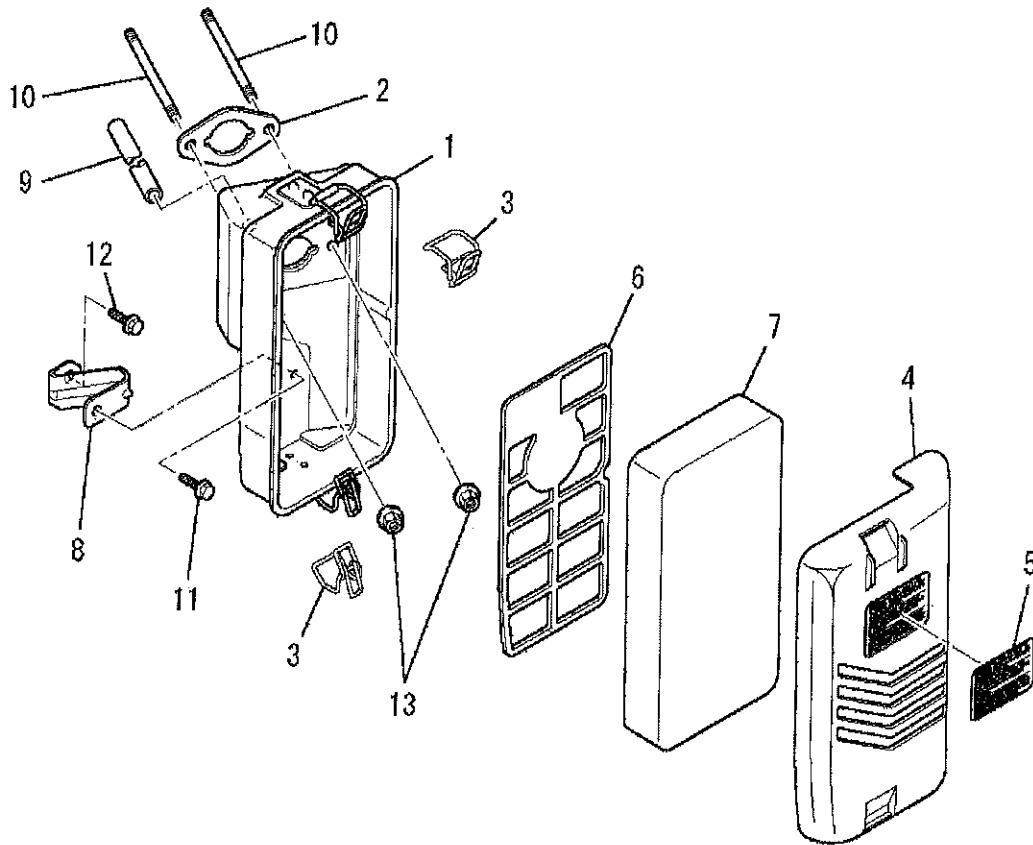
No.	R/N	Parts No.	Parts Name	No. Req'd	Inte	Remarks	Serial No. (From~To)
1		KE12010DA	FLYWHEEL	1			
2		KE24010BA	COIL, IGNITION	1			
3		KE90073AA	TUBE	1			
4		KU70007AA	CLIP	1			
5		B805B06X030	BOLT, FLANGE	2			
6		FR41231	NUT	1			

(H) AIR CLEANER GROUP



No.	R/N	Parts No.	Parts Name	No. Req'd	Inte	Remarks	Serial No. (From~To)
1		KA11009AA	CASE, CLEANER	1		INCL. NO. 2, 3	
2		KA11004BA007	GASKET	1			
3		KA90144AA	HOLDER	2			
4		KA20045AA	COVER, CLEANER	1		INCL. NO. 5	
5		FA24115	LABEL, INSTRUCTION	1			
6		KA30016AA	GRID	1			
7		KA40059AA	ELEMENT, CLEANER	1			
8		KA90097AA	BRACKET	1			
9		ZZ70002M	TUBE, BREATHER	1			
10		B155B06X085	BOLT, STUD	2			
11		B800A06X008	BOLT, FLANGE	1			
12		B805B06X012	BOLT, FLANGE	1			

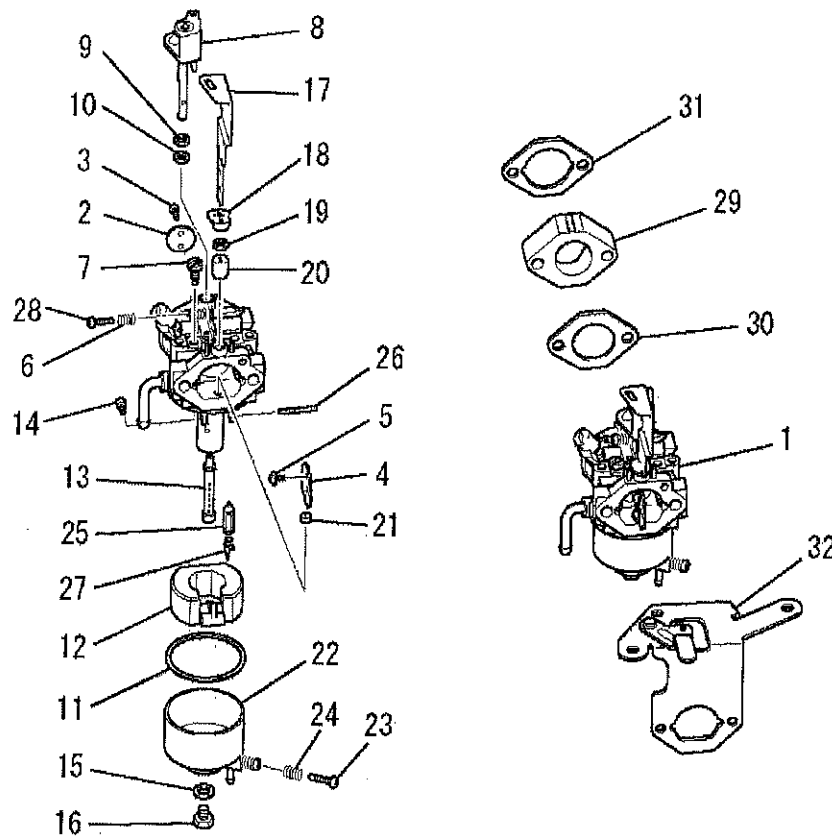
(H) AIR CLEANER GROUP



No.	R/N	Parts No.	Parts Name	No. Req'd	Inte	Remarks	Serial No. (From~To)
-----	-----	-----------	------------	-----------	------	---------	----------------------

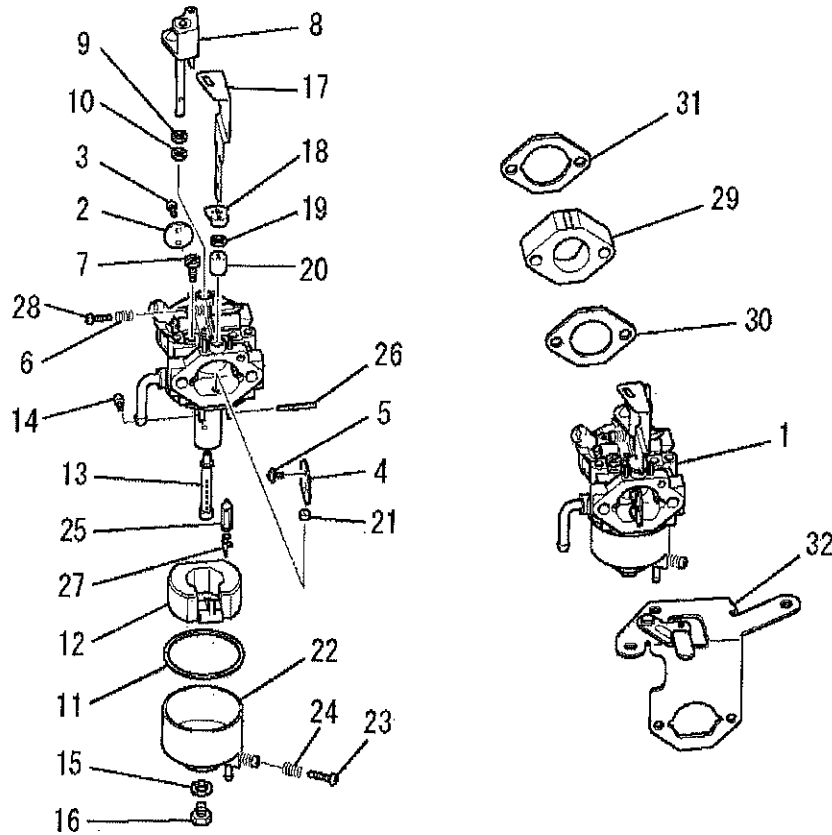
13		N801A06	NUT, FLANGE	2			
----	--	---------	-------------	---	--	--	--

(I) CARBURETOR GROUP



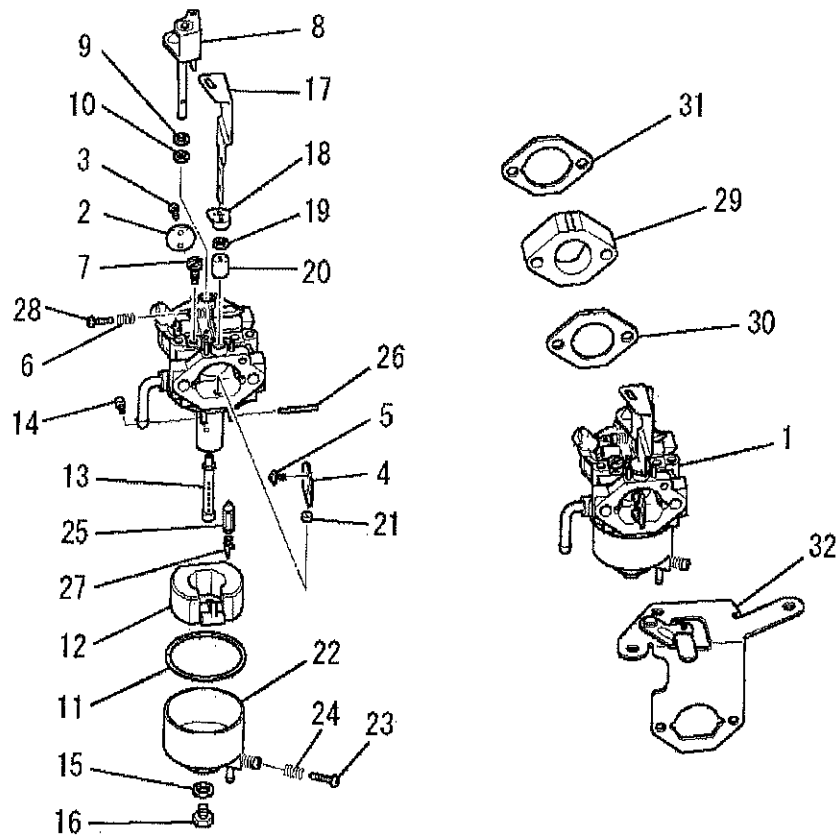
No.	R/N	Parts No.	Parts Name	No. Req'd	Inte	Remarks	Serial No. (From~To)
1		KK15012BA	CARBURETOR (F)	1		INCL. NO. 2-28	
2		KK15001AA002	VALVE, THROTTLE	1			
3		KK15016AA003	SCREW	2			
4		KK15003AE004	VALVE, CHOKE	1			
5		KK15016AA005	SCREW	2			
6		KK13003AA008	SPRING	1			
7		KK74508BC450	JET, PILOT	1			
8		KK15008XY011	SHAFT, THROTTLE	1			
9		KK12008AE015	PACKING	1			
10		KK12008AE016	SEAL	1			
11		KK15003AE014	PACKING	1			
12		KK15003AE015	FLOAT	1			

(I) CARBURETOR GROUP



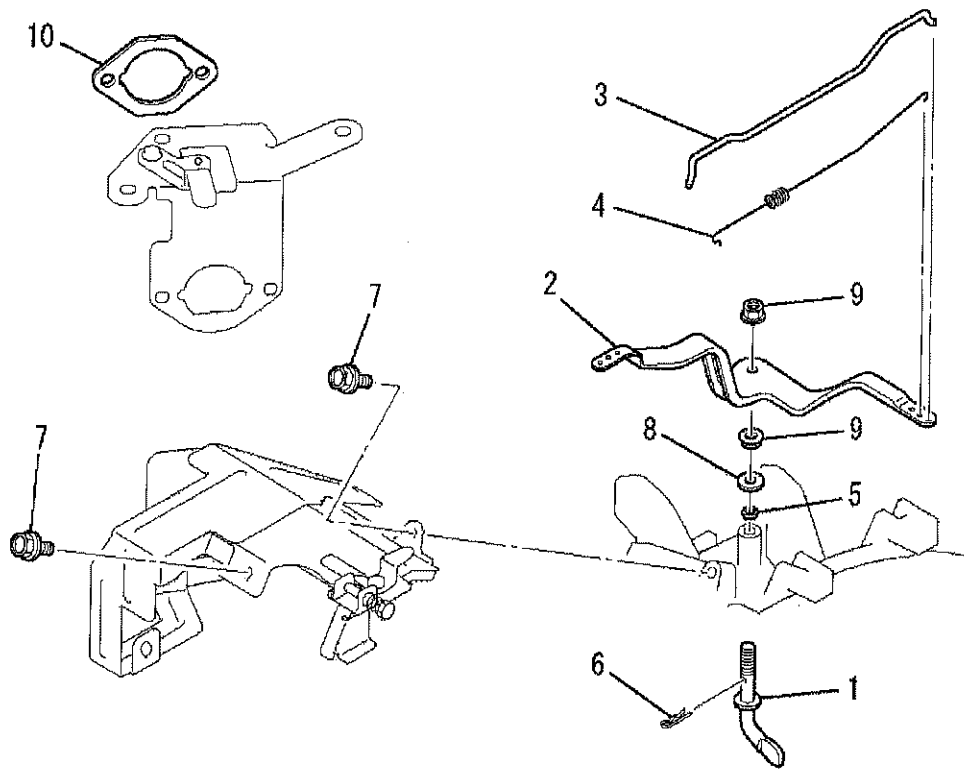
No.	R/N	Parts No.	Parts Name	No. Req'd	Inte	Remarks	Serial No. (From~To)
13		KK74524BJ003	NOZZLE, MAIN	1			
14		KK74525CA963	JET, MAIN	1			
15		FA27080XX013	GASKET	1			
16		KK15003AE019	BOLT	1			
17		KK15014AA020	LEVER, CHOKE	1			
18		KK12008AE018	RING	1			
19		KK12008AE019	SEAL	1			
20		KK12008AE020	RING	1			
21		KK15001AA014	RING	1			
22		KK15005DA025	CHAMBER, FLOAT	1		INCL. NO. 23, 24	
23		KK15001AA018	SCREW	1			
24		KK13003AA008	SPRING	1			

(I) CARBURETOR GROUP



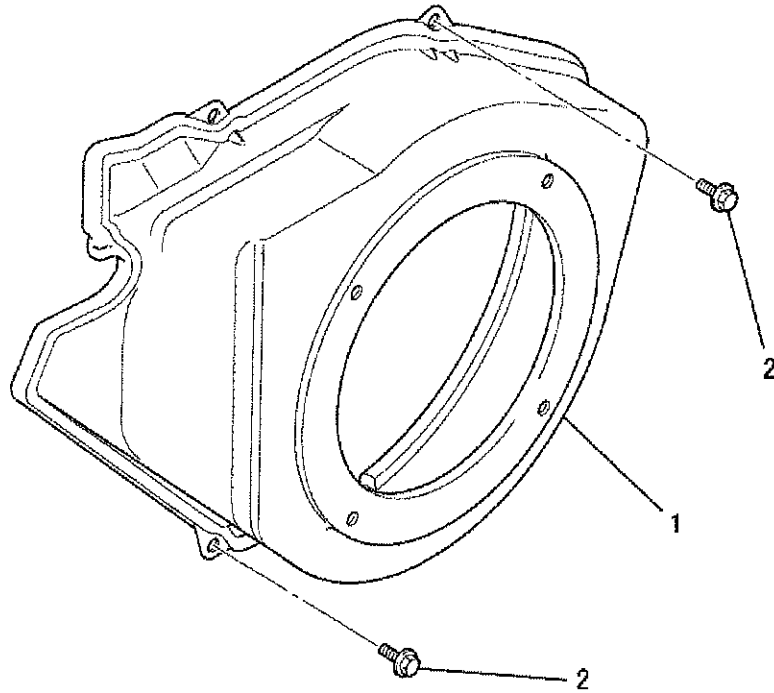
No.	R/N	Parts No.	Parts Name	No. Req'd	Inte	Remarks	Serial No. (From~To)
25		KK15001AA015	NEEDLE, MAIN	1			
26		KK15001AA016	PIN	1			
27		KK12008AE011	CLIP	1			
28		KK12008AE009	SCREW	1			
29		KK33007AA	INSULATOR	1			
30		KW34001AA	GASKET, CARBURETOR	1			
31		KW34005AA	GASKET, CARBURETOR	1			
32		KK09009AA	CHOKE LEVER ASSY	1			

(J) CONTROL PANEL GROUP



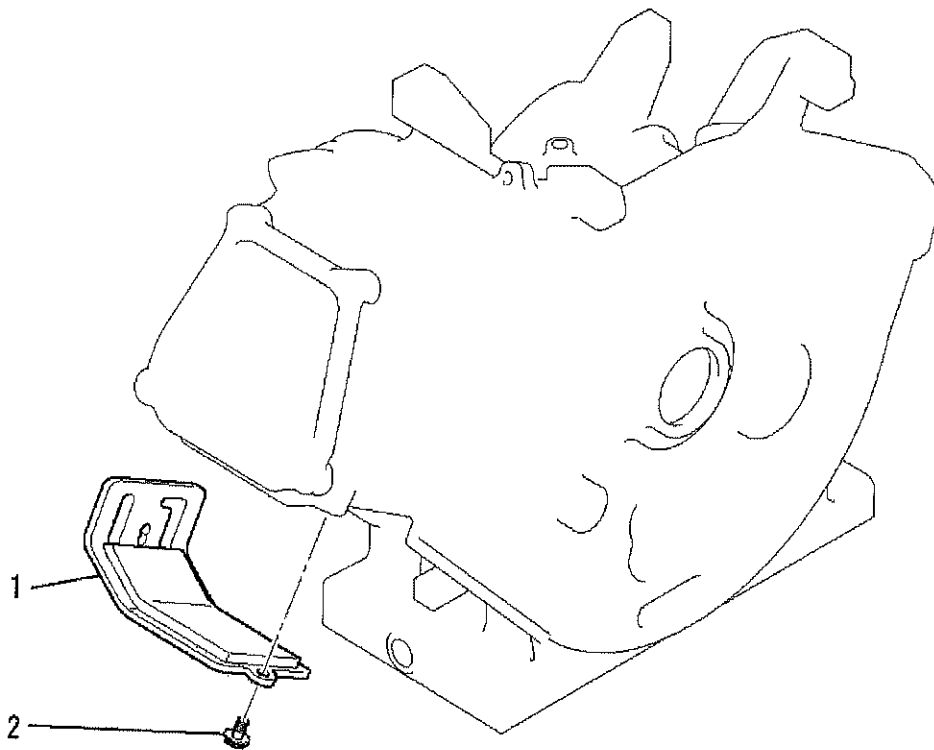
No.	R/N	Parts No.	Parts Name	No. Req'd	Inte	Remarks	Serial No. (From~To)
1		KG22006AA	SHAFT, GOV	1			
2		KG31014AA	LEVER, GOV	1			
3		KG41011AA	ROD, GOV	1			
4		KG42009AA	SPRING, ROD	1			
5		KG90016AA	SEAL, DUST	1			
6		KU70006AA	CLIP	1			
7		B805B06X012	BOLT, FLANGE	2			
8		KG90015AA	WASHER	1			
9		KU24002AA	NUT	2			
10		KW34005AA	GASKET, CARBURETOR	1			

(K) FAN COVER GROUP



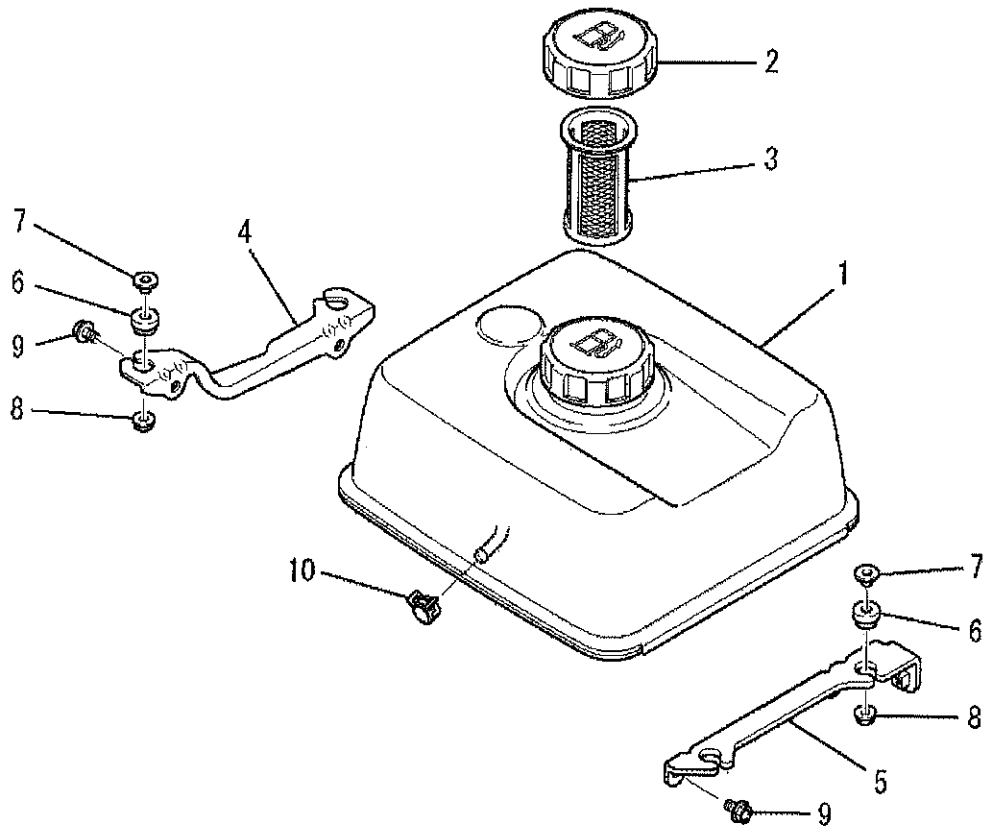
No.	R/N	Parts No.	Parts Name	No. Req'd	Inte	Remarks	Serial No. (From~To)
1		KH28011AH	COVER, FAN	1			
2		B805B06X012	BOLT, FLANGE	4			

(L) CYLINDER COVER GROUP



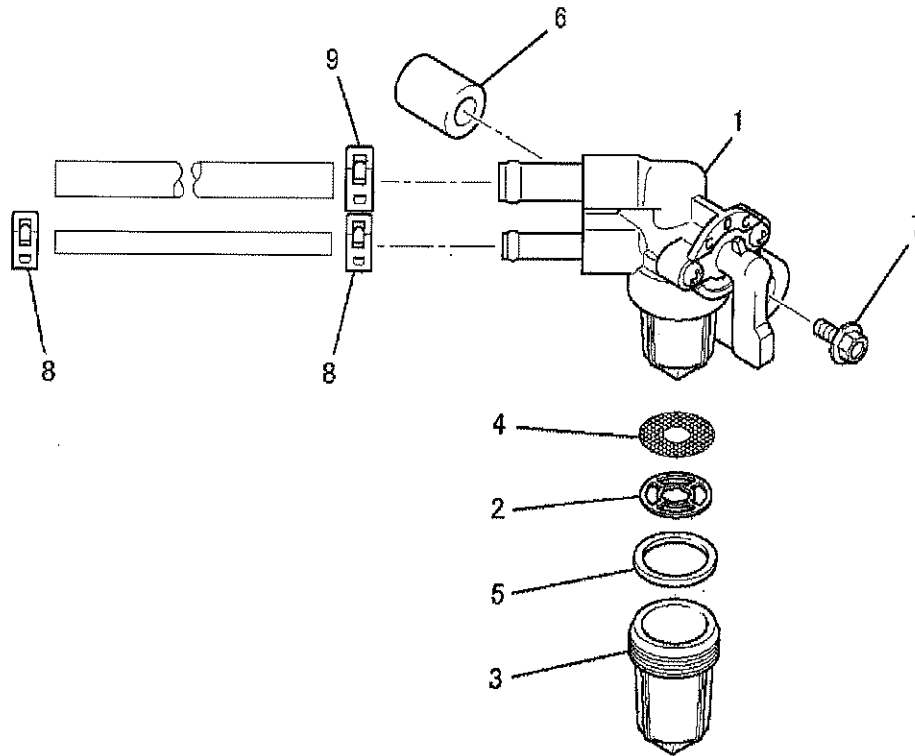
No.	R/W	Parts No.	Parts Name	No. Req'd	Inte	Remarks	Serial No. (From~To)
1		KH40089AA	COVER, CYLINDER	1			
2		B805B06X012	BOLT, FLANGE	2			

(M) TANK GROUP



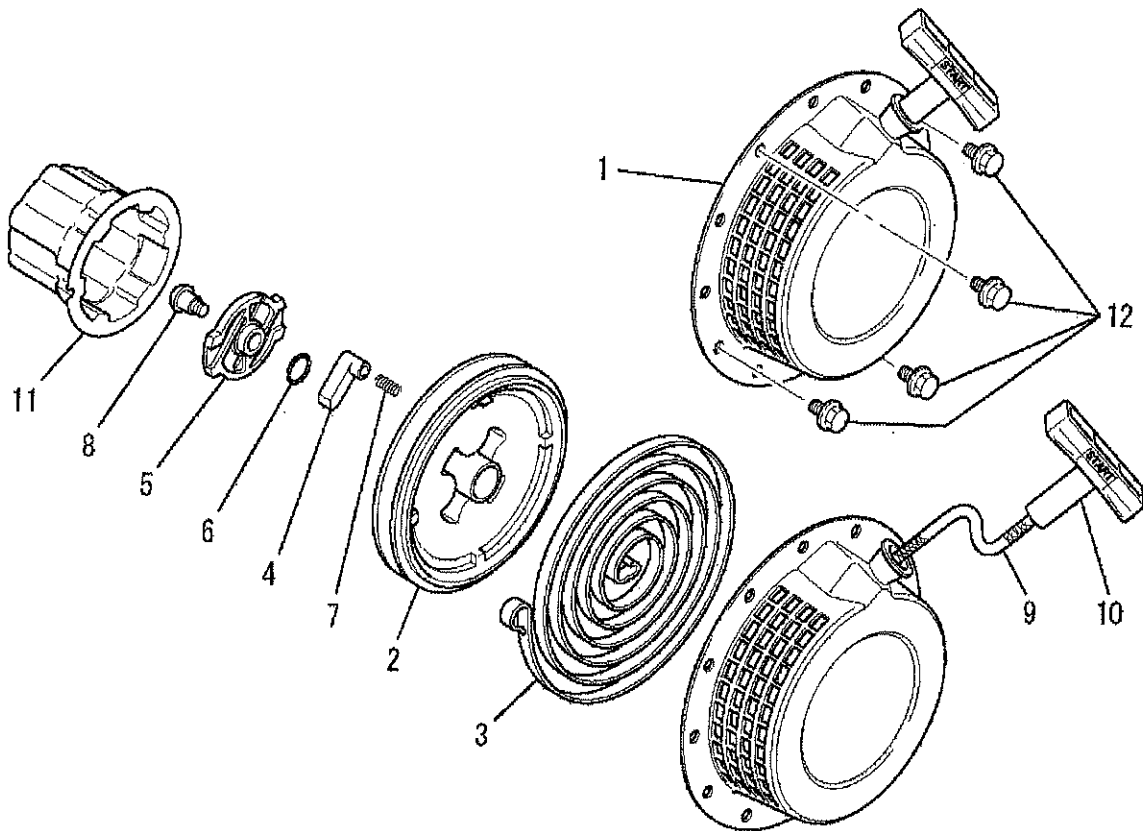
No.	R/N	Parts No.	Parts Name	No. Req'd	Inte	Remarks	Serial No. (From~To)
1		KF04054BD	FUEL TANK ASSY	1		INCL. NO. 2, 3	
2		KF05010CA	TANK CAP ASSY	1			
3		KF40003CA	FILTER, FUEL	1			
4		KF59008AA	BRACKET, TANK	1			
5		KF59009AA	BRACKET, TANK	1			
6		KU50018AA	BUSH	4			
7		KU50019AA	SPACER	4			
8		N801A06	NUT, FLANGE	4			
9		B805B06X016	BOLT, FLANGE	4			
10		FR67419	CLIP	1			

(N) COCK GROUP



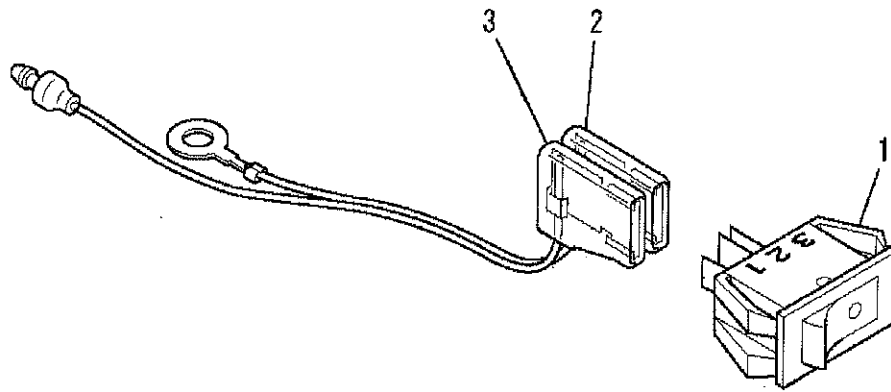
No.	R/N	Parts No.	Parts Name	No. Req'd	Inte	Remarks	Serial No. (From~To)
1		KF31036AA	COCK, FUEL	1		INCL. NO. 2-5	
2		KF31035AA012	PACKING	1			
3		KF31036AA106	CUP	1			
4		KF31035AA003	FILTER, FUEL	1			
5		KF31035AA102	PACKING	1			
6		KF90105AA	SPACER	1			
7		B800A06X025	BOLT, FLANGE	1			
8		FR53226	CLIP	2			
9		FR67419	CLIP	1			

(R) RECOIL STARTER GROUP



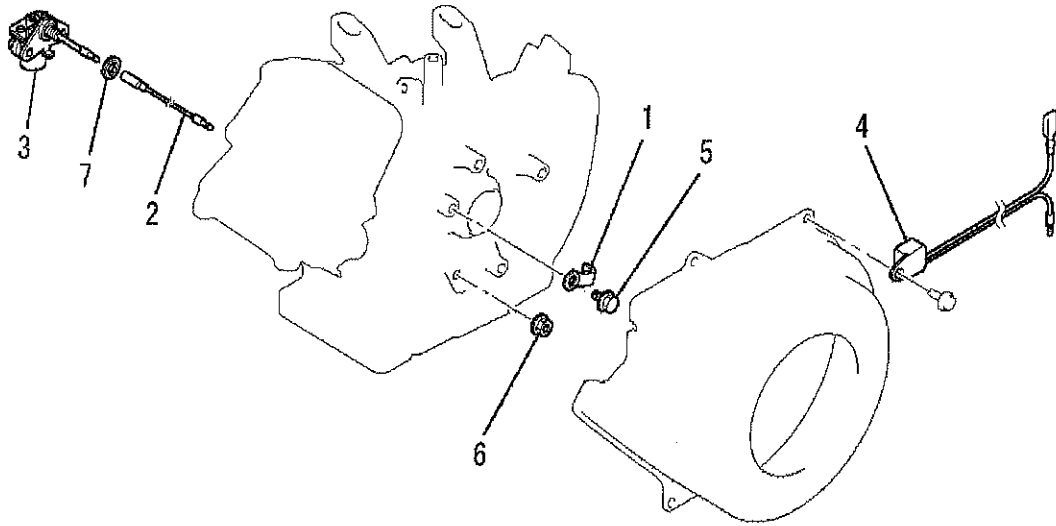
No.	R/N	Parts No.	Parts Name	No. Req'd	Inte	Remarks	Serial No. (From~To)
1		KS02039AD	RECOIL STARTER ASSY	1		INCL. NO. 2-11	
2		KS20060AD002	REEL	1			
3		KS20060AD003	SPRING, SPIRAL	1			
4		KS20060AD004	RATCHET	2			
5		KS20061AD005	GUIDE	1			
6		KS20060AD006	SPRING, FRICTION	1			
7		KS20020AD007	SPRING, RETURN	2			
8		KS20020AD008	SCREW	1			
9		KS20035AD013	ROPE, STARTER	1			
10		KS20060AD014	KNOB, STARTER	1			
11		KS30020AA	PULLEY, STARTER	1			
12		B800A06X008	BOLT, FLANGE	4			

(U) SWITCH GROUP



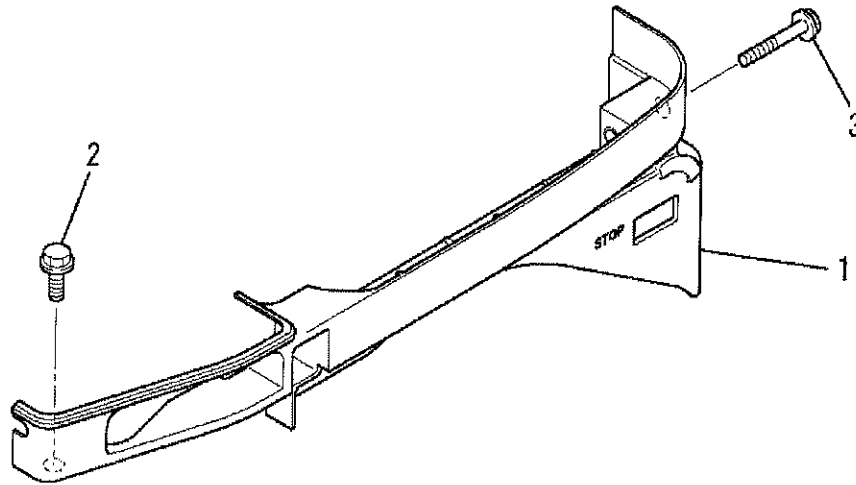
No.	R/N	Parts No.	Parts Name	No. Req'd	Inte	Remarks	Serial No. (From~To)
1		KE80014AA	SWITCH, STOP	1			
2		KE90108AA	WIRE, LEAD	1			
3		KE90110AA	WIRE, LEAD	1			

(W) OIL SENSOR GROUP



No.	R/N	Parts No.	Parts Name	No. Req'd	Inte	Remarks	Serial No. (From~To)
1		FA41303	CLAMP	1			
2		FR63858D	WIRE, LEAD	1			
3		KE09021AA	SENSOR, OIL	1			
4		KE34001BA	UNIT	1			
5		B805B06X012	BOLT, FLANGE	1			
6		ZZ70028C	NUT, CONICAL SPG	1			
7		KW39066AA	GASKET	1			

(X) COVER GROUP



No.	R/N	Parts No.	Parts Name	No. Req'd	Inte	Remarks	Serial No. (From~To)
1		KR04006QA	COVER, FRONT	1			
2		B800A06X030	BOLT, FLANGE	1			
3		B800A06X050K	BOLT, FLANGE	1			