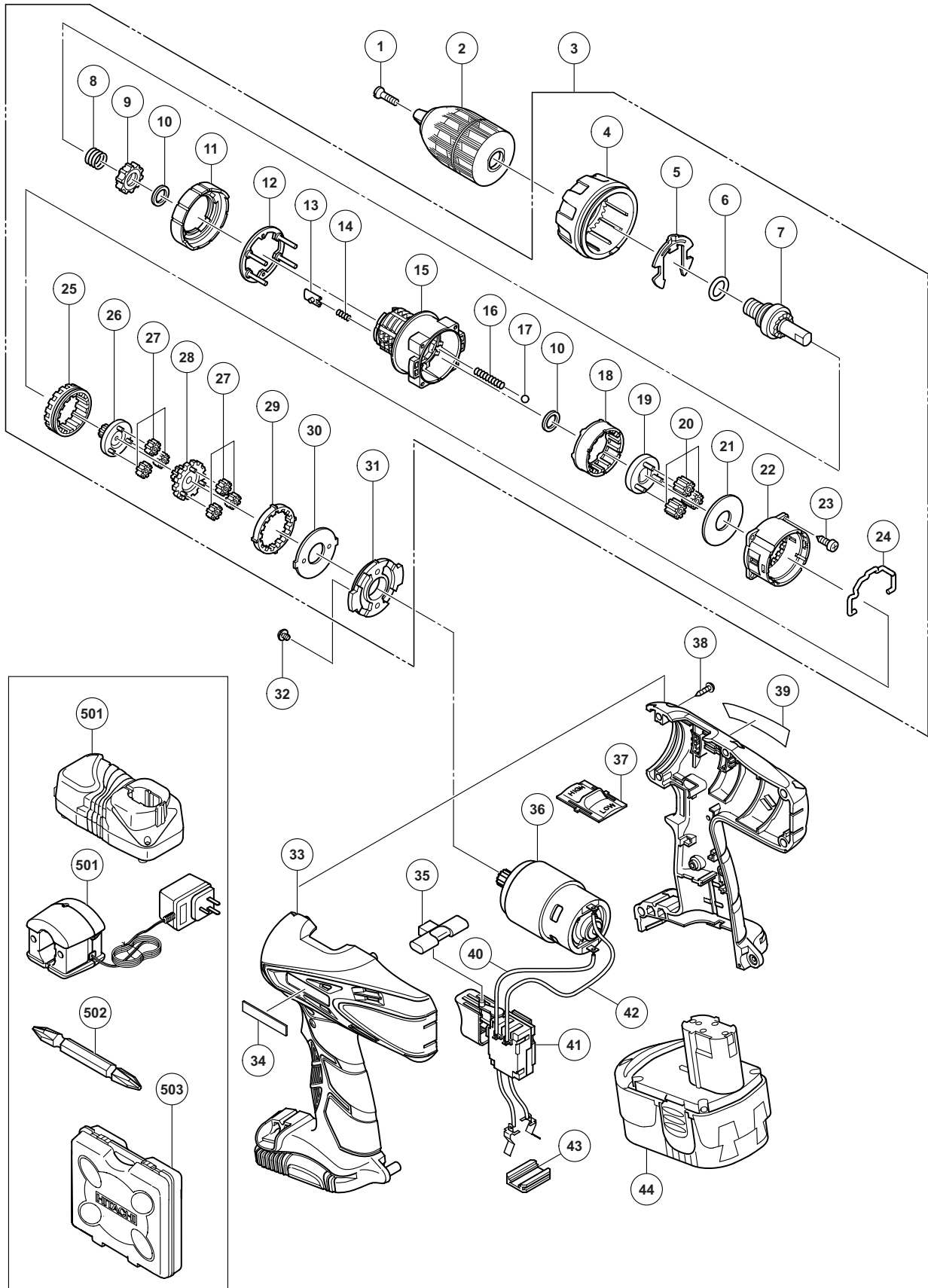


ELECTRIC TOOL PARTS LIST

■ CORDLESS IMPACT DRIVER DRILL 2010·6·14
Model DV 18DVC2 (E1)



PARTS

DV 18DVC2

ITEM NO.	CODE NO.	DESCRIPTION	NO. USED	REMARKS	
	1	995-344	FLAT HD. SCREW (A) (LEFT HAND) M6 X 25	1	
*	2	332-049	DRILL CHUCK 13VLRN-N	1	
*	2	322-625	DRILL CHUCK 13VLRJ-N (W/O CHUCK WRENCH)	1	FOR USA, CAN
	3	332-008	GEAR BOX ASS'Y	1	INCLUD. 4-31
	4	332-015	CLUTCH DIAL	1	
	5	327-146	CLICK SPRING	1	
	6	327-142	O-RING	1	
	7	332-010	SPINDLE	1	
	8	327-136	SPRING (C)	1	
	9	327-134	RATCHET (B)	1	
	10	327-147	WASHER (A)	2	
	11	327-145	NUT	1	
	12	332-016	WASHER	1	
	13	327-135	SLIP BLOCK	2	
	14	327-133	STOPPER SPRING	2	
	15	332-009	FRONT CASE	1	
	16	332-018	SPRING (A)	4	
	17	306-936	STEEL BALL D5	4	
	18	328-055	RING GEAR	1	
	19	332-011	CARRIER	1	
	20	312-705	PLANET GEAR (C) SET (3 PCS.)	3	
	21	312-704	WASHER (A)	1	
	22	327-140	REAR CASE	1	
	23	324-357	SCREW SET D3 X 12 (4 PCS.)	4	
	24	332-017	SHIFT ARM	1	
	25	332-013	SLIDE RING GEAR	1	
	26	332-012	PINION (C)	1	
	27	332-019	PLANET GEAR (A) SET (6 PCS.)	6	
	28	332-014	PINION (B)	1	
	29	332-023	FIRST RING GEAR	1	
	30	312-716	WASHER (B)	1	
	31	312-698	MOTOR SPACER	1	
	32	317-333	MACHINE SCREW (W/SP. WASHER) M4 X 6	2	
*	33	332-039	HOUSING (A). (B) SET (GREEN)	1	
*	33	332-985	HOUSING (A). (B) SET (GREEN)	1	FOR USA, CAN
	34	330-719	HITACHI LABEL	1	
	35	332-836	PUSHING BUTTON	1	
	36	332-020	MOTOR DC 18V	1	
	37	332-036	SHIFT KNOB	1	
	38	313-687	TAPPING SCREW (W/FLANGE) D3 X 16 (BLACK)	9	
	39		NAME PLATE	1	
	40	332-843	INTERNAL WIRE (BLACK) 130L	1	
	41	332-038	SWITCH TERMINAL	1	
	42	324-499	INTERNAL WIRE (RED) 140L	1	
	43	315-141	TERMINAL SUPPORT (A)	1	
*	44	332-083	BATTERY BCC 1812 (EUROPE, AUS, NZL)	2	
*	44	332-583	BATTERY BCC 1812 (USA)	2	
*	44	332-083	BATTERY BCC 1812 (EUROPE, AUS, NZL)	3	FOR GBR

