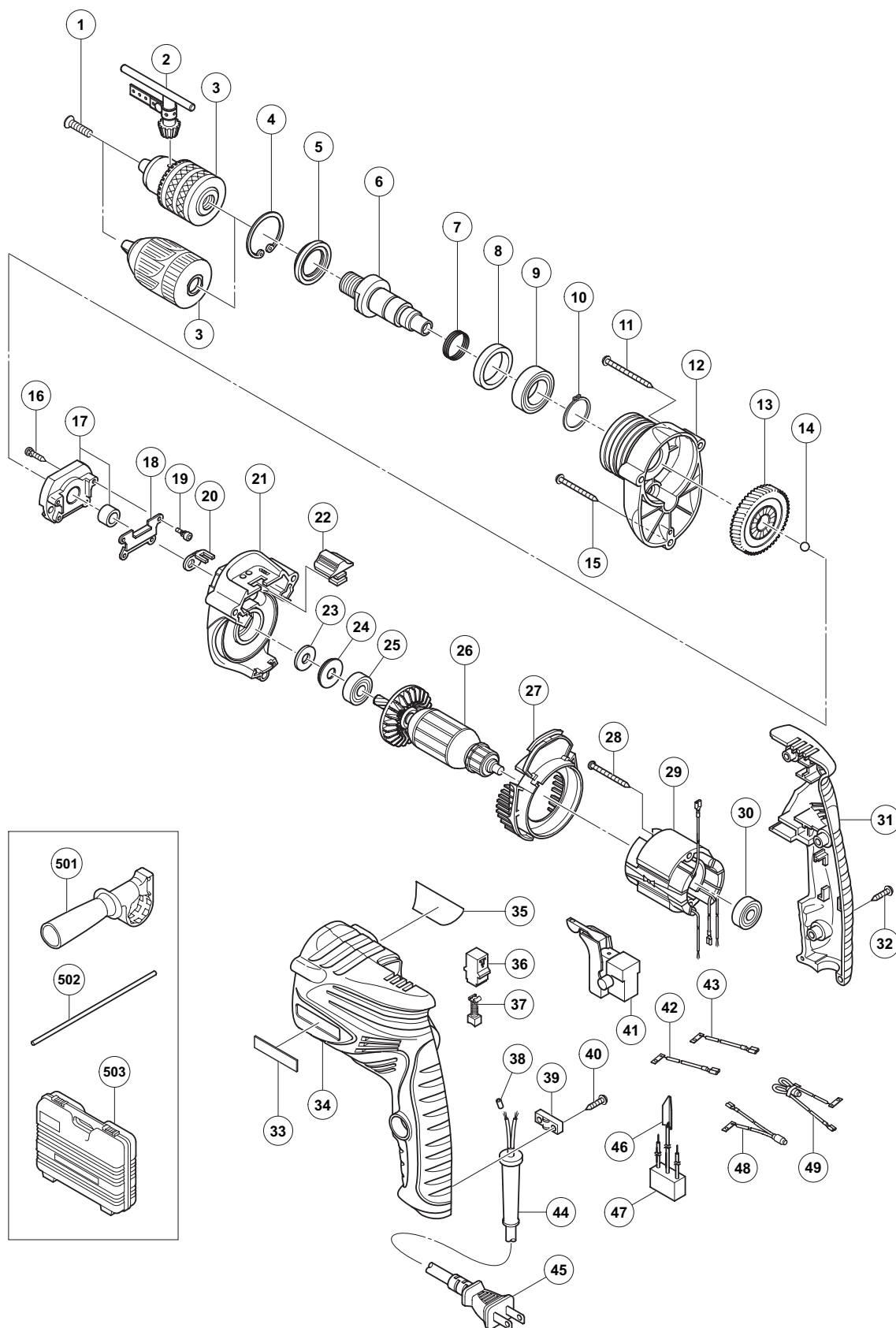


## ELECTRIC TOOL PARTS LIST

### IMPACT DRILL Model DV 13VSS

2009·5·29  
(E1)



**PARTS**

DV 13VSS

| ITEM NO. | CODE NO. | DESCRIPTION                              | NO. USED | REMARKS   |
|----------|----------|--|----------|---|
| 1        | 995-344  | FLAT HD. SCREW (A) (LEFT HAND) M6 X 25   | 1        |   |
| * 2      | 987-576  | CHUCK WRENCH FOR 13VLB-D, 13VLR-D        | 1        |   |
| * 3      |          | DRILL CHUCK 13VLRC-D                     | 1        | INCLUD. 2 SUPPLIED WITH ITEM NO.601                       |
| * 3      | 322-625  | DRILL CHUCK 13VLRJ-N (W/O CHUCK WRENCH)  | 1        |   |
| 4        | 948-001  | RETAINING RING FOR D32 HOLE              | 1        |   |
| 5        | 971-654  | DUST SEAL                                | 1        |   |
| 6        | 331-522  | SPINDLE                                  | 1        |   |
| 7        | 322-514  | SPRING                                   | 1        |   |
| 8        | 330-682  | DISTANCE RING                            | 1        |   |
| 9        | 600-2VV  | BALL BEARING 6002VVCMP2L                 | 1        |   |
| 10       | 939-544  | RETAINING RING FOR D15 SHAFT (10 PCS.)   | 1        |   |
| 11       | 322-657  | TAPPING SCREW (W/FLANGE) D4 X 60 (BLACK) | 2        |   |
| 12       | 330-681  | GEAR COVER                               | 1        |   |
| 13       | 330-683  | GEAR                                     | 1        |   |
| 14       | 959-150  | STEEL BALL D6.35 (10 PCS.)               | 1        |   |
| 15       | 301-815  | TAPPING SCREW (W/FLANGE) D4 X 45         | 1        |   |
| 16       | 330-680  | TAPPING SCREW (W/SP. WASHER) D4 X 20     | 2        |   |
| 17       | 330-677  | RATCHET                                  | 1        |   |
| 18       | 330-678  | BUSHING                                  | 1        |   |
| 19       | 330-679  | BOLT M3                                  | 4        |   |
| 20       | 330-676  | CHANGE PLATE                             | 1        |   |
| 21       | 330-675  | INNER COVER                              | 1        |   |
| 22       | 322-510  | CHANGE LEVER                             | 1        |   |
| 23       | 323-096  | FELT PACKING                             | 1        |   |
| 24       | 330-674  | WASHER (A)                               | 1        |   |
| 25       | 608-DDM  | BALL BEARING 608DDC2PS2L                 | 1        |   |
| * 26     | 360-864C | ARMATURE 110V                            | 1        |   |
| * 26     | 360-864U | ARMATURE ASS'Y 120V                      | 1        | INCLUD. 25, 30  |
| * 26     | 360-864E | ARMATURE 220V                            | 1        |   |
| * 26     | 360-864G | ARMATURE 230V-240V                       | 1        |   |
| 27       | 330-673  | FAN GUIDE                                | 1        |   |
| 28       | 991-031  | TAPPING SCREW D4 X 45                    | 2        |   |
| * 29     | 340-743C | STATOR 110V                              | 1        |   |
| * 29     | 340-743D | STATOR 120V                              | 1        |   |
| * 29     | 340-743E | STATOR 220V                              | 1        |   |
| * 29     | 340-743G | STATOR 230V-240V                         | 1        |   |
| 30       | 608-VVM  | BALL BEARING 608VVC2PS2L                 | 1        |   |
| 31       | 330-715  | HANDLE COVER                             | 1        |   |
| 32       | 301-653  | TAPPING SCREW (W/FLANGE) D4 X 20 (BLACK) | 3        |   |
| 33       | 330-719  | HITACHI LABEL                            | 1        |   |
| 34       | 330-714  | HOUSING                                  | 1        |   |
| 35       |          | NAME PLATE                               | 1        |   |
| 36       | 955-203  | BRUSH HOLDER                             | 2        |   |
| 37       | 999-041  | CARBON BRUSH (1 PAIR)                    | 2        |   |
| * 38     | 981-373  | TUBE (D)                                 | 2        | FOR CORD  |
| 39       | 937-631  | CORD CLIP                                | 1        |   |
| 40       | 984-750  | TAPPING SCREW (W/FLANGE) D4 X 16         | 2        |   |
| * 41     | 330-716  | SWITCH                                   | 1        |   |
| * 41     | 330-684  | SWITCH                                   | 1        | FOR GBR (110V), USA, CAN, MEX, VEN, TPE                   |
| * 42     | 330-717  | INTERNAL WIRE (BROWN)                    | 1        | FOR USA, CAN, VEN, TPE, SYR, INA, HKG, KUW, IND, THA, SIN |

| ITEM NO. | CODE NO. | DESCRIPTION          | NO. USED | REMARKS  |
|----------|----------|----------------------|----------|--|
| * 43     | 330-718  | INTERNAL WIRE (BLUE) | 1        | FOR USA, CAN, VEN, TPE, SYR, INA, HKG, KUW, IND, THA, SIN        |
| 44       | 938-051  | CORD ARMOR D10.1     | 1        |  |
| * 45     | 500-409Z | CORD                 | 1        | (CORD ARMOR D10.1)   |
| * 45     | 500-247Z | CORD                 | 1        | (CORD ARMOR D10.1) FOR FIN, DEN, SWE, NOR,HKG, SIN               |
| * 45     | 500-436Z | CORD                 | 1        | (CORD ARMOR D10.1) FOR GBR (230V), KUW                           |
| * 45     | 500-461Z | CORD                 | 1        | (CORD ARMOR D10.1) FOR GBR (110V)                                |
| * 45     | 500-447Z | CORD                 | 1        | (CORD ARMOR D10.1) FOR URU, CHI                                  |
| * 45     | 500-240Z | CORD                 | 1        | (CORD ARMOR D10.1) FOR USA, CAN, MEX                             |
| * 45     | 500-201Z | CORD                 | 1        | (CORD ARMOR D10.1) FOR VEN                                       |
| * 45     | 500-439Z | CORD                 | 1        | (CORD ARMOR D10.1) FOR AUS, NZL                                  |
| * 45     | 500-468Z | CORD                 | 1        | (CORD ARMOR D10.1) FOR CHN, THA, PHI                             |
| * 45     | 500-470Z | CORD                 | 1        | (CORD ARMOR D10.1) FOR TPE                                       |
| * 45     | 500-231Z | CORD                 | 1        | (CORD ARMOR D10.1) FOR KOR                                       |
| * 46     | 992-635  | EARTH TERMINAL       | 1        | EXCEPT FOR USA, CAN, VEN, TPE, SYR, INA, HKG, KUW, IND, THA, SIN |
| * 47     | 994-273  | NOISE SUPPRESSOR     | 1        | EXCEPT FOR USA, CAN, VEN, TPE, SYR, INA, HKG, KUW, IND, THA, SIN |
| * 48     | 330-686  | CHOKe COIL (BLUE)    | 1        | EXCEPT FOR USA, CAN, VEN, TPE, SYR, INA, HKG, KUW, IND, THA, SIN |
| * 49     | 330-685  | CHOKe COIL (BROWN)   | 1        | EXCEPT FOR USA, CAN, VEN, TPE, SYR, INA, HKG, KUW, IND, THA, SIN |
|          |          |                      |          |  |
|          |          |                      |          |  |
|          |          |                      |          |  |
|          |          |                      |          |  |
|          |          |                      |          |  |
|          |          |                      |          |  |
|          |          |                      |          |  |
|          |          |                      |          |  |
|          |          |                      |          |  |
|          |          |                      |          |  |
|          |          |                      |          |  |
|          |          |                      |          |  |
|          |          |                      |          |  |
|          |          |                      |          |  |
|          |          |                      |          |  |
|          |          |                      |          |  |
|          |          |                      |          |  |
|          |          |                      |          |  |
|          |          |                      |          |  |
|          |          |                      |          |  |
|          |          |                      |          |  |

