

# Hitachi Power Tools

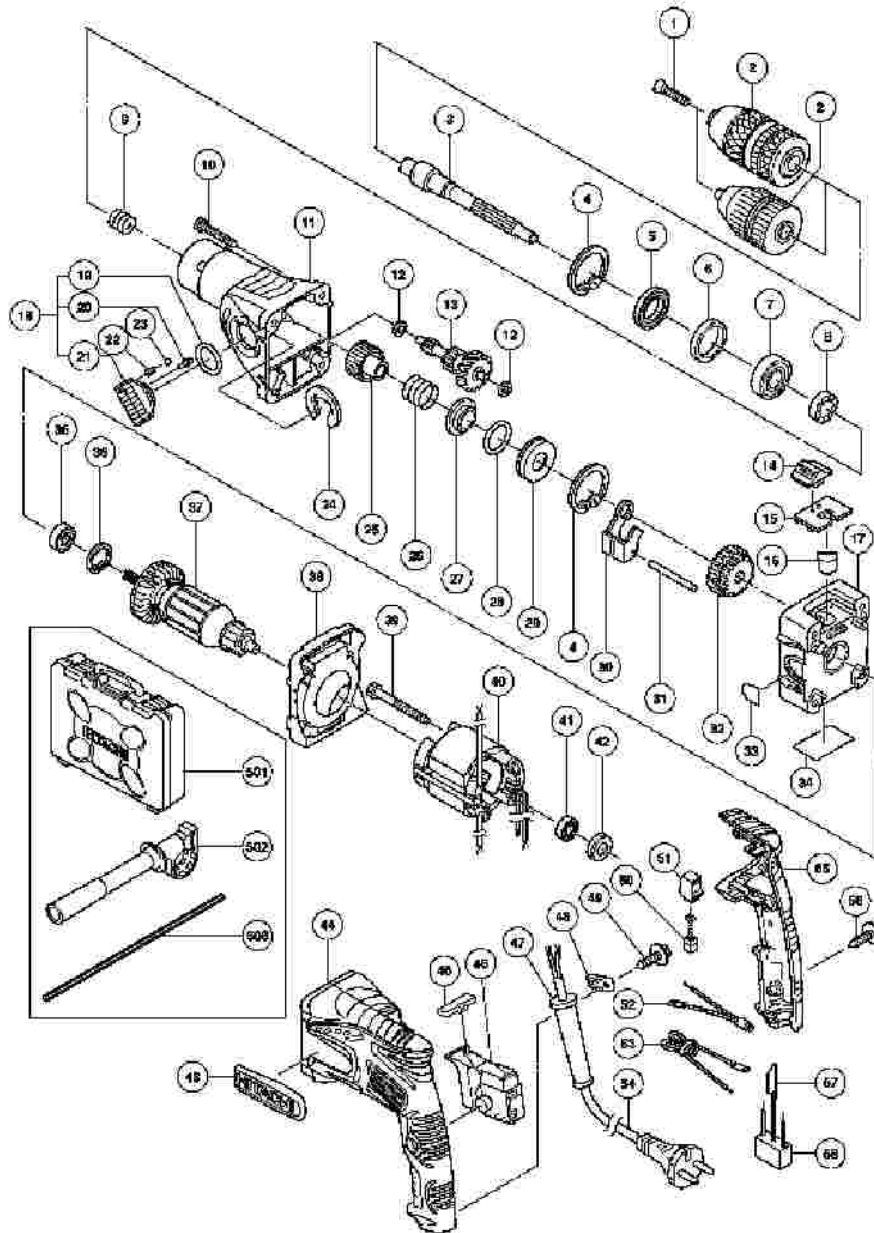
LIST NO. E109

## ELECTRIC TOOL PARTS LIST

■ MASONRY DRILL  
Model DM 20V

2005 · 12 · 15

(E1)



## DM20V

| Pos. Nr. | Art. Nr. | Beschreibung                             | Stueck | Kommentar       | Beschreibung                            |
|----------|----------|--|--------|-----------------|---|
| 1        | 995-344  | SENKKOPFSCHRAUBE (A) M6X25 LINKS         | 1      | EXCEPT FOR GBR  | FLAT HD. SCREW (A) (LEFT HAND) M6X25    |
| 2        | 319-546  | SCHNELLSPANNBOHRFUTTER 13 VLRE-N FDV20VB | 1      |                 | DRILL CHUCK 13VLRE-N (W/O CHUCK WRENCH) |
| 2        | 316-280  |  | 1      | FOR GBR         | DRILL CHUCK 13VLN (W/O CHUCK WRENCH)    |
| 3        | 325-319  |  | 1      |                 | SPINDLE                                 |
| 4        | 939-556  | SICHERUNGSRING D35 (INNEN) 10ST          | 2      |                 | RETAINING RING FOR D35 HOLE (10 PCS.)   |
| 5        | 971-745  | OLDICHTUNG (A) DH38YB1/H45SA             | 1      |                 | OIL SEAL (A)                            |
| 6        | 325-335  |  | 1      |                 | DISTANCE RIN                            |
| 7        | 620-2DD  | KUGELLAGER 6202 DD                       | 1      |                 | BALL BEARING 6202DDCMPS2I               |
| 8        | 325-330  |  | 1      |                 | RATCHET (A)                             |
| 9        | 984-101  | FEDER (A) DV20V1/DV24DV                  | 1      |                 | SPRING (A)                              |
| 10       | 325-336  |  | 4      |                 | TAPPING SCREW D5X55                     |
| 11       | 325-326  |  | 1      |                 | GEAR COVER                              |
| 12       | 322-852  | Unterlegscheibe (B) DV18V                | 2      |                 | WASHER (B)                              |
| 13       | 325-339  |  | 1      |                 | SECOND PINIO AND GEAR SET               |
| 13       | 325-340  |  | 1      | FOR SLIP CLUTCH | SECOND PINIO AND GEAR SET               |
| 14       | 325-323  |  | 1      |                 | CHANGE LEVE                             |
| 15       | 325-324  |  | 1      |                 | CHANGE COVER                            |
| 16       | 325-322  |  | 1      |                 | CHANGE SHAF                             |
| 17       | 325-320  |  | 1      |                 | INNER COVER                             |

|    |          |  |   |              |   |
|----|----------|--|---|--------------|---|
| 18 | 322-847  | Schiebehebel kpl DV18V                         | 1 | INCLUD.19-21 | SHIFT LEVER ASS'Y                           |
| 19 | 306-353  | O-RING (S-22) H30PV                            | 1 |              | O-RING (S-22)                               |
| 20 | 322-848  | Schiebestift DV18V                             | 1 |              | SHIFT PIN                                   |
| 21 |          |  | 1 |              | SHIFT LEVER                                 |
| 22 | 981-328  | FEDER (H)<br>DH15D/DH20DV/DV20V1 u a<br>DH20PB | 1 |              | SPRING (H)                                  |
| 23 | 319-535  | STAHLKUGEL D3 5 (10STK)                        | 1 |              | STEEL BALL<br>D3.5 (10 PCS.)                |
| 24 | 323-048  | Sicherungsring DV18V                           | 1 |              | RETAINING<br>RING (E-TYPE)<br>FOR D15 SHAF' |
| 25 | 325-331  |  | 1 |              | RATCHET (B)                                 |
| 26 | 325-332  |  | 1 |              | SPRING                                      |
| 27 | 325-333  |  | 1 |              | SLEEVE (A)                                  |
| 28 | 884-909  |  | 1 |              | O-RING                                      |
| 29 | 325-334  |  | 1 |              | SLEEVE (B)                                  |
| 30 | 322-849  | Schiebearm DV18V                               | 1 |              | SHIFT ARM                                   |
| 31 | 325-321  |  | 1 |              | PIN D5X68                                   |
| 32 | 325-327  |  | 1 |              | GEAR  |
| 33 |          |  | 1 |              | HITACHI LABEL                               |
| 34 |          |  | 1 |              | NAME PLATE                                  |
| 35 | 608-DDM  | KUGELLAGER 608DDM                              | 1 |              | BALL BEARING<br>608DDC2PS2L                 |
| 36 | 939-553  | SICHERUNGSRING D22 INNEN<br>(10ST)             | 1 |              | RETAINING<br>RING FOR D22<br>HOLE (10 PCS.) |
| 37 | 360-652C |  | 1 |              | ARMATURE<br>110V                            |
| 37 | 360-652E | Anker 230V DV20VB2                             | 1 |              | ARMATURE<br>230V                            |
| 38 | 325-325  |  | 1 |              | FAN GUIDE                                   |
| 39 | 961-672  | SECHSKANTSCHNEIDSCHRAUBE<br>D4X50              | 2 |              | HEX. HD.<br>TAPPING<br>SCREW D4X50          |

|    |          |                                      |   |   |   |
|----|----------|--------------------------------------|---|---|---|
| 40 | 340-650C |                                      | 1 |   | STATOR 110V                             |
| 40 | 340-650E |                                      | 1 |   | STATOR 230V                             |
| 41 | 698-T1X  | Kugellager 698T1XZZ1MC2E NS7L        | 1 |   | BALL BEARING<br>698T1XZZ1MC2<br>NS7L    |
| 42 | 309-929  | GUMMIBUCHSE G12SG                    | 1 |   | RUBBER<br>BUSHING                       |
| 43 | 325-338  |                                      | 1 |   | HITACHI PLAT                            |
| 44 | 324-553  | Gehäuse DH24PC3                      | 1 |   | HOUSING                                 |
| 45 | 322-853  | Druckknopf DV18V                     | 1 |   | PUSHING<br>BUTTON                       |
| 46 | 325-337  |                                      | 1 |   | SWITCH (1P<br>PILLAR TYPE)              |
| 47 | 953-327  | KABELKNICKSCHUTZ D8 8 DIV<br>TYPEN   | 1 |   | CORD ARMOR<br>D8.8                      |
| 48 | 937-631  | KABELKLEMME DIV TYPEN                | 1 |   | CORD CLIP                               |
| 49 | 984-750  | SCHNEIDSCHRAUBE D4X16 MIT<br>FLANSCH | 2 |   | TAPPING<br>SCREW<br>(W/FLANGE)<br>D4X16 |
| 50 | 999-041  | KOHLLENBURSTEN (PAAR)                | 2 |   | CARBON<br>BRUSH (1 PAIR)                |
| 51 | 955-203  | KOHLLENHALTER DIV TYPEN              | 2 |   | BRUSH HOLDE                             |
| 52 | 321-634  | Verbinderkabel D10VC2                | 1 |   | CHOKE COIL<br>(BLUE) 110V-<br>240V      |
| 52 | 322-519  | Drosselspule DV18V blau              | 1 | FOR GBR (110V)                                | CHOKE COIL<br>(BLUE) 110V               |
| 53 | 322-517  | Drosselspule DV18V                   | 1 |   | CHOKE COIL<br>(BROWN) 220V<br>240V      |
| 53 | 322-518  |                                      | 1 | FOR GBR (110V)                                | CHOKE COIL<br>(BROWN) 110V              |
| 54 | 500-234Z |                                      | 1 | (CORD ARMOR<br>D8.8)                          | CORD                                    |
| 54 | 500-247Z |                                      | 1 | "(CORD ARMOR<br>D8.8) FOR<br>FIN,DEN,SWE,NOR" | CORD                                    |
| 54 | 500-435Z |                                      | 1 | (CORD ARMOR<br>D8.8) FOR GBR<br>(230V)        | CORD                                    |

|     |          |  |   |                                  |                                       |
|-----|----------|--|---|----------------------------------|---------------------------------------|
| 54  | 500-461Z |  | 1 | (CORD ARMOR D8.8) FOR GBR (110V) | CORD                                  |
| 54  | 500-447Z | Anschlusskabel                           | 1 | (CORD ARMOR D8.8) FOR SUI        | CORD                                  |
| 55  | 324-554  | Handgriffabdeckung DH24PC3               | 1 |                                  | HANDLE COVER                          |
| 56  | 301-653  | SCHNEIDSCHRAUBE D4X20 MIT FLANSCH (SCHWA | 3 |                                  | TAPPING SCREW (W/FLANGE) D4X20 (BLACK |
| 57  | 992-635  | ERDKLEMME DW15Y/SV12V u a CL10SA         | 1 |                                  | EARTH TERMINAL                        |
| 58  | 994-273  | KONDENSATOR DIV TYPEN                    | 1 |                                  | NOISE SUPPRESSOR                      |
| 501 | 325-341  |  | 1 |                                  | CASE                                  |
| 502 | 323-050  | Seitenhandgriff DV18V                    | 1 |                                  | SIDE HANDLE                           |
| 503 | 303-709  | TIEFENANSCHLAG DH15DV/DH20DV u a DH20PB  | 1 |                                  | DEPTH GAUGE                           |
| 601 | 931-851  |  | 1 |                                  | DRILL BIT (B) D6.5X100                |
| 602 | 931-852  |  | 1 |                                  | DRILL BIT (B) D8.0X100                |
| 603 | 931-853  |  | 1 |                                  | DRILL BIT (B) D9.5X120                |
| 604 | 931-854  |  | 1 |                                  | DRILL BIT (B) D10.0X120               |
| 605 | 971-704  |  | 1 |                                  | DRILL BIT (B) D12.0X160               |
| 606 | 931-855  |  | 1 |                                  | DRILL BIT (B) D13.0X160               |
| 607 | 931-776  |  | 1 |                                  | DRILL BIT (B) D14.3X160               |
| 608 | 971-670  |  | 1 |                                  | DRILL BIT (B) D16.0X160               |
| 609 | 931-856  |  | 1 |                                  | DRILL BIT (B) D19.0X160               |