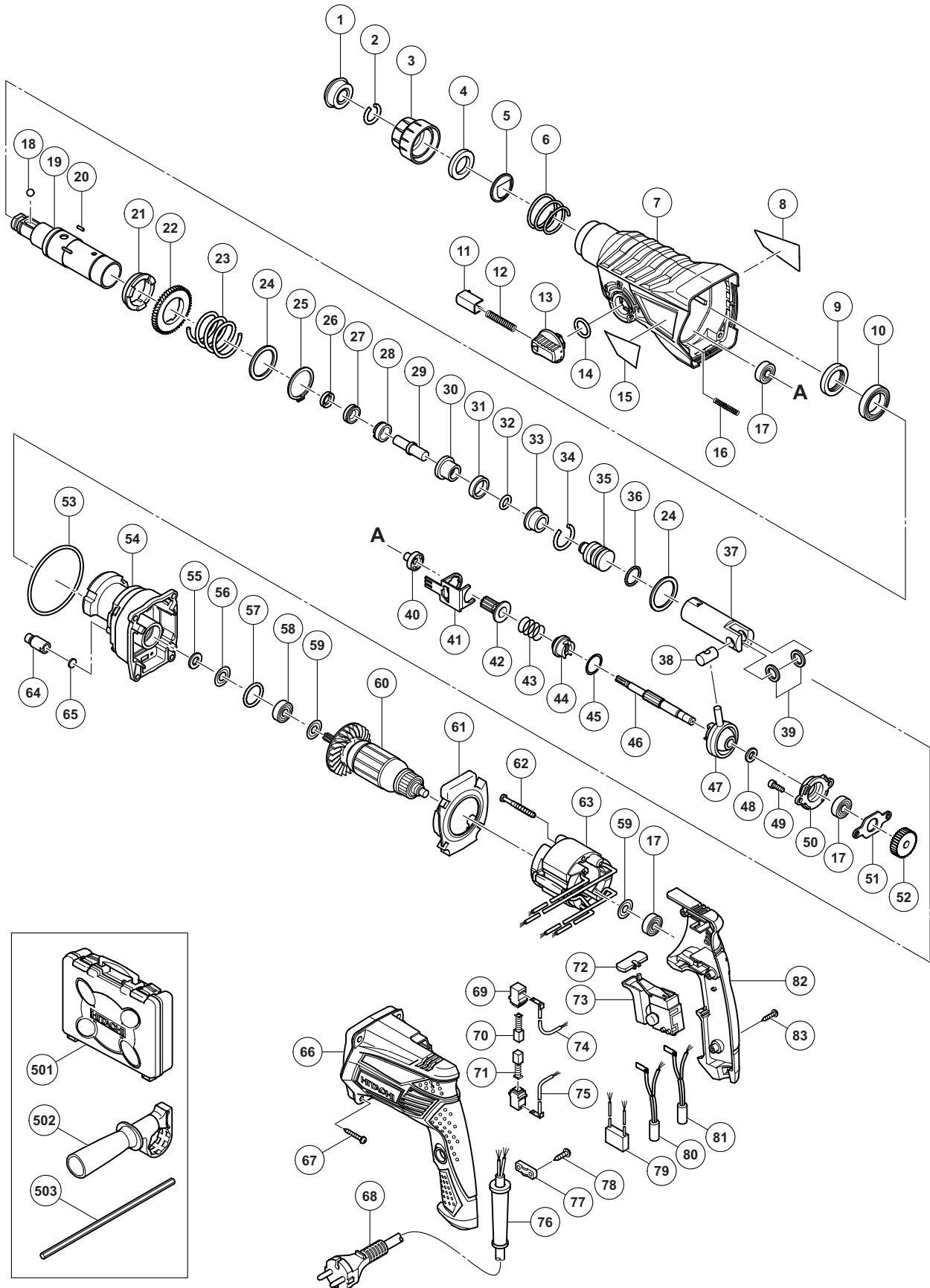


ELECTRIC TOOL PARTS LIST

■ ROTARY HAMMER Model DH 24PH

2013·5·22
(E1)



PARTS

DH 24PH

ITEM NO.	CODE NO.	DESCRIPTION	NO. USED	REMARKS
1	306-345	FRONT CAP	1	
2	306-340	STOPPER RING	1	
3	324-527	GRIP	1	
4	324-528	BALL HOLDER	1	
5	324-526	HOLDER PLATE	1	
6	322-812	HOLDER SPRING	1	
7	335-274	GEAR COVER	1	
8		NAME PLATE	1	
9	335-259	OIL SEAL	1	
10	335-260	BALL BEARING 6805DD	1	
11	322-789	PUSHING BUTTON	1	
12	317-223	PUSHING SPRING	1	
13	334-011	CHANGE LEVER	1	
14	878-885	O-RING (S-18)	1	
15		HITACHI LABEL	1	
16	335-800	SPRING (E)	1	
17	608-VVM	BALL BEARING 608VVC2PS2L	3	
18	335-300	STEEL BALL D7.0 (10 PCS.)	1	
19	335-261	CYLINDER	1	
20	335-264	PIN D2.5	4	
21	335-263	CYLINDER CLUTCH	1	
22	335-265	SECOND GEAR	1	
23	335-266	SPRING (A)	1	
24	301-679	WASHER (A)	2	
25	948-310	RETAINING RING FOR D30 SHAFT	1	
26	335-262	OIL SEAL (A)	1	
27	335-268	HAMMER HOLDER (C)	1	
28	335-795	SLEEVE (FW)	1	
29	335-269	SECOND HAMMER	1	
30	335-267	HAMMER HOLDER (A)	1	
31	322-805	DAMPER (A)	1	
32	322-808	O-RING (C)	1	
33	324-524	DAMPER HOLDER	1	
34	322-807	STOPPER RING	1	
35	335-246	STRIKER	1	
36	335-247	O-RING D17	1	
37	335-255	PISTON	1	
38	335-793	PISTON PIN	1	
39	335-794	PISTON WASHER	2	
40	335-275	PINION SLEEVE	1	
41	335-276	LOCK PLATE	1	
42	335-278	SECOND PINION	1	
43	323-182	CLUTCH SPRING	1	
44	335-254	CLUTCH	1	
45	331-315	WASHER	1	
46	335-277	SECOND SHAFT	1	
47	335-249	RECIPROCATING BEARING	1	
48	335-250	BEARING WASHER	1	
49	990-079	SEAL LOCK HEX. SOCKET HD. BOLT M5 X 16	2	
50	335-270	BEARING HOLDER	1	

PARTS

DH 24PH

ITEM NO.	CODE NO.	DESCRIPTION	NO. USED	REMARKS
51	335-271	BEARING COVER	1	
52	335-253	FIRST GEAR	1	
53	335-245	O-RING D72.2	1	
54	335-272	INNER COVER	1	
55	322-816	FELT PACKING	1	
56	322-818	PACKING WASHER	1	
57	876-796	O-RING (P-22)	1	
58	608-DDM	BALL BEARING 608DDC2PS2L	1	
59	982-631	WASHER (A)	2	
*	60	360-962C	ARMATURE 110 V	1
*	60	360-962U	ARMATURE ASS'Y 120 V	1 INCLUD. 17, 58, 59
*	60	360-962G	ARMATURE 127 V	1
*	60	360-962E	ARMATURE 220 V-230 V	1
*	60	360-962F	ARMATURE 240 V	1
	61	335-244	FAN GUIDE	1
	62	981-824	HEX. HD. TAPPING SCREW D4 X 45	2
*	63	340-866C	STATOR 110 V	1
*	63	340-866J	STATOR 110 V	1 FOR VEN
*	63	340-866D	STATOR 120 V	1
*	63	340-866H	STATOR 127 V	1
*	63	340-866E	STATOR 220 V-230 V	1
*	63	340-866K	STATOR 220 V-230 V	1 FOR THA, INA, HKG, IND, BRA (220 V), PAN (220 V)
*	63	340-866L	STATOR 240 V	1
*	63	340-866F	STATOR 240 V	1 FOR AUS
	64	334-008	AIR CAP	1
	65	324-543	FELT PACKING (A)	1
	66	335-660	HOUSING	1
	67	301-654	TAPPING SCREW (W/FLANGE) D5 X 35	4
*	68	500-247Z	CORD	1 (CORD ARMOR D8.8)
*	68	500-234Z	CORD	1 (CORD ARMOR D8.8) FOR PAN (220 V), INA, IND
*	68	500-240Z	CORD	1 (CORD ARMOR D8.8) FOR PAN (120 V), MEX
*	68	500-439Z	CORD	1 (CORD ARMOR D8.8) FOR AUS, NZL
*	68	500-423Z	CORD	1 (CORD ARMOR D8.8) FOR UAE, MAL
*	68	500-248Z	CORD	1 (CORD ARMOR D8.8) FOR SUI
*	68	500-487Z	CORD	1 (CORD ARMOR D8.8) FOR BRA
*	68	500-468Z	CORD	1 (CORD ARMOR D8.8) FOR THA
*	68	500-456Z	CORD	1 (CORD ARMOR D8.8) FOR CHN
*	68	500-435Z	CORD	1 (CORD ARMOR D8.8) FOR HKG
*	68	323-974	CORD	1 (CORD ARMOR D10.1) FOR TPE
*	68	500-491Z	CORD	1 (CORD ARMOR D8.8) FOR KOR
*	68	930-051	CORD	1 (CORD ARMOR D10.1) FOR VEN
	69	955-203	BRUSH HOLDER	2
	70	999-041	CARBON BRUSH (1 PAIR)	1
	71	999-072	CARBON BRUSH (AUTO STOP TYPE) (1 PAIR)	1
	72	322-853	PUSHING BUTTON	1
*	73	335-796	SWITCH	1
*	73	335-256	SWITCH (1P PILLER TYPE)	1 FOR TPE, MEX, PAN (120 V), BRA (127 V), VEN

OPTIONAL ACCESSORIES

DH 24PH

ITEM NO.	CODE NO.	DESCRIPTION	NO. USED	REMARKS
601	306-885	DUST COLLECTOR (B) ASS'Y	1	INCLUD. 602, 610
602	986-802	DUST COLLECTOR ASS'Y	1	INCLUD. 603-609
603	986-803	DUST COVER	1	
604	986-804	SEAL COVER	1	
605	948-310	RETAINING RING FOR D30 SHAFT	1	
606	958-063	WASHER	1	
607	959-150	STEEL BALL D6.35 (10 PCS.)	19	
608	986-805	OUTER RACE	1	
609	986-806	SOCKET	1	
610	306-910	SOCKET ADAPTER (B)	1	
611	971-787	DUST CUP	1	
612	931-844	STOPPER	1	
613	321-814	DRILL CHUCK 13VLRB-D	1	INCLUD. 614
614	331-966	FLAT HD. SCREW (LEFT HAND) M6 X 20	1	
615	321-813	DRILL CHUCK 13VLD-D	1	
616	971-511Z	+ DRIVER BIT (A) NO. 2 25L	1	
617	971-512Z	+ DRIVER BIT (A) NO. 3 25L	1	
618	944-477	COTTER	1	
619	982-684	CENTER PIN (A) 109L FOR CORE BIT D32-38	1	
620	982-685	CENTER PIN (B) 104L FOR CORE BIT D45-90	1	
621	982-672	CORE BIT (A) 25 MM	1	
622	982-673	CORE BIT (A) 29 MM	1	
623	982-674	CORE BIT (A) 32 MM	1	INCLUD. 624
624	982-686	GUIDE PLATE (FOR CORE BIT 32 MM)	1	
625	982-675	CORE BIT (A) 35 MM	1	INCLUD. 626
626	982-687	GUIDE PLATE (FOR CORE BIT 35 MM)	1	
627	982-676	CORE BIT (A) 38 MM	1	INCLUD. 628
628	982-688	GUIDE PLATE (FOR CORE BIT 38 MM)	1	
629	982-677	CORE BIT (B) 45 MM	1	INCLUD. 630
630	982-689	GUIDE PLATE (FOR CORE BIT 45 MM)	1	
631	982-678	CORE BIT (B) 50 MM	1	INCLUD. 632
632	982-690	GUIDE PLATE (FOR CORE BIT 50 MM)	1	
633	971-794	ANCHOR SETTING ADAPTER A W1/4" (MANUAL)	1	
634	971-795	ANCHOR SETTING ADAPTER A W5/16" (MANUAL)	1	
635	971-796	ANCHOR SETTING ADAPTER A W3/8" (MANUAL)	1	
636	971-797	ANCHOR SETTING ADAPTER A W1/2" (MANUAL)	1	
637	971-798	ANCHOR SETTING ADAPTER A W5/8" (MANUAL)	1	
638	971-799	ANCHOR SETTING ADAPTER B W1/4" (MANUAL)	1	
639	971-800	ANCHOR SETTING ADAPTER B W5/16" (MANUAL)	1	
640	971-801	ANCHOR SETTING ADAPTER B W3/8" (MANUAL)	1	
641	971-802	ANCHOR SETTING ADAPTER B W1/2" (MANUAL)	1	
642	971-803	ANCHOR SETTING ADAPTER B W5/8" (MANUAL)	1	
643	944-460	TAPER SHANK DRILL BIT D11 X 100	1	
644	944-461	TAPER SHANK DRILL BIT D12.3 X 110	1	
645	993-038	TAPER SHANK DRILL BIT D12.7 X 110	1	
646	944-462	TAPER SHANK DRILL BIT D14.3 X 110	1	
647	944-500	TAPER SHANK DRILL BIT D14.5 X 110	1	
648	944-463	TAPER SHANK DRILL BIT D17.5 X 120	1	
649	944-464	TAPER SHANK DRILL BIT D21.5 X 140	1	
650	320-859	SYRINGE (BLOW-OUT BULB TYPE)	1	

