

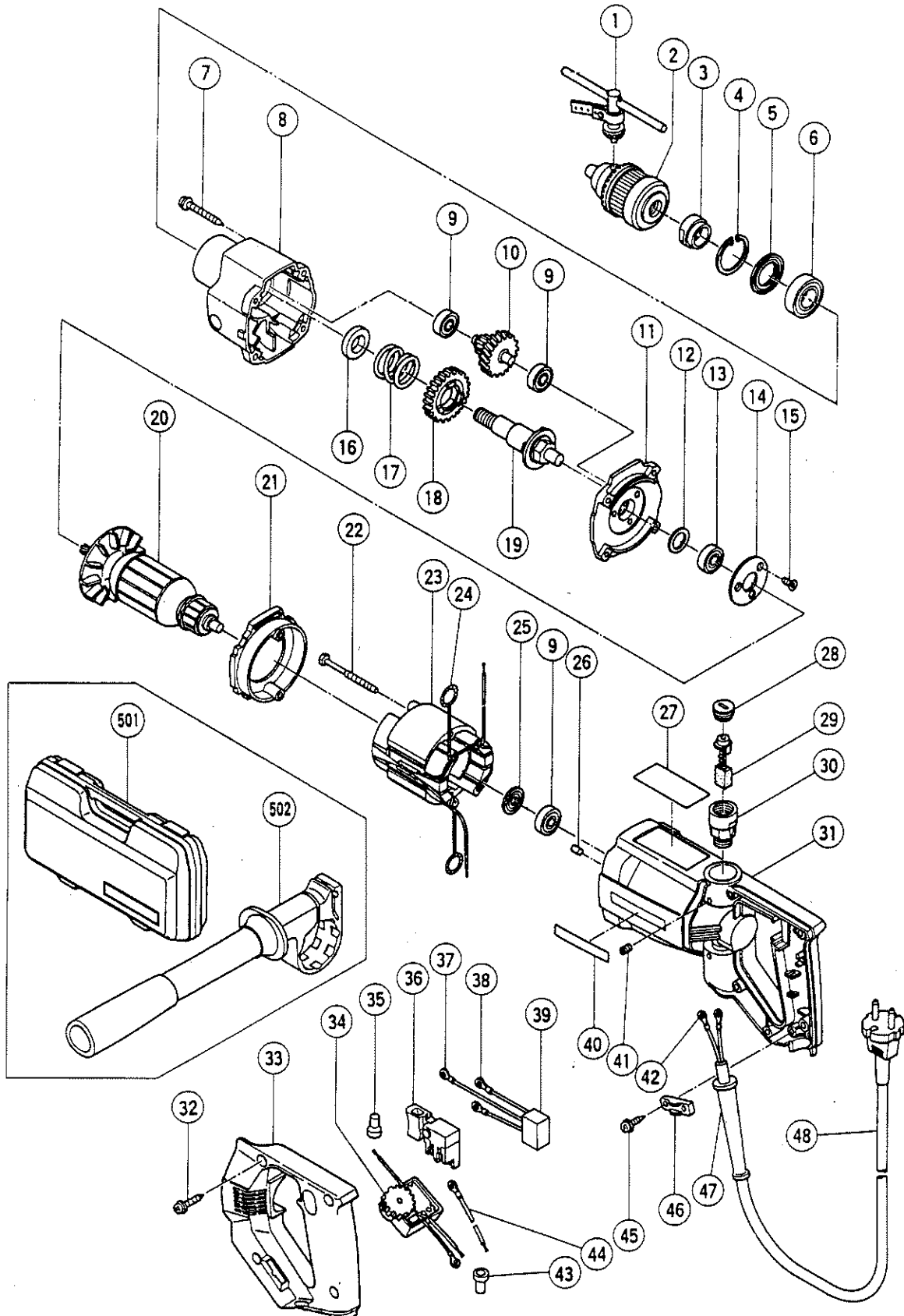
HITACHI

LIST NO. 0183

ELECTRIC TOOL PARTS LIST

■ DIAMOND CORE DRILL
Model DC 120V

1994 · 4 · 10
(E1)



PARTS

DC 120V

ITEM NO.	CODE NO.	DESCRIPTION	NO. USED	REMARKS	
1	930-515	CHUCK WRENCH 10G	1		
2	309-131	DRILL CHUCK 13WLR	1	INCLUD.1	
3	309-125	NUT	1		
4	939-556	RETAINING RING FOR D35 HOLE (10 PCS.)	1		
5	981-572	DUST SEAL	1		
6	600-3VV	BALL BEARING 6003VVCMP2S	1		
7	986-140	TAPPING SCREW (W/SP. WASHER) D5X35	4		
8	309-124	GEAR COVER	1		
9	608-VVM	BALL BEARING 608VVMC2EPS2L	3		
10	309-129	SECOND PINION	1		
11	309-130	INNER COVER ASS'Y	1	INCLUD.9,12 - 15	
12	984-357	WASHER	1		
13	609-VVM	BALL BEARING 609VVMC2PS2S	1		
14	309-132	BEARING HOLDER	1		
15	981-588	SEAL LOCK HEX.SOCKET FLAT HD.BOLT M5X16	3		
16	309-128	SLEEVE	1		
17	309-187	SPRING	1		
18	309-127	FINAL GEAR	1		
19	309-126	SPINDLE	1		
*	20	360-342C	ARMATURE 110V	1	
*	20	360-342E	ARMATURE 230V	1	
*	20	360-342F	ARMATURE 240V	1	
	21	981-582	FAN GUIDE	1	
	22	981-501	HEX. HD. TAPPING SCREW D5X60	2	
*	23	340-302C	STATOR ASS'Y 110V	1	INCLUD.24
*	23	340-302E	STATOR ASS'Y 230V	1	INCLUD.24
*	23	340-302F	STATOR ASS'Y 240V	1	INCLUD.24
	24	930-703	BRUSH TERMINAL	2	
	25	956-387	DUST SEAL (A)	1	
	26	946-362	BEARING LOCK	1	
*	27		NAME PLATE	1	
	28	961-781	BRUSH CAP	2	
	29	999-043	CARBON BRUSH (1 PAIR)	2	
	30	981-586	BRUSH HOLDER	2	
	31	983-552	HOUSING ASS'Y	1	INCLUD.30,41
	32	301-653	TAPPING SCREW (W/FLANGE) D4X20 (BLACK)	5	
	33	309-123	HANDLE COVER	1	
*	34	983-582	CONTROLLER CIRCUIT	1	
*	34	983-577	CONTROLLER CIRCUIT	1	FOR GBR (110V)
	35	959-140	CONNECTOR 50091 (10 PCS.)	1	
	36	302-470	SWITCH (C) (1P SCREW TYPE) W/O LOCK	1	
	37	938-108	TERMINAL	1	
	38	980-083	TERMINAL	2	
	39	994-273	NOISE SUPPRESSOR	1	
	40		HITACHI LABEL	1	
	41	985-114	HEX. SOCKET SET SCREW M4X6	2	
	42	980-083	TERMINAL	2	
	43	959-141	CONNECTOR 50092 (10 PCS.)	1	
	44	309-185	INTERNAL WIRE	1	
	45	984-750	TAPPING SCREW (W/FLANGE) D4X16	2	
	46	960-266	CORD CLIP	1	

*: ALTERNATIVE PARTS

4 - 94

