

HITACHI

LIST NO. 0189

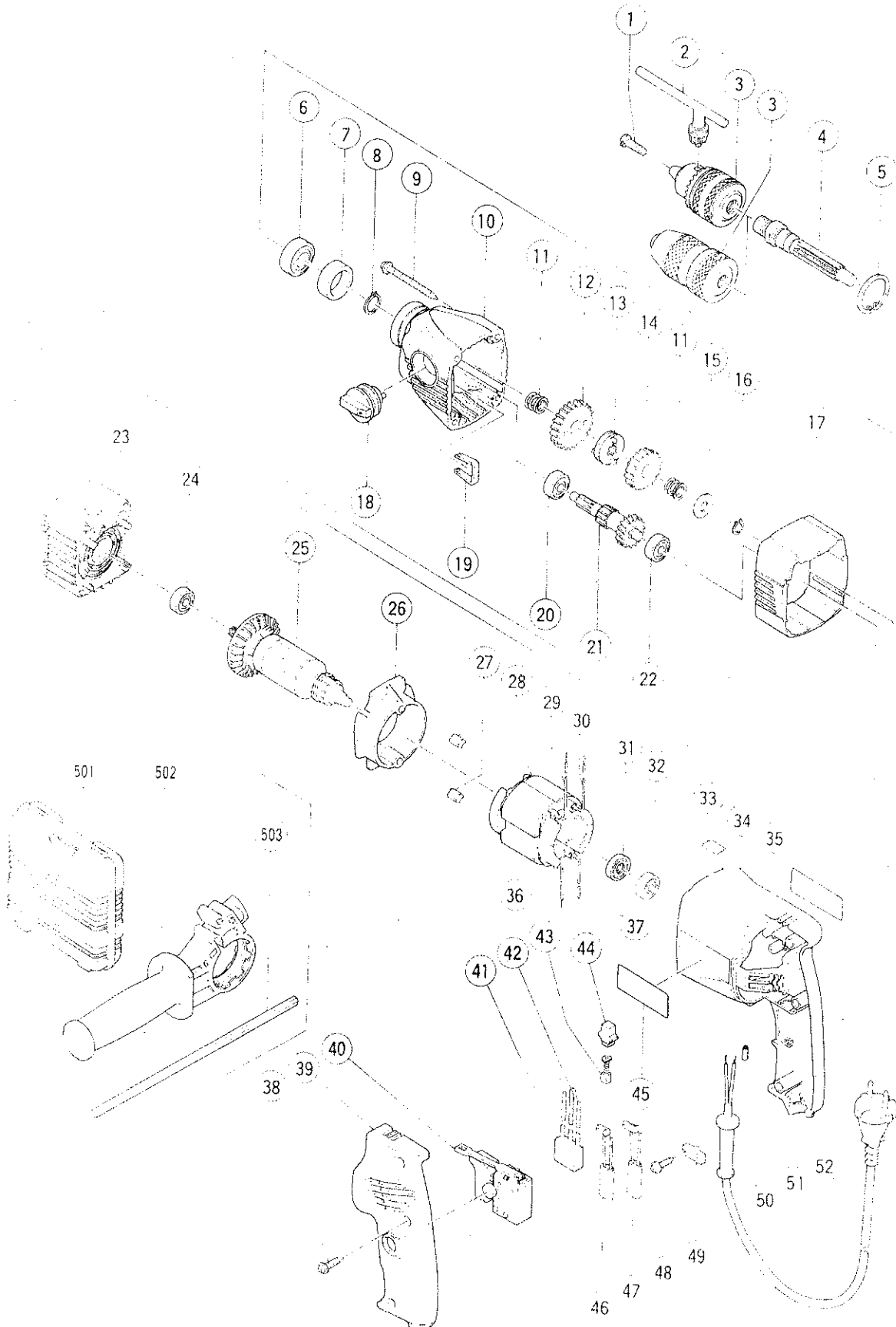
ELECTRIC TOOL PARTS LIST

■ DRILL

1998 · 6 · 30

Model D 13VB2

(E1)



PARTS

D 13VB2

ITEM NO.	CODE NO.	DESCRIPTION	NO. USED	REMARKS
1	995-344	FLAT HD. SCREW (A) (LEFT HAND) M6X25	1	
2	930-515	CHUCK WRENCH 10G	1	
3	950-275	DRILL CHUCK 13VLR	1	INCLUD.2
3	316-280	DRILL CHUCK 13VLN (W/O CHUCK WRENCH)	1	
4	316-308	SPINDLE	1	
5	948-001	RETAINING RING FOR D32 HOLE	1	
6	600-2DD	BALL BEARING 6002DDUCMPS2S	1	
7	316-307	DISTANCE RING	1	
8	939-544	RETAINING RING FOR D15 SHAFT (10 PCS.)	1	
9	305-701	TAPPING SCREW (W/FLANGE) D5X60	4	
10	316-272	GEAR COVER	1	
11	994-389	SPRING	2	
12	994-383	LOW SPEED GEAR	1	
13	316-297	CLUTCH DISK	1	
14	994-384	HIGH SPEED GEAR	1	
15	981-077	WASHER	1	
16	992-805	RETAINING RING FOR D9 SHAFT	1	
17	316-306	OUTER COVER	1	
18	316-276	SHIFT LEVER	1	
19	994-396	SHIFT SPRING	1	
20	627-VVM	BALL BEARING 627VVMC2EPS2S	1	
21	316-278	SECOND PINION	1	
22	608-VVM	BALL BEARING 608VVMC2EPS2L	1	
23	316-305	INNER COVER ASS'Y	1	INCLUD.22,24
24	608-DDM	BALL BEARING 608DDMC2EPS2S	1	
25	360-474U	ARMATURE ASS'Y 110V-115V	1	INCLUD.24,31,32
25	360-474E	ARMATURE 220V-230V	1	
26	314-879	FAN GUIDE ASS'Y	1	INCLUD.27
27	994-343	RUBBER BUSHING	2	
28	340-421C	STATOR 110V-115V	1	
28	340-421E	STATOR 220V-230V	1	
29	314-914	INTERNAL WIRE (A) BLACK	1	
30	314-913	INTERNAL WIRE (A) GRAY	1	FOR GBR (110V),USA
31	316-785	DUST SEAL	1	
32	608-VVM	BALL BEARING 608VVMC2EPS2L	1	
33		LABEL (CE MARK)	1	
34	314-889	HOUSING	1	
35		NAME PLATE	1	
36	314-912	INTERNAL WIRE (A) RED	1	
37	314-915	INTERNAL WIRE (A) WHITE	1	FOR GBR (110V),USA
38	301-653	TAPPING SCREW (W/FLANGE) D4X20 (BLACK)	3	
39	314-891	HANDLE COVER	1	
40	314-916	SPEED CONTROL SWITCH (2P) 100V-115V	1	
40	314-921	SPEED CONTROL SWITCH (2P) 220V-240V	1	
41	994-273	NOISE SUPPRESSOR	1	
42	302-488	EARTH TERMINAL	1	
43	999-041	CARBON BRUSH (1 PAIR)	2	
44	955-203	BRUSH HOLDER	2	
45		HITACHI LABEL	1	
46	314-922	CHOKE COIL (A) BLUE	1	
46	314-917	INTERNAL WIRE (B) BLUE	1	FOR USA

* : ALTERNATIVE PARTS

6 - 98

