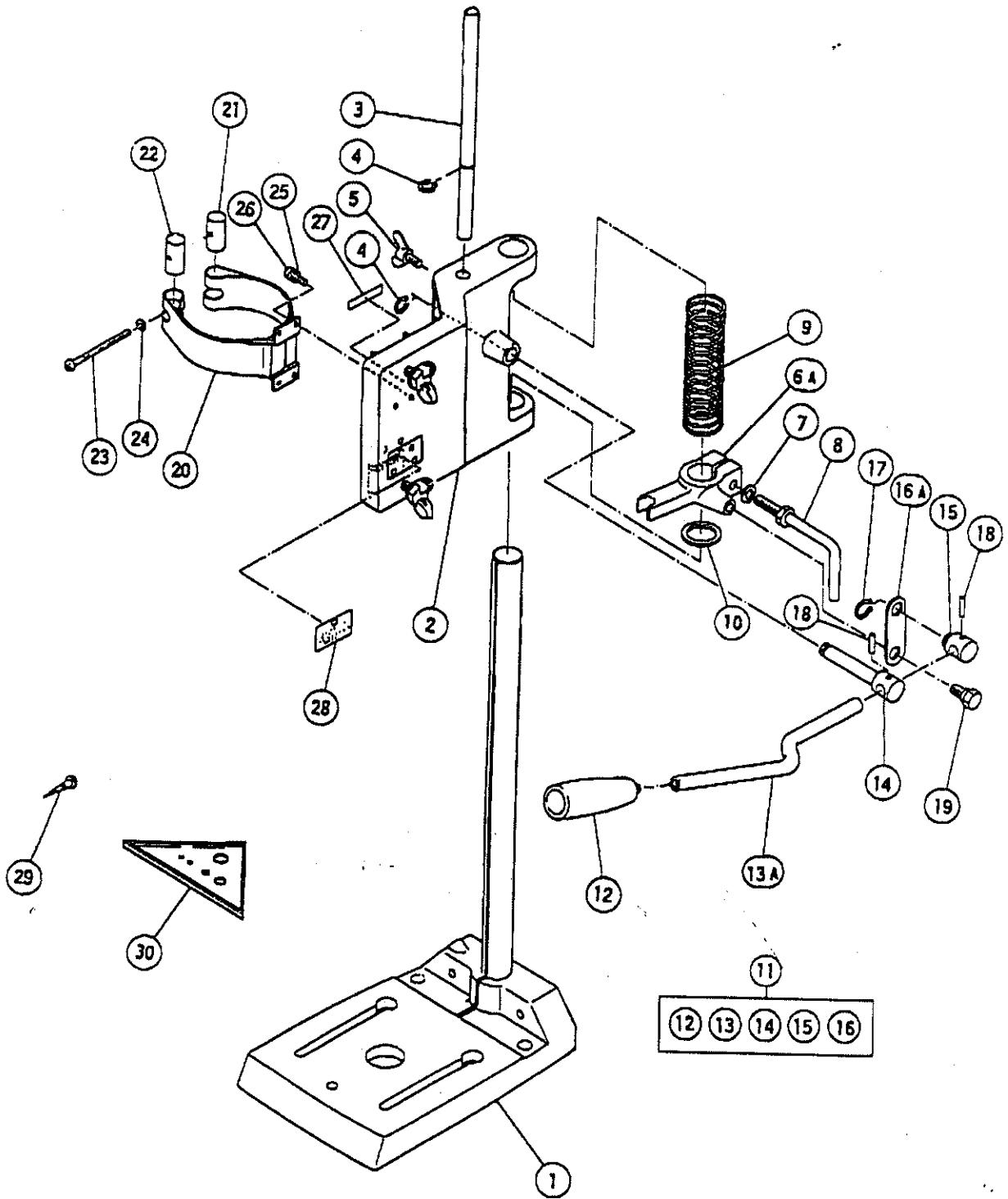


## ELECTRIC TOOL PARTS LIST

■ DRILL STAND  
Model D13-DS

1994.8.4  
(E4)



**PARTS**

D13-DS

ITEM NO.	CODE NO.	DESCRIPTION	NO. USED	REMARKS
1	954-200	BASE	1	
2	964-580	HEAD	1	
3	954-282	STOP BAR	1	
4	939-542	RETAINING RING FOR D12 SHAFT (10 PCS.)	2	
5	949-401	WING BOLT M6X12 (10 PCS.)	1	
6A	954-283	STOPPER	1	
7	949-426	WASHER M8 (10 PCS.)	1	
8	941-914	CLAMP SCREW	1	
9	941-908	SPRING	1	
10	941-906	PACKING	1	
11	964-581	HANDLE ASSY	1	INCLUD.12 - 16A
12	941-557	SIDE HANDLE	1	
13A	964-582	BAR	1	
14	954-266	SHAFT	1	
15	954-267	JOINT	1	
16A	954-268	ARM	1	
17	939-542	RETAINING RING FOR D12 SHAFT (10 PCS.)	1	
18	949-498	ROLL PIN D4X18 (10 PCS.)	2	
19	954-269	BOLT	1	
20	964-583	BAND ASSY	1	INCLUD.21 - 24
21	964-586	NUT	1	
22	964-587	FREE NUT	1	
23	964-588	MACHINE SCREW M5X7.5	1	
24	949-454	SPRING WASHER M5 (10 PCS.)	1	
25	949-454	SPRING WASHER M5 (10 PCS.)	4	
26	949-239	MACHINE SCREW M5X18 (10 PCS.)	4	
27		NAME PLATE (A)	1	
28	964-584	NAME PLATE	1	
29	949-544	SCREW M4.8X32 (10 PCS.) FOR WOOD	3	
30	964-585	SCALE	1	

**OPTIONAL ACCESSORIES**

ITEM NO.	CODE NO.	DESCRIPTION	NO. USED	REMARKS
601	964-589	BAND (B)	1	

\* : ALTERNATIVE PARTS