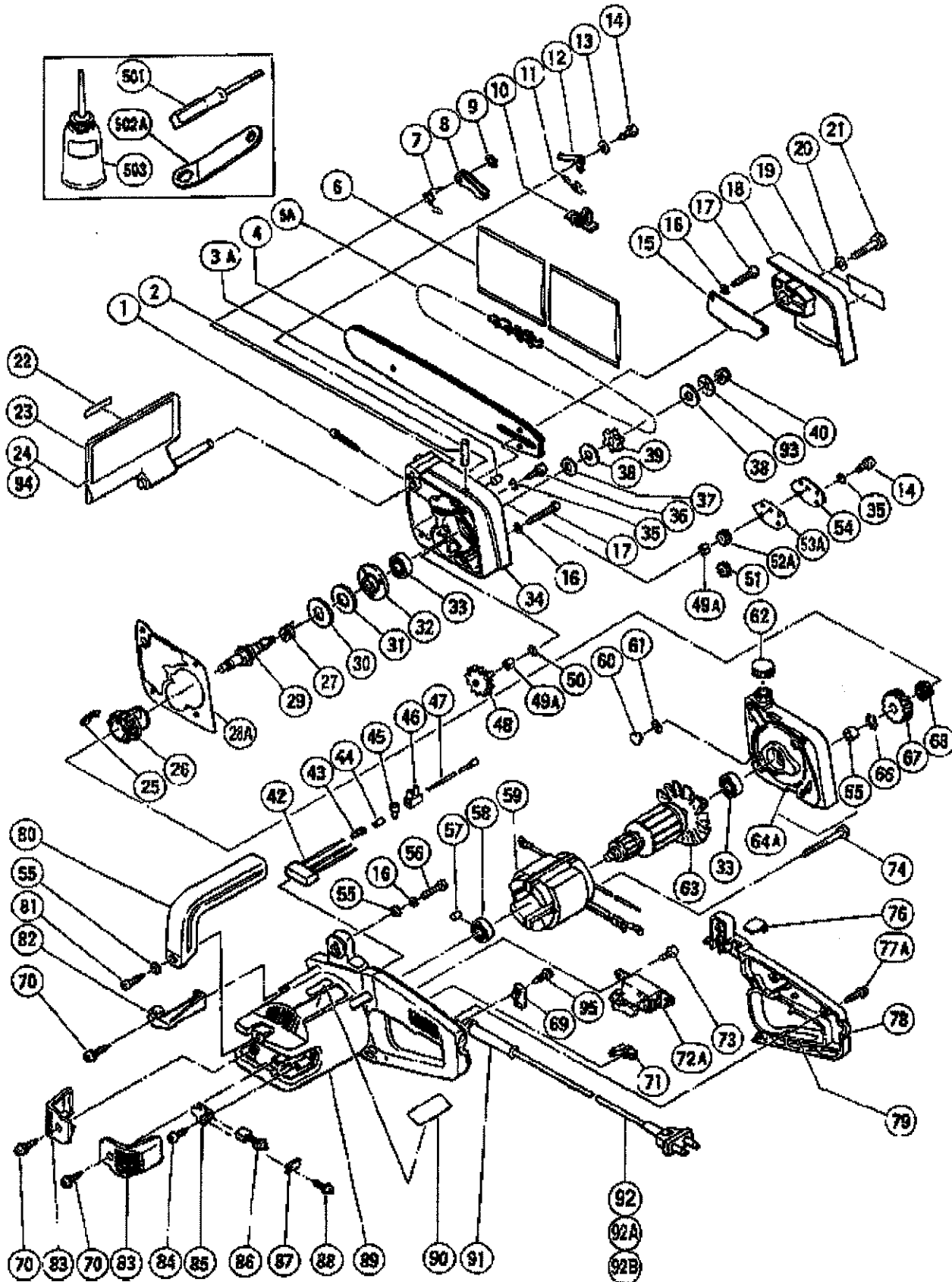


ELECTRIC TOOL PARTS LIST

■ CHAIN SAW
Model CS 35B

2003 · 6 · 1

(E4-3)



TEILE

CS35B

| Pos. Nr. | Art.Nr. | BESCHREIBUNG | Nr. STUE | KOMMENTAR |
|-------------|----------|--|-------------|--|
| 1 | 960-260 | EINSTELLSCHRAUBE M5X40 CS35B | 1 | |
| 2 | 985-536 | BREMSSTIFT CS35B | 1 | |
| 3A | 960-290 | EINSTELLSTIFT KOMPL.D8X15 CS35B (ALTE AR | 1 | INCLUD.1 |
| 4 | 960-304Z | | 1 | |
| 5A | 317-266 | | 1 | |
| * 6 | 985-577 | | 1 | FOR HOL,DEN,FIN,GBR,FRG,FRA,SWE,AUT,NOR, |
| * 7 | | | | SUI,NZL |
| 7 | 985-531 | FEDER (B) CS35B | 1 | |
| 8 | 985-530 | BREMSARM CS35B | 1 | |
| 9 | 939-540 | SICHERUNGSRING D10 (10ST) | 1 | |
| 10 | 985-532 | RUCKSTELLER CS35B | 1 | |
| 11 | 985-534 | FEDER (A) CS35B | 1 | |
| 12 | 985-533 | HAKENARM CS35B | 1 | |
| 13 | 949-429 | UNTERLEGSCHIEBE M4 (10ST) | 1 | |
| 14 | 949-216 | +KOPFSCHRAUBE M4X10 (10ST) | 5 | |
| 15 | 985-535 | DECKBLECH CS35B | 1 | |
| 16 | 949-454 | FEDERSCHIEBE M5 (10ST) | 5 | |
| 17 | 957-725 | SCHNEIDSCHRAUBE D5X70 | 4 | |
| 18 | 985-570 | KETTENABDECKUNG CS35B | 1 | INCLUD.19 |
| 19 | 985-571 | "AUFKLEBER ""HITACHI"" CS35B" | 1 | |
| 20 | 949-457 | FEDERSCHIEBE M8 (10ST) | 1 | |
| 21 | 949-630 | BOLZEN M8X40 (10ST) | 1 | |
| * 22 | | | 1 | FOR FRG |
| 23 | 985-528 | HANDSCHUTZ CS35B | 1 | |
| 25 | 985-550 | HAKENFEDER CS35B | 1 | |
| 26 | 985-524 | BREMSKRAGEN CS35B | 1 | |
| 27 | 985-526 | BREMSFEDER CS35B | 1 | |
| 28A | 985-541 | OILDICHTUNG CS35B | 1 | |
| 29 | 985-522 | SPINDEL CS35B | 1 | |
| 30 | 985-546 | "SCHEIBE (PLASTIK T0,5) CS35B" | 1 | |
| 31 | 985-549 | "SCHEIBE (STAHL T0,2) CS35B" | 1 | |
| 32 | 985-523 | LAGERDECKEL CS35B | 1 | |
| 33 | 620-1VV | KUGELLAGER 6201 VV | 2 | |
| 34 | 985-520 | GETRIEBEGEHAUSE CS35B | 1 | |
| 35 | 949-453 | FEDERSCHIEBE M4 (10ST) | 7 | |
| 36 | 949-217 | +KOPFSCHRAUBE M4X12 (10ST) | 3 | |
| 37 | 961-436 | UNTERLEGSCHIEBE (B) CS35B | 1 | |
| 38 | 957-699 | SEITENPLATTE CS35B | 2 | |

*:ALTERNATIVTEILE

| Pos. Nr. | Art.Nr. | BESCHREIBUNG | Nr. STUE. | KOMMENTAR |
|-------------|---------|--------------------------------|--------------|---|
| 39 | 957-700 | KETTENRAD CS35B | 1 | |
| 40 | 960-256 | U-MUTTER LINKSGEWINDE M8 CM12Y | 1 | |
| * | 42 | 994-273 | 1 | KONDENSATOR DIV.TYPEN |
| * | 43 | 961-419Z | 1 | FOR NZL,GBR,ITA,FRG,FRA,HOL,DEN,SWE,AUT, NOR,FIN |
| * | 45 | 959-141 | 2 | FOR NZL,GBR,ITA,FRG,FRA,HOL,DEN,SWE,AUT, NOR,SUI,FIN |
| * | 47 | 960-281Z | 2 | FOR NZL,GBR,ITA,FRG,FRA,HOL,DEN,SWE,AUT, NOR,SUI,FIN |
| | 48 | 985-537 | 1 | PUMPZAHNRAD CS35B |
| | 49A | 994-677 | 2 | BUCHSE D4X6 CS35B/D10DF/DF2 |
| | 50 | 874-436 | 1 | O-RING (P-4) CS35B/NR83A |
| | 51 | 985-547 | 1 | ERSTES ZAHNRAD CS35B (I.D.4MM) |
| | 52A | 985-547 | 1 | ERSTES ZAHNRAD CS35B (I.D.4MM) |
| | 53A | 985-539 | 1 | KAPPENDICHTUNG CS35B |
| | 54 | 985-540 | 1 | KAPPENPLATTE CS35B |
| | 55 | 949-424 | 2 | UNTERLEGSCHLEIBE M5 (10ST) |
| | 56 | 949-247 | 1 | +KOPFSCHRAUBE M5X35 (10ST) |
| | 57 | 931-701 | 1 | LAGERVERRIEGELUNG (DIV.TYPEN) |
| | 58 | 600-0VV | 1 | KUGELLAGER 6000 VV |
| * | 59 | 960-270K | 1 | FOR ITA,FRG,FRA,HOL,DEN,SWE,AUT,NOR,SUI, GBR,FIN,NZL |
| * | 60 | 985-542 | 1 | OLANZEIGE CS35B |
| | 61 | 875-638 | 1 | O-RING (S-12) DV20V1/CS35B/u.a. VB16Y |
| | 62 | 957-709 | 1 | OLTANKKAPPE CS35B |
| * | 63 | 985-548E | 1 | ANKER 220V-230V CS35B |
| | 64A | 985-578 | 1 | ZWISCHENDECKEL KOMPL.CS35B (ALTE ART.NR. INCLUD.65 |
| | 65 | 982-027 | 1 | NADELLAGER (HK1010) C8U/CS35B |
| | 66 | 939-542 | 1 | SICHERUNGSRING D12 (10ST) |
| | 67 | 985-527 | 1 | ZAHNRAD CS35B |
| | 68 | 985-551 | 1 | KUPPLUNGSFEDER (A) CS35B |
| | 69 | 960-266 | 1 | KABELKLEMME DIV.TYPEN |
| | 70 | 930-446 | 3 | SCHNEIDSCHRAUBE D4X16 M.U-SCHEIBE |
| | 71 | 960-252 | 1 | |
| | 72A | 306-977 | 1 | SCHALTER (A) CR17Y/CS35B |
| | 73 | 954-017 | 1 | SCHNEIDSCHRAUBE D4X12 |
| | 74 | 960-251 | 2 | SCHNEIDSCHRAUBE D5X65 (DIV.TYPEN) |
| | 76 | 985-545 | 1 | GUMMIKAPPE CS35B |

TEILE

CS35B

| Pos. Nr. | Art.Nr. | BESCHREIBUNG | Nr. STUE | KOMMENTAR |
|-------------|----------|--|-------------|--|
| 77A | 306-999 | SCHNEIDSCHRAUBE D4X25 M.FLANSCH | 5 | |
| 78 | 960-265 | HANDGRIFFDECKEL CS35B | 1 | |
| 80 | 960-273 | SEITENGRIF CS35B | 1 | |
| 81 | 953-040 | SCHNEIDSCHRAUBE M5X20 SB110/CS35B | 1 | |
| 82 | 985-529 | HALTERUNG CS35B | 1 | |
| 83 | 960-259 | GEHAUSEABDECKUNG CS35B | 2 | |
| 84 | 958-715 | SCHNEIDSCHRAUBE D4X10 | 2 | |
| 85 | 957-686 | | 2 | |
| 86 | 999-038 | KOHLBURSTEN (PAAR) | 2 | |
| 87 | 957-710 | Burstenabdeckung CS35B | 2 | |
| 88 | 960-258 | +KOPFSCHRAUBE M4X8 (M.U-SCHEIBE) CS35B | 2 | |
| 89 | 960-284Z | GEHAUSE CS35B | 1 | INCLUD.84,85 |
| 90 | | | 1 | |
| 91 | 938-051 | KABELKNICKSCHUTZ D10.1 DIV.TYPEN | 1 | |
| 92 | 500-247Z | ANSCHLUSSKABEL MIT STECKER | 1 | (CORD ARMOR D10.1) FOR ITA,FRG,FRA,HOL, DEN,FIN,SWE,AUT,NOR |
| 93 | 985-556 | TELLERFEDER CS35B | 1 | |
| 94 | | | 1 | FOR GBR,FRG,FRA,HOL,AUT,SUI |
| 95 | 984-750 | SCHNEIDSCHRAUBE D4X16 MIT FLANSCH | 2 | |

STANDARDZUBEHÖR

| Pos. Nr. | Art.Nr. | BESCHREIBUNG | Nr. STUE | KOMMENTAR |
|-------------|---------|--|-------------|-----------|
| 501 | 945-882 | SCHRAUBENDREHER NR.2 CS35B/P50 | 1 | |
| 502A | 957-683 | RINGSCHLUSSEL (10/13) CS35B (ALTE ATR.NR | 1 | |
| 601 | 957-685 | TIEFENLEHRE CS35B | 1 | |
| 602 | 957-680 | KETTENSAGEOL (1LTR.) CS35B | 1 | |

*:ALTERNATIVTEILE