

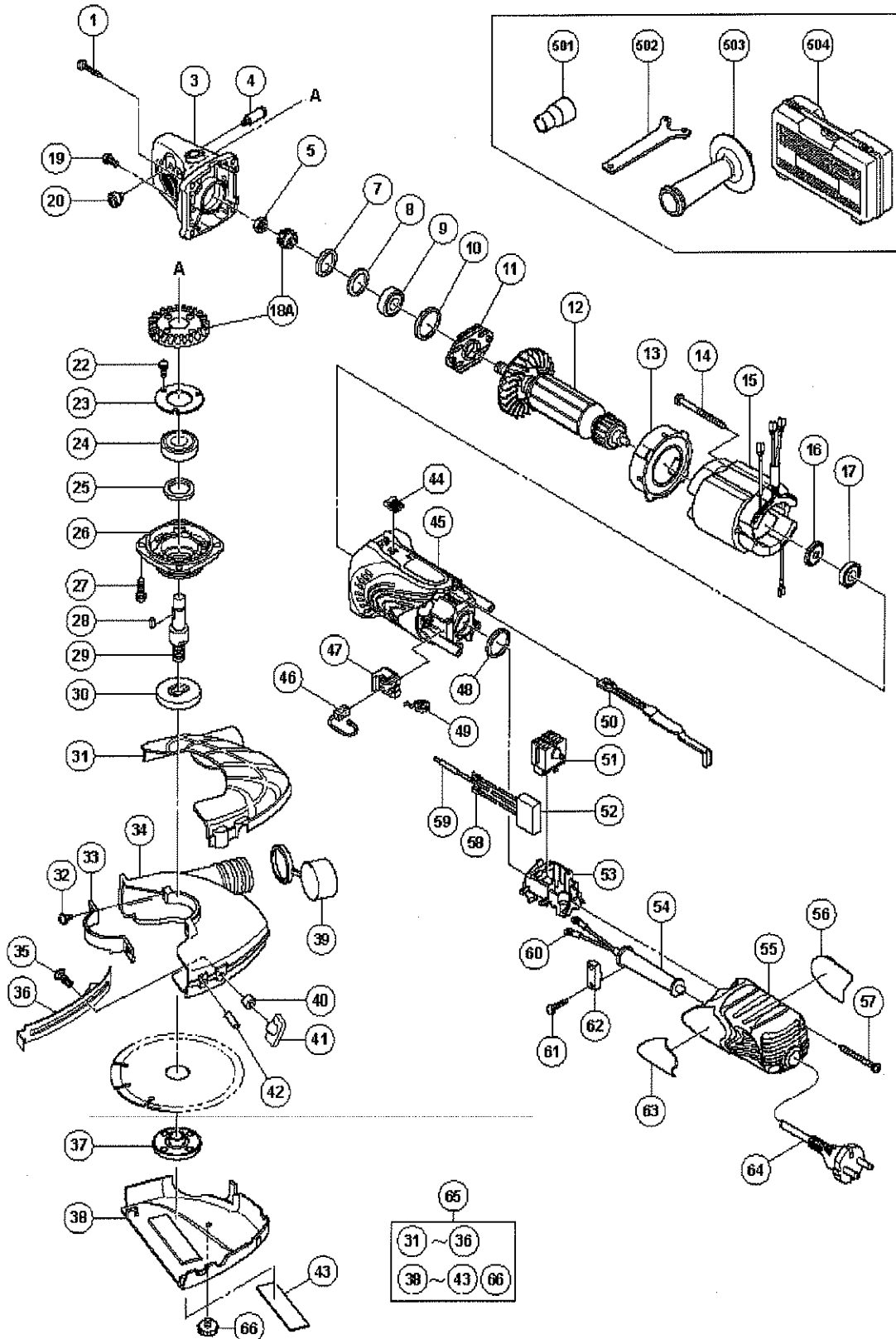
ELECTRIC TOOL PARTS LIST

■ CUTTER

2007.12.12

Model CM 5SB

(E2)



TEILE

CM5SB

Pos. Nr.	Art.Nr.	BESCHREIBUNG	Nr. STUE	KOMMENTAR
1	320-523		4	
3	321-737		1	INCLUD.4,20
4	301-943		1	
5	949-558		1	
7	308-543		1	
8	980-866		1	
9	629-T12		1	
10	321-733		1	
11	321-734		1	
* 12	360-734C		1	
* 12	360-734U		1	INCLUD.9,16,17
* 12	360-734E		1	
13	321-732		1	
14	982-021		2	
* 15	340-645C		1	
* 15	340-645D		1	
* 15	340-645E		1	
16	315-877		1	
17	608-VVM		1	
18A	329-054		1	
19	303-255		2	
20	301-944		1	
22	991-207		3	
23	936-680		1	
24	620-1DD		1	
25	308-546		1	
26	308-545		1	
27	307-046		4	
28	944-109		1	
* 29	994-301		1	
* 29	994-302		1	FOR USA,CAN
* 30	937-817Z		1	
* 30	319-373		1	FOR USA,CAN
31	328-743		1	
32	308-386		2	
33	301-949		1	
34	328-741		1	
35	942-808		1	
36	328-809		1	

*:ALTERNATIVTEILE

TEILE

CM5SB

Pos. Nr.	Art.Nr.	BESCHREIBUNG	Nr. STUE	KOMMENTAR
*	37	994-324	1	
*	37	937-923P	1	FOR USA,CAN
	38	328-742	1	
	39	324-865	1	
	40	328-841	1	
	41	314-622	1	
	42	949-785	1	
	43	328-922	1	FOR DUST COLLECTION ADAPTER ASS'Y
	44	314-428	1	
	45	325-050	1	
	46	999-088	2	
	47	317-810	2	
	48	957-754	1	
	49	308-536	2	
	50	325-051	1	
*	51	328-808	1	
*	51	319-319	1	FOR GBR (110V),USA,CAN
*	52	317-491	1	FOR GBR (110V)
	53	325-054	1	
	54	953-327	1	
	55	325-052	1	
	56	328-842	1	
	57	301-815	2	
*	58	319-320	2	FOR GBR (110V)
*	59	314-854	1	FOR GBR (110V)
	60	980-063	2	FOR CORD
	61	984-750	2	
	62	937-631	1	
	63		1	
*	64	500-234Z	1	(CORD ARMOR D8.8)
*	64	500-237Z	1	(CORD ARMOR D8.8) FOR GBR (110V)
*	64	500-435Z	1	(CORD ARMOR D8.8) FOR GBR (230V)
*	64	500-240Z	1	(CORD ARMOR D8.8) FOR USA,CAN
	65	328-740	1	INCLUD.31-36,38-43,66
	66	329-497	1	

STANDARDZUBEHÖR

CM5SB

Pos. Nr.	Art.Nr.	BESCHREIBUNG	Nr. STUE	KOMMENTAR
501	320-994		1	
502	937-913Z		1	
503	994-322		1	
504	328-845		1	
601	310-338		1	
* 602			1	
602	000-008D		0	EXCEPT FOR USA,CAN,GBR