

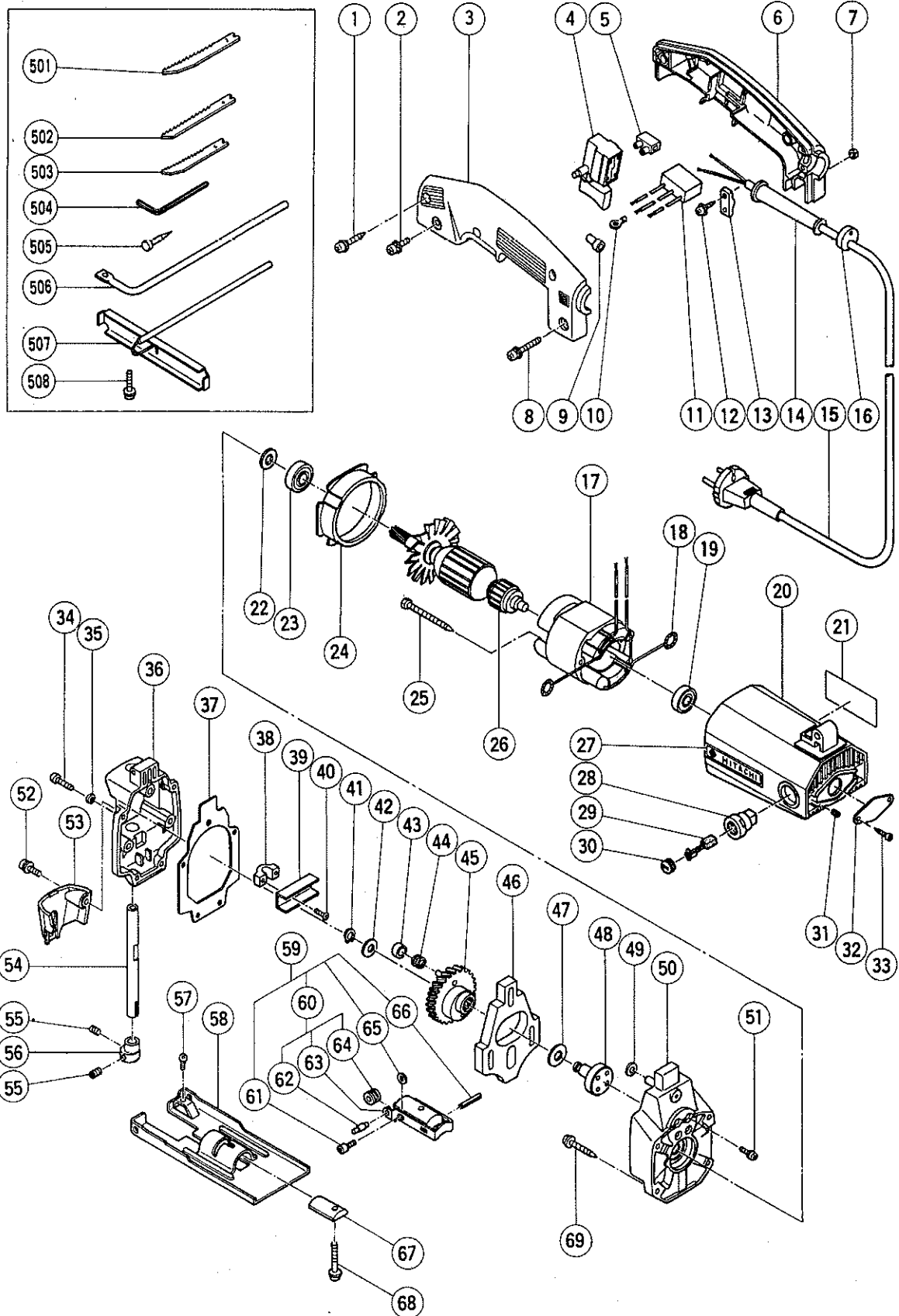
## ELECTRIC TOOL PARTS LIST

■ JIG SAW

1988.6.10

Model CJ60T

CJ60T(E1)



## PARTS

CJ60T(E1)

Item No.	Code No.	Part Name	Q'ty.	Remarks
1	982095	Tapping Screw D4 x 20	2	W/Washer
2	998461	Machine Screw M5 x 16	2	W/Spring Lock Washer, Washer
3	958341	Handle (B)	1	
4	—	Switch	1	See alternative parts
5	—	Pillar Terminal (B)	2	See alternative parts
6	958340	Handle (A)	1	
7	949555	Nut M5	1	(10 pcs.)
8	998482	Machine Screw M5 x 30	1	W/Spring Lock Washer, Washer
9	—	Connector	6	See alternative parts
10	—	Terminal	1	See alternative parts
11	—	Noise Suppressor	1	See alternative parts
12	984750	Tapping Screw D4 x 16	2	W/Flange
13	937631	Cord Clip	1	
14	—	Cord Armor	1	See alternative parts
15	—	Cord	1	See alternative parts
16	940928	Wrench Holder	1	
17	—	Stator Ass'y	1	See alternative parts
18	930630	Brush Terminal	2	
19	939291	Ball Bearing (608VVC2 PS-2)	1	
20	958291	Housing Ass'y	1	includ. 24, 25, 28, 30, 31
21	—	Name Plate	1	
22	958246	Felt Packing	1	
23	939470	Ball Bearing (6000VVCM)	1	
24	958276	Fan Guide	1	
25	961672	Hexagon Hd. Tapping Screw D4 x 50	2	
26	—	Armature	1	See alternative parts
27	957561	HITACHI Label	1	
28	937846	Brush Holder	2	
29	999021	Carbon Brush	2	(2 pcs.)
30	937847	Brush Cap	2	
31	963383	Hexagon Socket Hd. Set Screw M4 x 8	2	
32	958258	Tail Cover	1	
33	954017	Tapping Screw D4 x 12	2	
34	949219	Machine Screw M4 x 16	4	
35	949453	Spring Lock Washer	4	for M4 (10 pcs.)
36	958253	Upper Cover	1	
37	958252	Packing	1	
38	958255	Connector Holder	1	
39	940085	Connector	1	
40	958189	Flat Hd. Screw M4 x 12	2	(made of stainless steel)
41	940079	C-Type Retaining Ring	1	for D8 Shaft
42	940080	Washer (C)	1	
43	940916	Connecting Piece	1	
44	940917	Needle Roller (K6/8)	1	
45	958250	Gear	1	
46	958251	Balance Weight	1	
47	957540	Washer (A)	1	
48	958249	Spindle	1	
49	957585	Washer	3	
50	958248	Gear Cover	1	
51	991207	Machine Screw M4 x 8	4	(Seal Lock Screw) W/Spring Lock Washer
52	986348	Machine Screw M4 x 12	1	W/Spring Lock Washer, Washer
53	962123	Chip Cover	1	

## PARTS

CJ60T(E1)

Item No.	Code No.	Part Name	Q'ty	Remarks
54	958254	Plunger	1	
55	958257	Hexagon Socket Hd. Set Screw M6 x 8	2	
56	958256	Set Ring	1	
57	949235	Machine Screw M5 x 8	1	(10 pcs.)
58	963370	Base	1	
59	958269Z	Guide Roller Ass'y	1	includ. 60, 61, 65, 66
60	958278Z	Roller Ass'y	1	includ. 62 ~ 64
61	949812	Hexagon Socket Hd. Bolt M4 x 10	1	(10 pcs.)
62	962629	Pin	1	
63	958289	Support	1	
64	958290	Roller (C)	1	
65	876793	Washer	1	
66	949864	Roll Pin D3 x 22	1	(10 pcs.)
67	958262	Base Locker	1	
68	958359	Hexagon Socket Hd. Bolt M4 x 30	1	(10 pcs.)
69	982032	Tapping Screw D5 x 25	4	W/Spring Lock Washer

## ALTERNATIVE PARTS

Item No.	Code No.	Part Name	Q'ty	Remarks
4	958306Z	Double Pole Switch 100V ~ 127V	1	W/Lock
	958309Z	Double Pole Switch 220V ~ 240V	1	W/Lock
5	990592	Pillar Terminal (B)	2	for Italy
9	959140	Connector (50091)	6	(10 pcs.)
10	980063	Terminal	1	for Noise Suppressor
11	994211	Noise Suppressor	1	for Korea
	991313	Noise Suppressor	1	for N.Z., U.K., S. Africa, F.R. Germany, Netherlands
	971828	Noise Suppressor	1	for Italy
14	953327	Cord Armor D8.8	1	
	938051	Cord Armor D10.1	1	
15	500201Z	Cord	1	(Cord Armor D10.1)
	930051	Cord	1	for Korea (Cord Armor D10.1)
	500231Z	Cord	1	for U.K., S. Africa (Cord Armor D8.8)
	500245Z	Cord	1	for Syria (Cord Armor D10.1)
	500421Z	Cord	1	for Saudi Arabia (Cord Armor D8.8)
	500409Z	Cord	1	for Indonesia, Surinam, Italy, F.R. Germany, Netherlands (Cord Armor D8.8)
	500223Z	Cord	1	for Singapore, Kuwait (Cord Armor D10.1)
	500226Z	Cord	1	for N.Z. (Cord Armor D8.8)
17	340158C	Stator Ass'y 110V ~ 115V	1	includ. 18
	340158D	Stator Ass'y 120V ~ 127V	1	includ. 18
	340158E	Stator Ass'y 220V ~ 230V	1	includ. 18
	340158F	Stator Ass'y 240V	1	includ. 18
	962120	Stator Ass'y 100V	1	for Korea includ. 18

ALTERNATIVE PARTS

CJ60T(E1)

Item No.	Code No.	Part Name	Q'ty	Remarks
17	340159P	Stator Ass'y 220V	1	for Italy, F.R. Germany, Netherlands includ. 18
	340159J	Stator Ass'y 230V	1	for N.Z., S. Africa includ. 18
	340159M	Stator Ass'y 240V	1	for U.K. includ. 18
	340159L	Stator Ass'y 110V	1	for U.K. includ. 18
26	360126C	Armature 110V ~ 115V	1	
	360126D	Armature 120V ~ 127V	1	
	360126E	Armature 220V ~ 230V	1	
	360126F	Armature 240V	1	
	962082	Armature Ass'y 100V	1	for Korea includ. 19, 23
	360126G	Armature 220V	1	for Italy, S. Africa, Netherlands
	360126H	Armature 240V	1	for U.K.
	360126J	Armature 110V	1	for U.K.

STANDARD ACCESSORIES

Item No.	Code No.	Part Name	Q'ty	Remarks
501	962102Z	Blade No. 2	1	(10 pcs.)
502	962104Z	Blade No. 4	1	(10 pcs.)
503	962106Z	Blade No. 6	1	(10 pcs.)
504	943277	Hexagon Bar Wrench 3 mm	1	
505	940092	Guide Center	1	
506	963384	Circular Guide	1	
507	957563	Guide	1	
508	963398	Hexagon Socket Hd. Bolt M4 x 20	1	W/Flange

OPTIONAL ACCESSORIES

Item No.	Code No.	Part Name	Q'ty	Remarks
601	962101Z	Blade No. 1	1	(10 pcs.)
602	962103Z	Blade No. 3	1	(10 pcs.)
603	962105Z	Blade No. 5	1	(10 pcs.)
604	879330	Blade No. 1	1	(5 pcs.)
605	879331	Blade No. 2	1	(5 pcs.)
606	879332	Blade No. 3	1	(5 pcs.)
607	879333	Blade No. 4	1	(5 pcs.)
608	879334	Blade No. 5	1	(5 pcs.)
609	879335	Blade No. 6	1	(5 pcs.)