

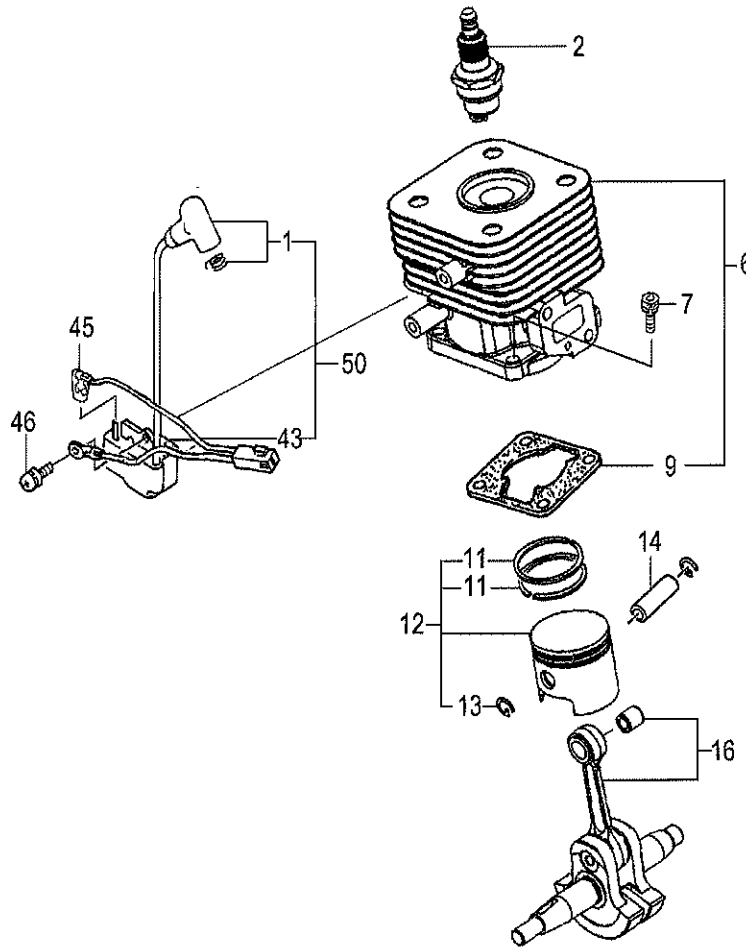
# **H45**

**(For Europe)**

## **CH55EPC(SM)**

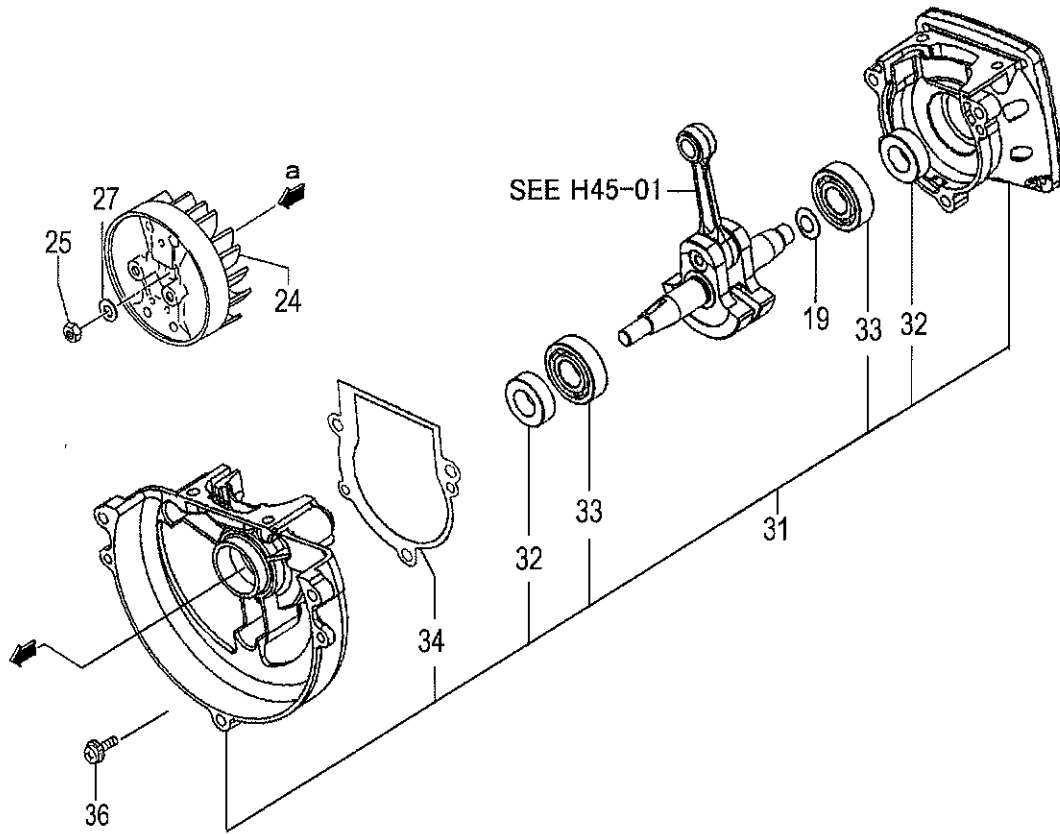
**Serial No.**

# H45-01 CYLINDER/PISTON/CRANK SHAFT



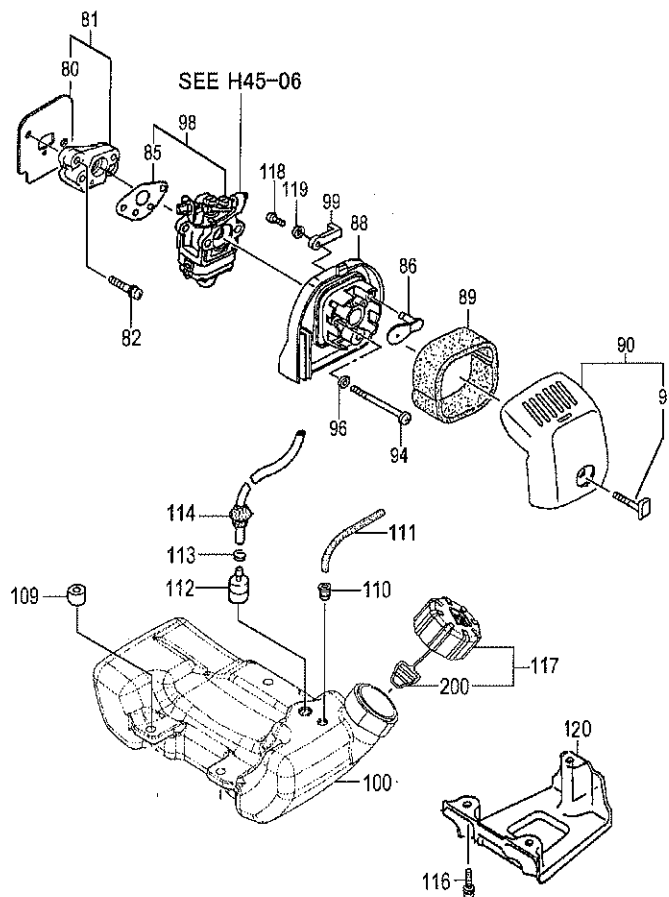
| REF. NUMBER                               | PARTS NUMBER | DESCRIPTION            | Q'TY     | SERIAL NUMBER |
|---|--------------|------------------------|----------|---------------|
| <b>H45-01 CYLINDER/PISTON/CRANK SHAFT</b> |              |                        |          |               |
| 001                                       | 668-4894     | PLUG CAP ASS'Y         | 1        |               |
| <b>002</b>                                | 668-5086     | SPARK PLUG BPMR6A      | <b>1</b> |               |
| 006                                       | 668-5493     | CYLNDER SET            | 1        |               |
| 007                                       | 668-4586     | HEX.HOLE BOLT M5X18/S  | 4        |               |
| 009                                       | 668-5750     | CYLINDER GASKET T=1.0  | 1        |               |
| 011                                       | 668-6121     | PISTON RING            | 2        |               |
| 012                                       | 668-5902     | PISTON SET             | 1        |               |
| 013                                       | 668-4590     | PISTON PIN CIRCLIP     | 2        |               |
| 014                                       | 668-4591     | PISTON PIN             | 1        |               |
| <b>016</b>                                | 668-6219     | CRANK SHAFT COMP.      | <b>1</b> |               |
| 043                                       | 668-7683     | IGNITION COIL COMP.    | 1        |               |
| 045                                       | 668-7965     | LEAD WIRE ASS'Y        | 1        |               |
| 046                                       | 668-4599     | HEX.HOLE BOLT M4X18/WS | 2        |               |
| 050                                       | 668-7684     | IGNITION COIL ASSY     | 1        |               |

# H45-02 CRANK CASE



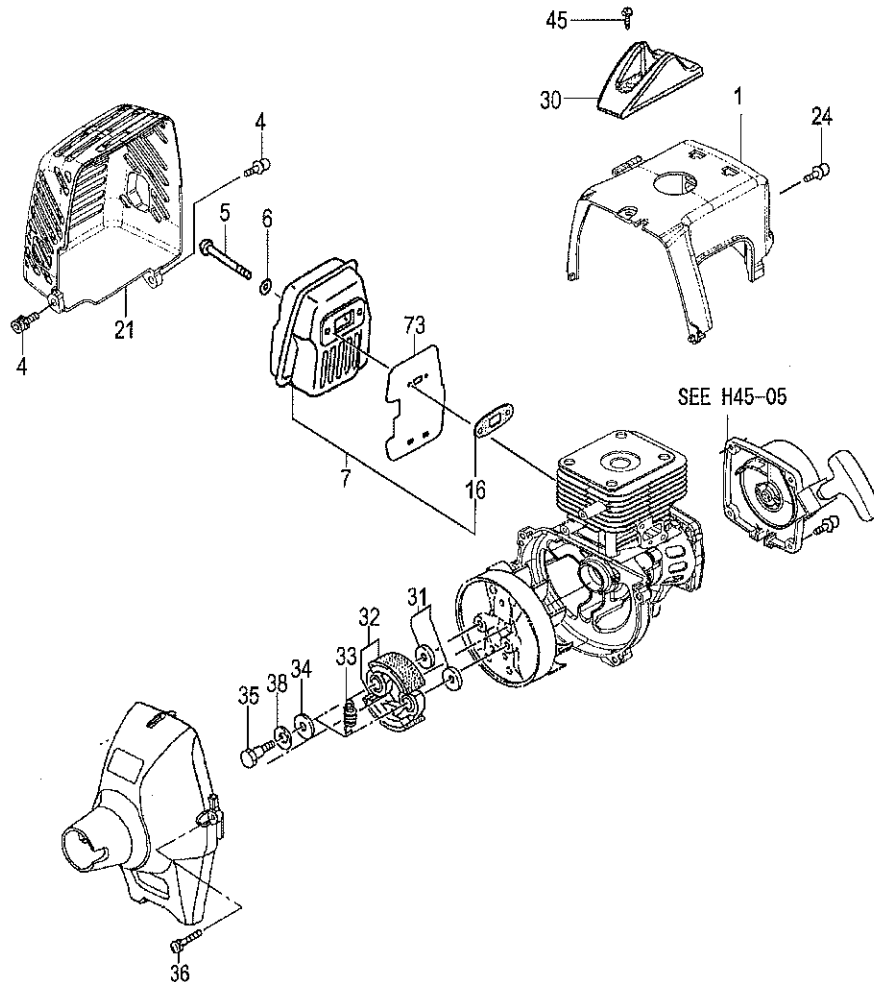
| REF. NUMBER              | PARTS NUMBER | DESCRIPTION           | Q'TY | SERIAL NUMBER |
|--------------------------|--------------|-----------------------|------|---------------|
| <b>H45-02 CRANK CASE</b> |              |                       |      |               |
| 019                      | 668-4604     | GEAR SHAFT SHIM 0.20  | V    |               |
| 019                      | 668-4605     | GEAR SHAFT SHIM 0.30  | V    |               |
| 024                      | 668-7384     | MAGNETO ROTOR COMP.   | 1    |               |
| 025                      | 668-4612     | HEX.NUT M8            | 1    |               |
| 027                      | 668-4611     | WASHER M8             | 1    |               |
| 031                      | 668-4905     | CRANK CASE ASS'Y      | 1    |               |
| 032                      | 668-4607     | OIL SEAL TB 12227     | 2    |               |
| 033                      | 668-4608     | BALL BEARING 6001 C3  | 2    |               |
| 034                      | 668-4904     | CRANK CASE GASKET     | 1    |               |
| 036                      | 668-4903     | HEX.HOLE BOLT M5X16/S | 4    |               |

# H45-03 ENGINE-1



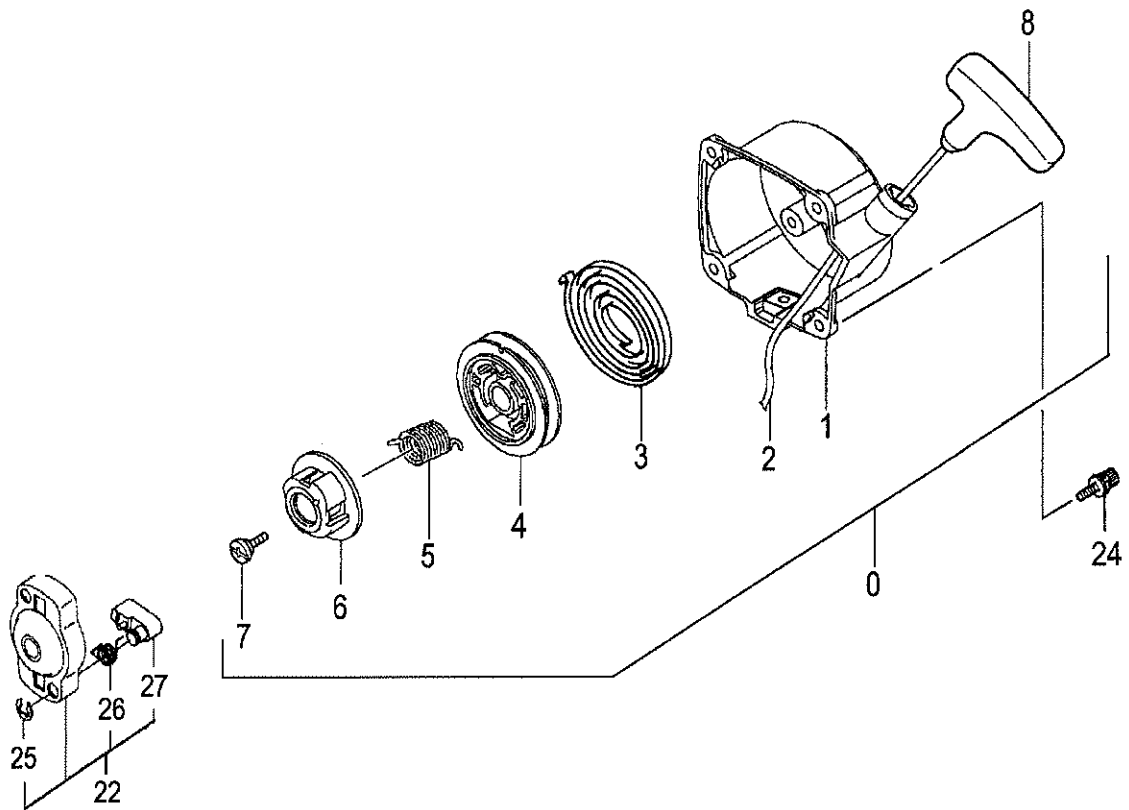
| REF. NUMBER            | PARTS NUMBER | DESCRIPTION            | Q'TY | SERIAL NUMBER |
|------------------------|--------------|------------------------|------|---------------|
| <b>H45-03 ENGINE-1</b> |              |                        |      |               |
| 080                    | 668-9895     | INLET MANIFOLD GASKET  | 1    |               |
| 081                    | 668-9972     | INSULATOR SET          | 1    |               |
| 082                    | 669-5515     | HEX. HOLE BOLT 5X25WS  | 2    |               |
| 085                    | 668-4615     | CARBURETOR GASKET      | 2    |               |
| 086                    | 669-1281     | CHOKE LEVER 1.5        | 1    |               |
| 088                    | 669-0120     | CLEANER BODY COMP.     | 1    |               |
| 089                    | 669-0365     | CLEANER SPONGE         | 1    |               |
| 090                    | 669-0421     | CLEANER COVER ASS'Y    | 1    |               |
| 091                    | 669-0384     | COVER FIXING BOLT      | 1    |               |
| 094                    | 669-5353     | SCREW 5X57/S           | 2    |               |
| 096                    | 668-4864     | SMALL WASHER 5         | 2    |               |
| 098                    | 669-0519     | CABURETOR SET WYJ-431  | 1    |               |
| 099                    | 669-1239     | CHOKE CONTROL LEVER    | 1    |               |
| <b>100</b>             | 669-1602     | TANK WHT               | 1    |               |
| 109                    | 668-4623     | COLLAR C               | 3    |               |
| 110                    | 668-4627     | RETURN GROMMET         | 1    |               |
| 111                    | 668-4626     | FUEL PIPE 3X5X65       | 1    |               |
| 112                    | 668-4620     | PUMP FILTER BODY COMP. | 1    |               |
| 113                    | 668-4619     | CLIP, 6.3 DIA.         | 1    |               |
| 114                    | 668-4618     | FUEL PIPE ASS'Y        | 1    |               |
| 116                    | 668-4634     | HEX.HOLE BOLT 5X20/PS  | 3    |               |
| 117                    | 668-5049     | TANK CAP ASS'Y         | 1    |               |
| <b>118</b>             | 669-5280     | TAP SCREW 4X14 P       | 1    |               |
| 119                    | 668-5070     | BOLT WASHER M4         | 1    |               |
| 120                    | 669-4787     | STAND                  | 1    |               |
| 200                    | 668-4625     | TANK CAP CHAIN         | 1    |               |

# H45-04 ENGINE-2



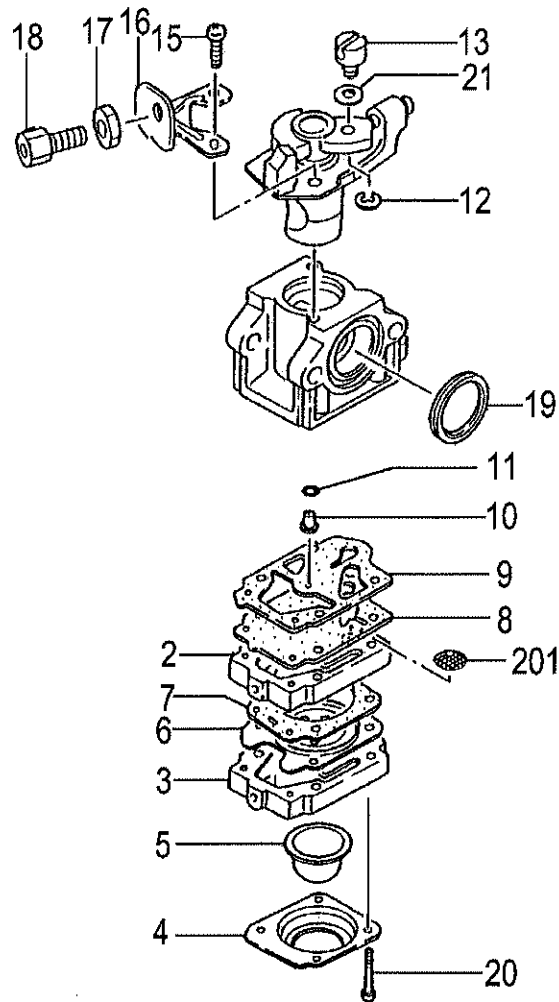
| REF. NUMBER            | PARTS NUMBER | DESCRIPTION           | Q'TY | SERIAL NUMBER |
|------------------------|--------------|-----------------------|------|---------------|
| <b>H45-04 ENGINE-2</b> |              |                       |      |               |
| 001                    | 668-5690     | CYLINDER COVER        | 1    |               |
| 004                    | 669-5504     | HEX.HOLE BOLT 5X16/PS | 2    |               |
| 005                    | 668-4638     | HEX. HOLE BOLT M6X55  | 2    |               |
| 006                    | 668-4639     | WASHER 6              | 2    |               |
| 007                    | 669-2498     | MUFFLER SET           | 1    |               |
| 016                    | 669-2732     | MUFFLER GASKET        | 1    |               |
| 021                    | 669-2813     | MUFFLER PROTECTOR     | 1    |               |
| 024                    | 669-5508     | HEX. HOLE BOLT 4X18WS | 2    |               |
| 030                    | 668-8345     | PLUG CAP              | 1    |               |
| 031                    | 668-4642     | CLUTCH WASHER B       | 2    |               |
| 032                    | 668-4643     | CLUTCH SHOE COMP.     | 2    |               |
| 033                    | 668-4644     | CLUTCH SPRING         | 1    |               |
| 034                    | 668-4645     | CLUTCH PLATE A 0.5    | 2    |               |
| 035                    | 668-4646     | STEP BOLT             | 2    |               |
| 036                    | 668-4634     | HEX.HOLE BOLT 5X20/PS | 3    |               |
| 038                    | 668-4648     | BENT WASHER 8         | 2    |               |
| 045                    | 668-4636     | TAPPING SCREW D4.5X16 | 1    |               |
| 073                    | 668-7264     | HEAT SHIELD           | 1    |               |

# H45-05 RECOIL STARTER



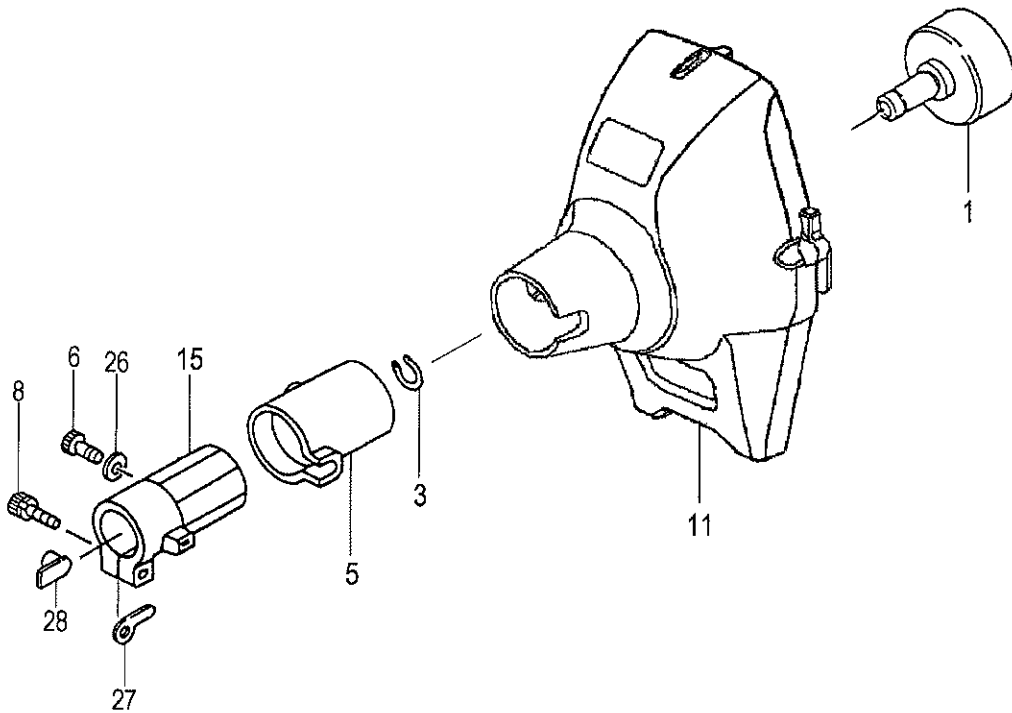
| REF. NUMBER                  | PARTS NUMBER | DESCRIPTION               | Q'TY | SERIAL NUMBER |
|------------------------------|--------------|---------------------------|------|---------------|
| <b>H45-05 RECOIL STARTER</b> |              |                           |      |               |
| 000                          | 668-4672     | RECOIL STARTER BODY ASS'Y | 1    |               |
| 001                          | 668-4673     | RECOIL STARTER BODY COMP. | 1    |               |
| 002                          | 668-4674     | STARTER ROPE 3.5X860      | 1    |               |
| 003                          | 668-4675     | RECOIL SPRING             | 1    |               |
| 004                          | 668-4676     | STARTER ROPE REEL         | 1    |               |
| 005                          | 668-4677     | DUMPER SPRING             | 1    |               |
| 006                          | 668-4678     | CAM PLATE                 | 1    |               |
| 007                          | 668-4679     | SET SCREW                 | 1    |               |
| 008                          | 668-4680     | STARTER HANDLE            | 1    |               |
| 022                          | 668-4681     | STARTER PULLEY ASS'Y      | 1    |               |
| 024                          | 669-5508     | HEX. HOLE BOLT 4X18WS     | 2    |               |
| 025                          | 668-4683     | STOP RING E-5             | 2    |               |
| 026                          | 668-4684     | STARTER PAWL SPRING       | 2    |               |
| 027                          | 668-4685     | STARTER PAWL              | 2    |               |

# H45-06 CARBURETOR



| REF. NUMBER              | PARTS NUMBER | DESCRIPTION              | Q'TY | SERIAL NUMBER |
|--------------------------|--------------|--------------------------|------|---------------|
| <b>H45-06 CARBURETOR</b> |              |                          |      |               |
| 002                      | 668-4879     | PUMP BODY COMP.          | 1    |               |
| 003                      | 668-4687     | PRIMING PUMP COMP.       | 1    |               |
| 004                      | 668-4688     | DIAPHRAGM COVER          | 1    |               |
| 005                      | 668-4689     | PRIMING BODY             | 1    |               |
| 006                      | 669-0830     | METERING DIAPHRAGM COMP. | 1    |               |
| 007                      | 668-4691     | DIAPHRAGM GASKET         | 1    |               |
| 008                      | 668-4693     | PUMP DIAPHRAGM           | 1    |               |
| 009                      | 668-4692     | PUMP GASKET              | 1    |               |
| 010                      | 669-1847     | MAIN JET #42             | 1    |               |
| 011                      | 668-4695     | O-RING                   | 1    |               |
| 012                      | 668-4696     | STOP RING                | 1    |               |
| 013                      | 668-4697     | SWIVEL                   | 1    |               |
| 015                      | 668-4870     | THROTTLE SET SCREW       | 2    |               |
| 016                      | 668-4873     | CABLE ADJUSTER STAY      | 1    |               |
| 017                      | 669-2005     | CABLE ADJUST NUT         | 1    |               |
| 018                      | 668-4871     | CABLE ADJUSTER           | 1    |               |
| 019                      | 668-4875     | CLEANER PACKING          | 1    |               |
| 020                      | 668-4699     | SET SCREW                | 4    |               |
| 021                      | 668-4874     | THRUST WASHER            | 1    |               |
| 201                      | 668-4700     | INLET SCREEN             | 1    |               |

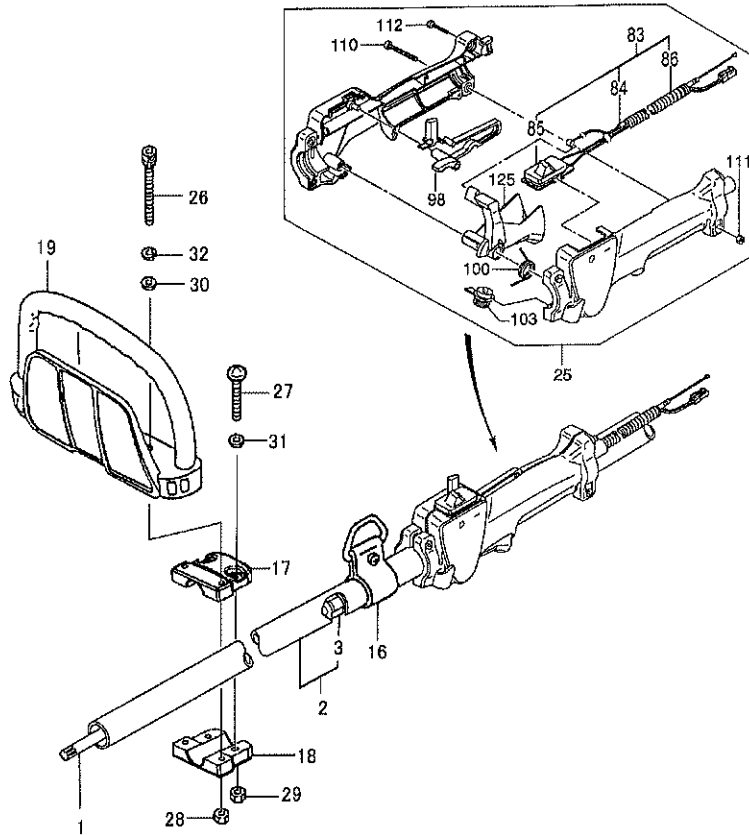
# H45-07 FAN CASE



| REF. NUMBER            | PARTS NUMBER | DESCRIPTION           | Q'TY | SERIAL NUMBER |
|------------------------|--------------|-----------------------|------|---------------|
| <b>H45-07 FAN CASE</b> |              |                       |      |               |
| 001                    | 668-8580     | CLUTCH DRUM COMP.     | 1    |               |
| 003                    | 668-4664     | STOP RING C-12 OUTER  | 1    |               |
| 005                    | 669-1823     | CUSHION RUBBER        | 1    |               |
| 006                    | 669-5046     | HEX. HOLE BOLT 5X16   | 1    |               |
| 008                    | 668-4709     | HEX.HOLE BOLT M5X25/S | 1    |               |
| 011                    | 668-6959     | FAN CASE COMP.        | 1    |               |
| 015                    | 668-9651     | PIPE HOLDER, TPE      | 1    |               |
| 026                    | 668-4918     | WASHER M5             | 1    |               |
| 027                    | 668-9159     | GEAR CASE WASHER      | 1    |               |
| 028                    | 668-9664     | METAL FITTING         | 1    |               |

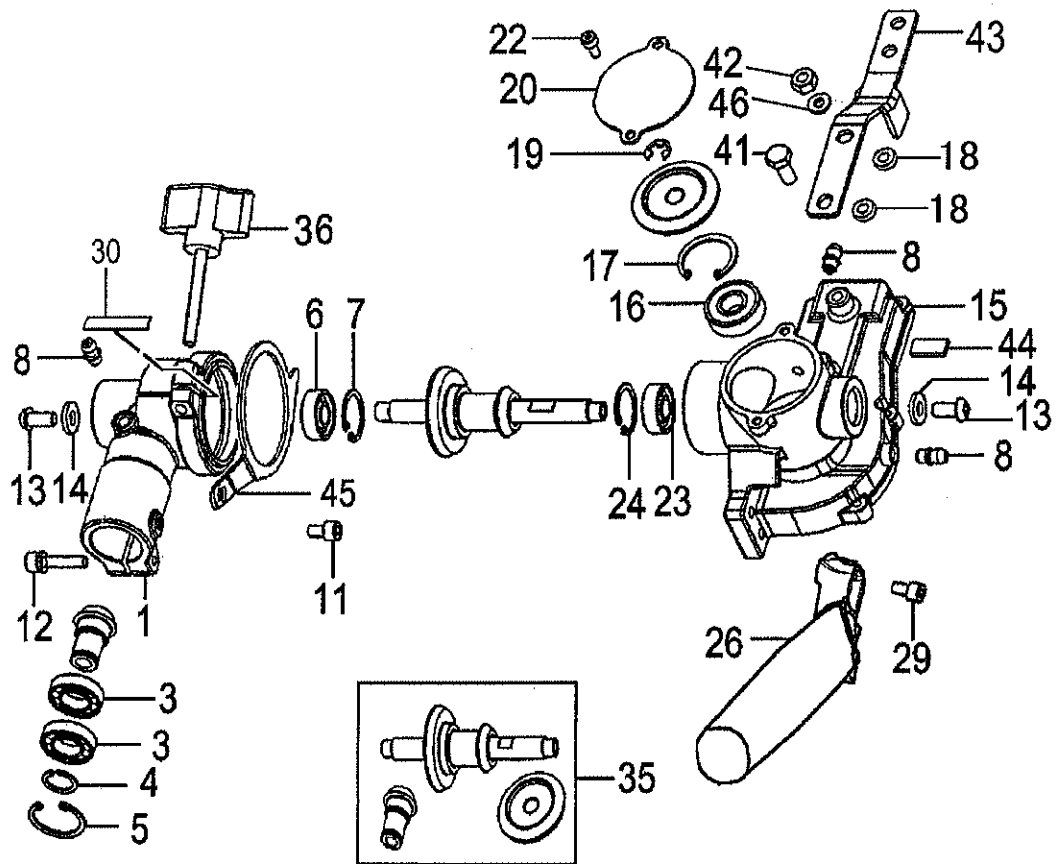


# H45-08 OPERATION PIPE



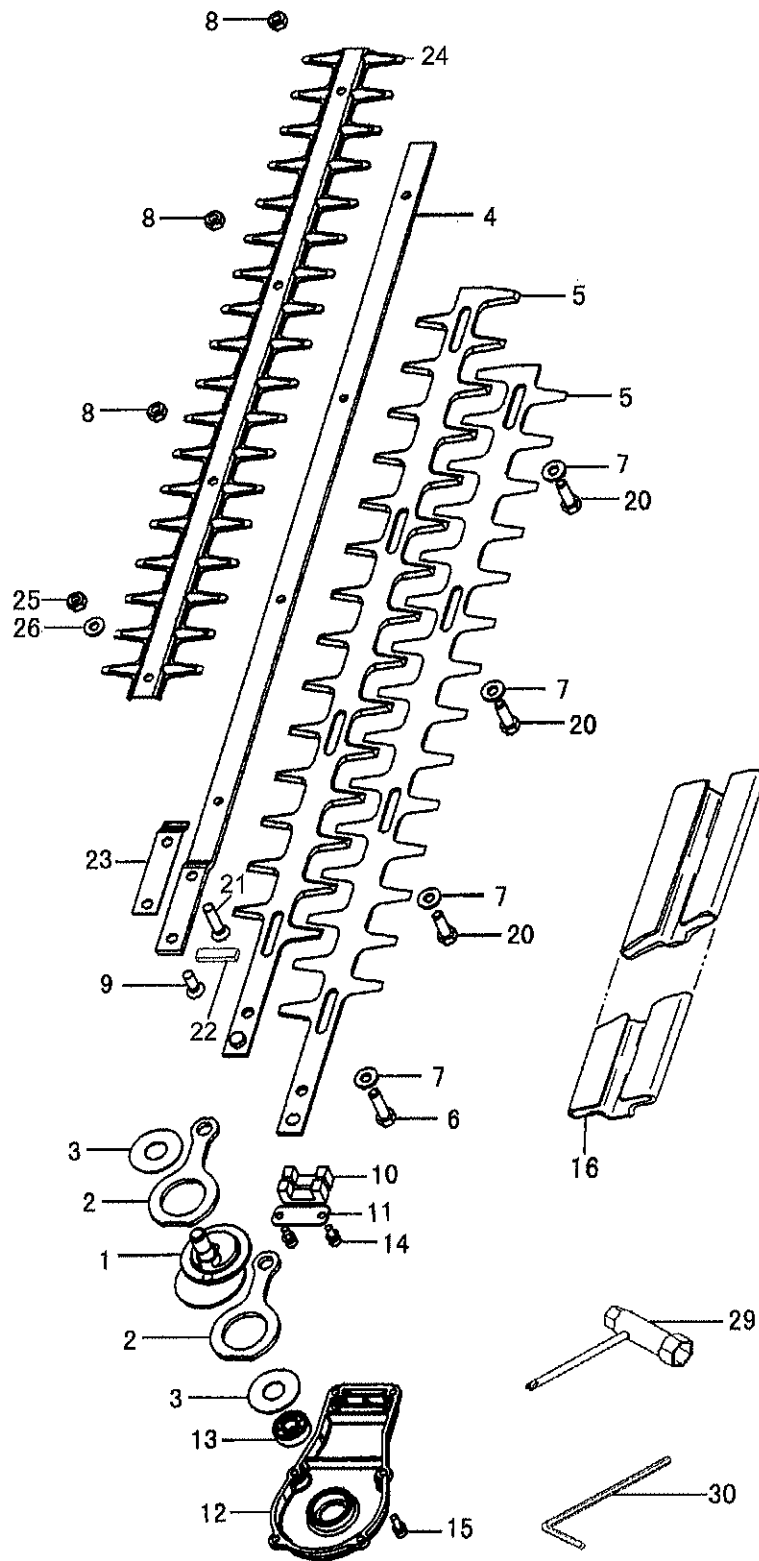
| REF. NUMBER                  | PARTS NUMBER | DESCRIPTION                   | Q'TY | SERIAL NUMBER |
|------------------------------|--------------|-------------------------------|------|---------------|
| <b>H45-08 OPERATION PIPE</b> |              |                               |      |               |
| 001                          | 668-9439     | DRIVE SHAFT 633L              | 1    |               |
| 002                          | 668-9303     | DRIVE SHAFT PIPE 600L         | 1    |               |
| 003                          | 668-4831     | BUSH ASS'Y                    | 2    |               |
| 016                          | 668-9277     | LIFTING METAL ASS'Y           | 1    |               |
| 017                          | 668-8103     | BRACKET A                     | 1    |               |
| 018                          | 668-8104     | BRACKET B                     | 1    |               |
| 019                          | 668-8096     | FRONT HANDLE                  | 1    |               |
| 025                          | 669-3764     | THROTTLE LEVER ASS'Y, 24 DIA. | 1    |               |
| 026                          | 669-5056     | HEX. HOLE BOLT 5X55           | 2    |               |
| 027                          | 668-4714     | HEX.HOLE BUTTON SCREW 6X25SS  | 2    |               |
| 028                          | 668-5075     | NUT M5 (BLACK)                | 2    |               |
| 029                          | 668-4835     | HEX.NUT 6                     | 2    |               |
| 030                          | 668-4918     | WASHER M5                     | 2    |               |
| 031                          | 669-5194     | WASHER 6                      | 2    |               |
| 032                          | 668-4834     | SPRING WASHER 5               | 2    |               |
| 083                          | 669-3978     | THROTTLE WIRE COMP.           | 1    |               |
| 084                          | 669-4022     | THROTTLE WIRE                 | 1    |               |
| 085                          | 668-7459     | STOP SWITCH COMP.             | 1    |               |
| 086                          | 668-7526     | PROTECTION TUBE 7X175         | 1    |               |
| 098                          | 668-4721     | SAFETY LEVER                  | 1    |               |
| 100                          | 668-4722     | RETURN SPRING                 | 1    |               |
| 103                          | 669-3807     | THROTTLE STOPPER COMP.        | 1    |               |
| 110                          | 668-4803     | SCREW M5X20                   | 2    |               |
| 111                          | 668-4727     | CONTAL NUT 5                  | 2    |               |
| 112                          | 668-4725     | SCREW M4X20 (BLACK)           | 4    |               |
| 125                          | 668-4804     | THROTTLE LEVER                | 1    |               |

# H45-09 GEAR CASE



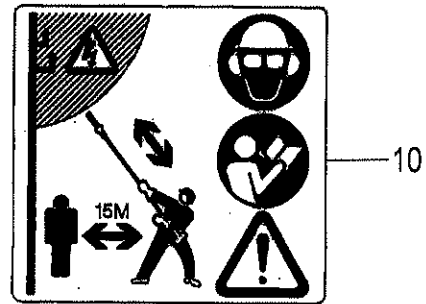
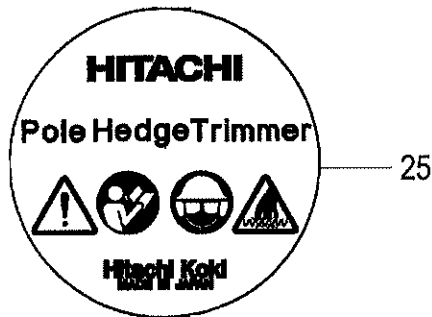
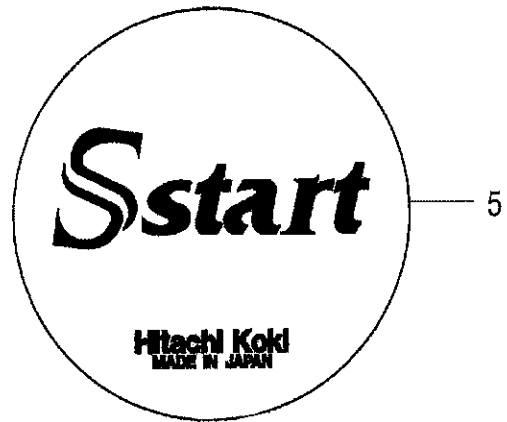
| REF. NUMBER             | PARTS NUMBER | DESCRIPTION                | Q'TY | SERIAL NUMBER |
|-------------------------|--------------|----------------------------|------|---------------|
| <b>H45-09 GEAR CASE</b> |              |                            |      |               |
| 001                     | 668-8653     | GEAR CASE A,24 DIA         | 1    |               |
| 003                     | 669-6515     | BALL BEARING #6901ZZ C     | 2    |               |
| 004                     | 669-5302     | STOP RING S-12, OUTER      | 1    |               |
| 005                     | 668-4732     | STOP RING C-24, INNER      | 1    |               |
| 006                     | 669-6514     | BALL BEARING #608ZZ C3     | 1    |               |
| 007                     | 669-5293     | STOP RING C-22, INNER      | 1    |               |
| 008                     | 668-8643     | GREASE NIPPLE COMP.        | 3    |               |
| 011                     | 669-5042     | HEX. HOLE BOLT 5X10        | 1    |               |
| 012                     | 668-4709     | HEX.HOLE BOLT M5X25/S      | 1    |               |
| 013                     | 669-5078     | HEX. HOLE BOLT 6X12        | 2    |               |
| 014                     | 668-4822     | SPECIAL WASHER B           | 2    |               |
| 015                     | 668-8834     | GEAR CASE B                | 1    |               |
| 016                     | 669-5529     | BALL BEARING #6000 2RS C3  | 1    |               |
| 017                     | 669-5294     | STOP RING C-26, INNER      | 1    |               |
| 018                     | 668-4822     | SPECIAL WASHER B           | 2    |               |
| 019                     | 669-5310     | STOP RING E-6              | 1    |               |
| 020                     | 668-9167     | GEAR CASE COVER A          | 1    |               |
| 022                     | 669-5035     | HEX HOLE BOLT 4X8          | 2    |               |
| 023                     | 669-6411     | GEAR ST PN                 | 1    |               |
| 024                     | 669-5293     | STOP RING C-22, INNER      | 1    |               |
| 026                     | 668-8089     | HANDLE                     | 1    |               |
| 029                     | 669-5079     | HEX HOLE BUTTON SCREW 6X15 | 2    |               |
| 030                     | 668-6669     | GREASE SEALED              | 1    |               |
| 035                     | 669-6411     | GEAR SET PN                | 1    |               |
| 036                     | 669-1200     | HANDLE KNOB A COMP.        | 1    |               |
| 041                     | 669-5016     | PLUS BOLT 6X14             | 1    |               |
| 042                     | 669-5175     | NUT 6 UPS-P                | 1    |               |
| 043                     | 669-0744     | SUPPORT PLATE              | 1    |               |
| 044                     | 668-6659     | GREASE SEAL B              | 1    |               |
| 045                     | 668-8159     | ANGLE LIMITTER             | 1    |               |
| 046                     | 668-4639     | WASHER 6                   | 1    |               |

# H45-10 BLADE



| REF. NUMBER         | PARTS NUMBER | DESCRIPTION                   | Q'TY | SERIAL NUMBER |
|---------------------|--------------|-------------------------------|------|---------------|
| <b>H45-10 BLADE</b> |              |                               |      |               |
| 001                 | 668-6790     | CAM SHAFT COMP.               | 1    |               |
| 002                 | 668-6809     | CAM ROD                       | 2    |               |
| 003                 | 668-6611     | CAM-ROD GUIDE PLATE           | 2    |               |
| 004                 | 668-7125     | CUTTER GUIDE 625.5MM          | 1    |               |
| 005                 | 668-7079     | CUTTER                        | 2    |               |
| 006                 | 668-7158     | FIXING BOLT A M6              | 1    |               |
| 007                 | 668-7187     | WASHER 7 BLACK                | 4    |               |
| 008                 | 669-5170     | FLANGE NUT 6                  | 3    |               |
| 009                 | 669-5073     | HEX HOLE FLUSH SCREW 6X16     | 1    |               |
| 010                 | 668-6647     | GREASE SEAL A                 | 2    |               |
| 011                 | 668-6826     | CAM-ROD HOLDING PLATE         | 1    |               |
| 012                 | 668-9173     | GEAR CASE COVER B             | 1    |               |
| 013                 | 669-6514     | BALL BEARING #608ZZ C3        | 1    |               |
| 014                 | 669-5484     | HEX. HOLE BOLT 4X10S          | 2    |               |
| 015                 | 668-4595     | HEX.HOLE BOLT M4X12/S         | 6    |               |
| 016                 | 668-7301     | CUTTER COVER                  | 1    |               |
| 020                 | 668-7162     | CUTTER FIXING BOLT B          | 3    |               |
| 021                 | 669-5075     | HEX. HOLE FLUSH BOLT 6X25     | 1    |               |
| 022                 | 668-6666     | GREASE SEAL B                 | 1    |               |
| 023                 | 668-8633     | SPACER                        | 1    |               |
| 024                 | 668-7281     | PROTECTION PLATE              | 1    |               |
| 025                 | 669-5175     | NUT 6 UPS-P                   | 1    |               |
| 026                 | 668-4639     | WASHER 6                      | 1    |               |
| 029                 | 668-5997     | COMBI. BOX SPANNER 10X19 ,PLU | 1    |               |
| 030                 | 668-4813     | HEX. BAR WRENCH 4MM           | 1    |               |

# H45-11 LABELS



| REF. NUMBER          | PARTS NUMBER | DESCRIPTION             | Q'TY | SERIAL NUMBER |
|----------------------|--------------|-------------------------|------|---------------|
| <b>H45-11 LABELS</b> |              |                         |      |               |
| 001                  | 669-4755     | SYMBOL MARK CH55EPC(SM) | 1    |               |
| 004                  | 668-4851     | LEVEL MARK              | 1    |               |
| 005                  | 669-4474     | STARTER MARK S.START    | 1    |               |
| 010                  | 669-4415     | CAUTION MARK            | 1    |               |
| 025                  | 669-4556     | CAUTION MARK HITACHI    | 1    |               |