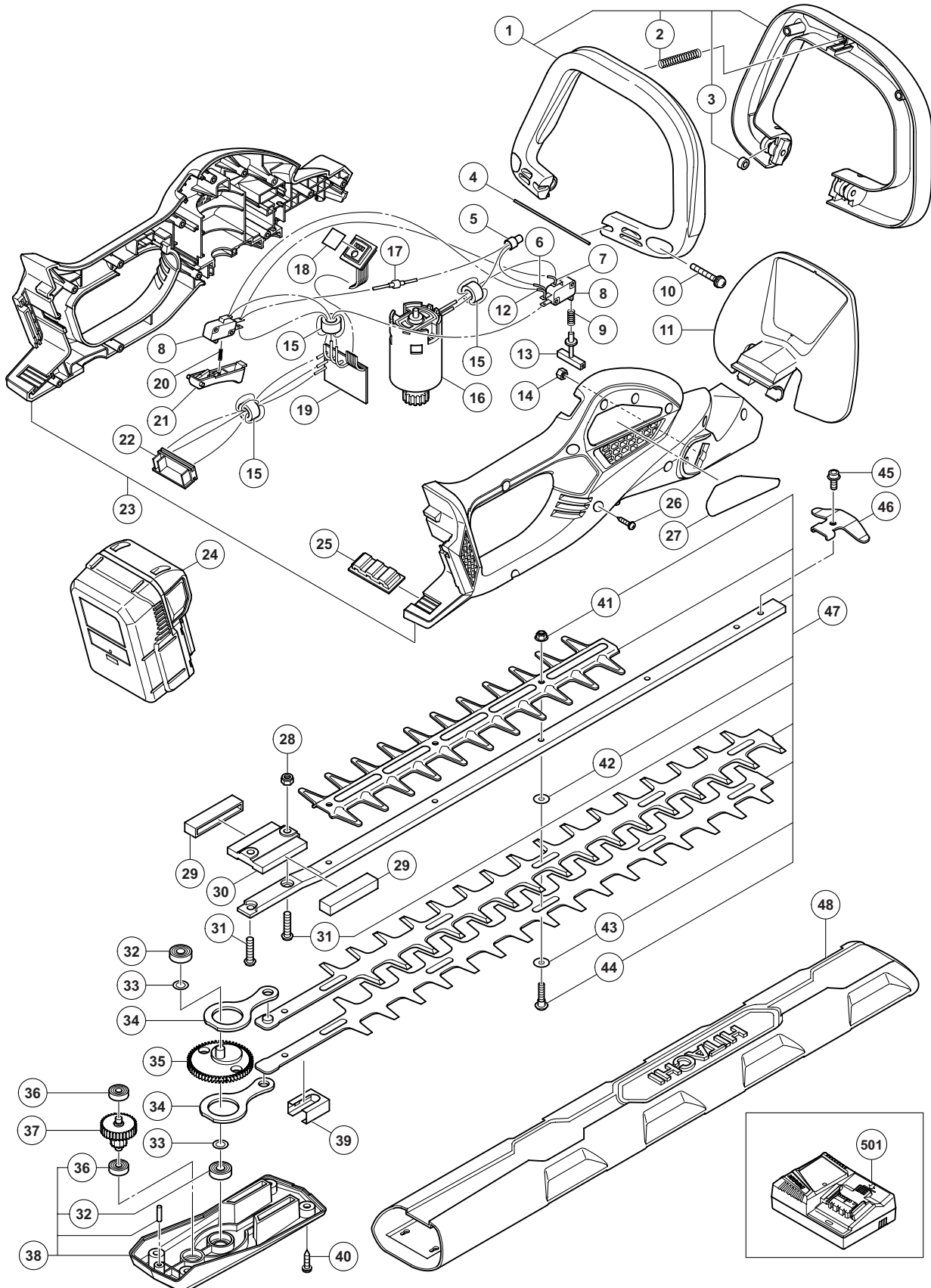


## ELECTRIC TOOL PARTS LIST

### ■ CORDLESS HEDGE TRIMMER Model CH 36DL

2013·1·8  
(E1)



**PARTS**

CH 36DL

| ITEM NO. | CODE NO. | DESCRIPTION                              | NO. USED | REMARKS           |
|----------|----------|--|----------|-------------------|
| 1        | 335-015  | SUB HANDLE ASS'Y                         | 1        | INCLUD. 2, 3      |
| 2        | 333-341  | SPRING (C)                               | 1        |                   |
| 3        | 335-347  | COLLAR                                   | 2        |                   |
| 4        | 335-019  | SHAFT (D)                                | 1        |                   |
| 5        | 959-141  | CONNECTOR 50092 (10 PCS.)                | 1        |                   |
| 6        | 335-345  | INTERNAL WIRE (L96)                      | 1        |                   |
| 7        | 335-344  | INTERNAL WIRE (L186)                     | 1        |                   |
| 8        | 335-018  | SWITCH                                   | 2        |                   |
| 9        | 333-344  | SPRING (D)                               | 1        |                   |
| 10       | 880-561  | MACHINE SCREW (W/WASHERS) M5 X 30        | 2        |                   |
| 11       | 335-010  | PROTECTOR                                | 1        |                   |
| 12       | 335-343  | INTERNAL WIRE (L204)                     | 1        |                   |
| 13       | 333-343  | PUSH PIN                                 | 1        |                   |
| 14       | 302-012  | NUT M5 (BLACK)                           | 2        |                   |
| 15       | 334-379  | FERRITE CORE                             | 3        |                   |
| 16       | 335-016  | MOTOR DC 36 V                            | 1        |                   |
| 17       | 335-346  | DIODE                                    | 1        |                   |
| 18       | 335-342  | PANEL SHEET                              | 1        |                   |
| 19       | 335-341  | CONTROLLER (W/FERRITE CORE)              | 1        |                   |
| 20       | 324-307  | SPRING (B)                               | 1        |                   |
| 21       | 333-761  | TRIGGER                                  | 1        |                   |
| 22       | 331-399  | BATTERY TERMINAL                         | 1        |                   |
| 23       | 335-012  | HOUSING (A).(B) SET                      | 1        |                   |
| * 24     | 334-998  | BATTERY BSL 3620 (EUROPE, AUS, NZL)      | 1        |                   |
| * 24     | 334-997  | BATTERY BSL 3620 (USA, CAN)              | 1        |                   |
| 25       | 332-668  | RUBBER CUSHION                           | 1        |                   |
| 26       | 301-653  | TAPPING SCREW (W/FLANGE) D4 X 20 (BLACK) | 12       |                   |
| 27       |          | NAME PLATE                               | 1        |                   |
| 28       | 669-8766 | NYLON NUT M6                             | 2        |                   |
| 29       | 335-021  | CUSHION                                  | 2        |                   |
| 30       | 335-020  | SPACER                                   | 1        |                   |
| 31       | 669-9113 | HEX. SOCKET HD. BOLT (W/BUTTON) M6 X 25  | 2        |                   |
| 32       | 608-DDM  | BALL BEARING 608DDC2PS2L                 | 2        |                   |
| 33       | 335-022  | WASHER                                   | 2        |                   |
| 34       | 669-8987 | CAM ROD                                  | 2        |                   |
| 35       | 335-014  | GEAR                                     | 1        |                   |
| 36       | 335-669  | BALL BEARING 626ZZC2 PS2-L               | 2        |                   |
| 37       | 335-013  | FIRST GEAR                               | 1        |                   |
| * 38     | 335-017  | BOTTOM COVER ASS'Y                       | 1        | INCLUD. 32, 36    |
| * 38     | 335-676  | BOTTOM COVER ASS'Y                       | 1        | INCLUD. 32, 36    |
| 39       | 335-677  | CAM LOD HOLDER                           | 1        |                   |
| 40       | 302-089  | TAPPING SCREW (W/FLANGE) D5 X 20 (BLACK) | 4        |                   |
| 41       | 669-8108 | CARBURETOR GASKET                        | 5        |                   |
| 42       | 669-9114 | WASHER (A)                               | 5        |                   |
| 43       | 669-9111 | WASHER M7                                | 5        |                   |
| 44       | 669-9109 | SHOULDER BUTTON BOLT M5                  | 5        |                   |
| 45       | 669-9065 | HEX. SOCKET HD. BOLT (W/FLANGE) M5 X 8   | 1        |                   |
| 46       | 669-9062 | GUARD PLATE                              | 1        |                   |
| 47       | 669-9061 | BLADE ASS'Y                              | 1        | INCLUD. 31, 41-44 |
| 48       | 335-011  | BLADE CASE                               | 1        |                   |



