

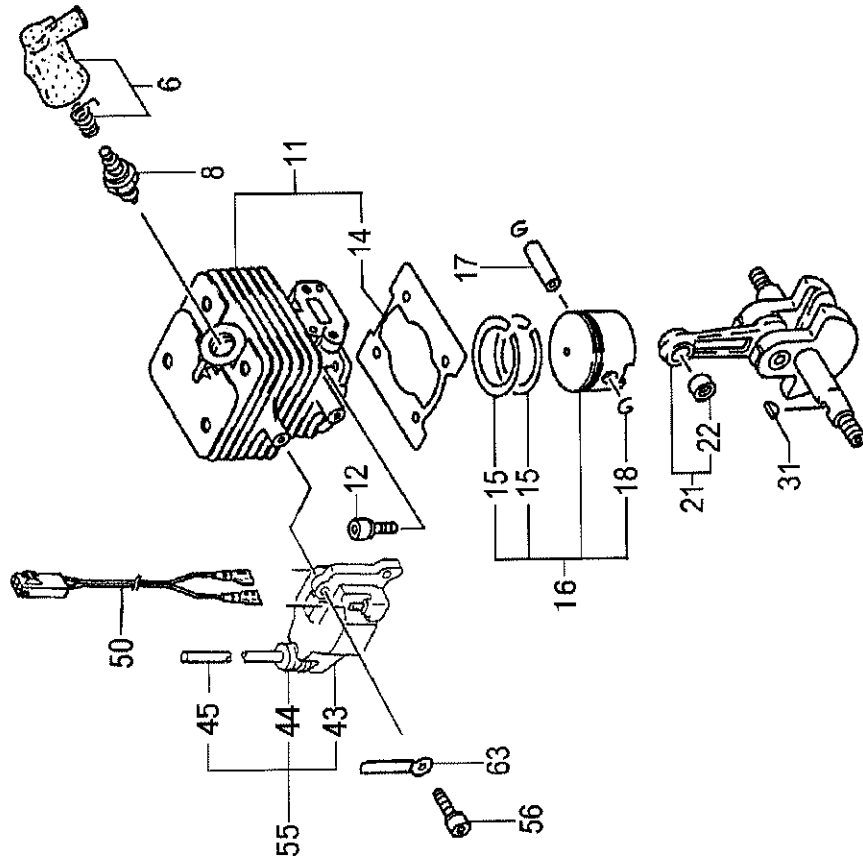
B40

CG40EJ(T)

Serial No.

B40-01

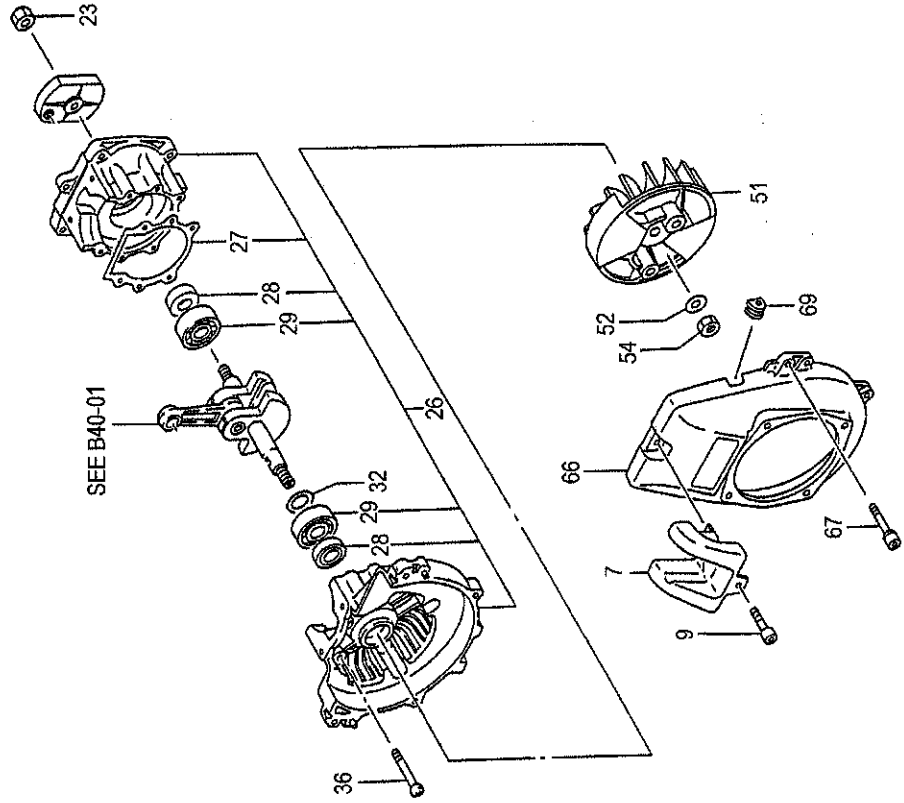
CG40EJ(T) CYLINDER/PISTON/CRANK SHAFT



REF. NUMBER	PARTS NUMBER	DESCRIPTION	Q'TY	SERIAL NUMBER
006	668-746	SPARK PLUG CAP ASSY	1	
008	668-508	SPARK PLUG BPMR6A	1	
011	668-547	CYLINDER SET	1	
012	668-466	HEX.HOLE BOLT M5X20/S	4	
014	668-574	CYLINDER GASKET	1	
015	668-612	PISTON RING	2	
016	668-588	PISTON SET	1	
017	668-600	PISTON PIN 10X30	1	
018	668-603	PISTON PIN CIRCLIP	2	
021	668-619	CRANK SHAFT COMP.	1	
022	669-559	NEEDLE BRG F1010B 1.4X8.6	1	
031	668-645	WOOD-RUFF KEY 3X13X5	1	
043	668-765	IGNITION COIL COMP.	1	
044	668-460	RUBBER CAP	1	
045	668-788	HIGHT TENSION CORD	1	
050	668-797	LEAD WIRE ASSY	1	
055	668-765	IGNITION COIL ASSY	1	
056	668-459	HEX.HOLE BOLT M4X18/WS	2	
063	668-801	CORD CLAMP COMP.	1	

B40-02

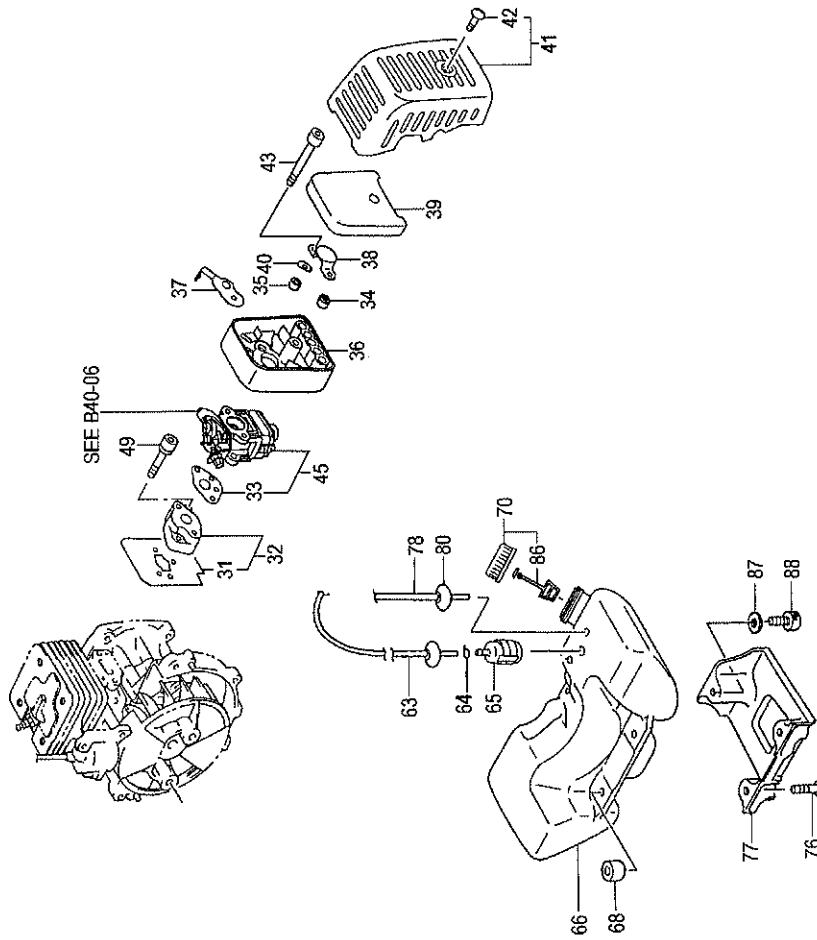
CG40EJ(T) CRANK CASE



REF. NUMBER	PARTS NUMBER	DESCRIPTION	Q'TY	SERIAL NUMBER
007	668-834	SPARK PLUG COVER	1	
009	668-463	HEX.HOLE BOLT 5X20/PS	1	
023	669-513	SMALL NUT 10	1	
026	668-655	CRANK CASE ASSY	1	
027	668-671	CRANK CASE GASKET	1	
028	669-563	OIL SEAL UD15257	2	
029	669-555	BALL BEARING #6202, 35MM/OD	2	
032	668-647	CRANK SHAFT SHIM 0.20	V	
032	668-647	CRANK SHAFT SHIM 0.30	V	
036	668-478	HEX. SOCKET HD. BOLT M5X30	4	
051	668-737	MAGNETO ROTOR COMP.	1	
052	669-519	WASHER 10	1	
054	669-513	NUT 10	1	
066	668-698	FAN CASE	1	
067	668-466	HEX.HOLE BOLT M5X20/S	4	
069	668-805	PRIMARY CORD GROMMET	1	

B40-03

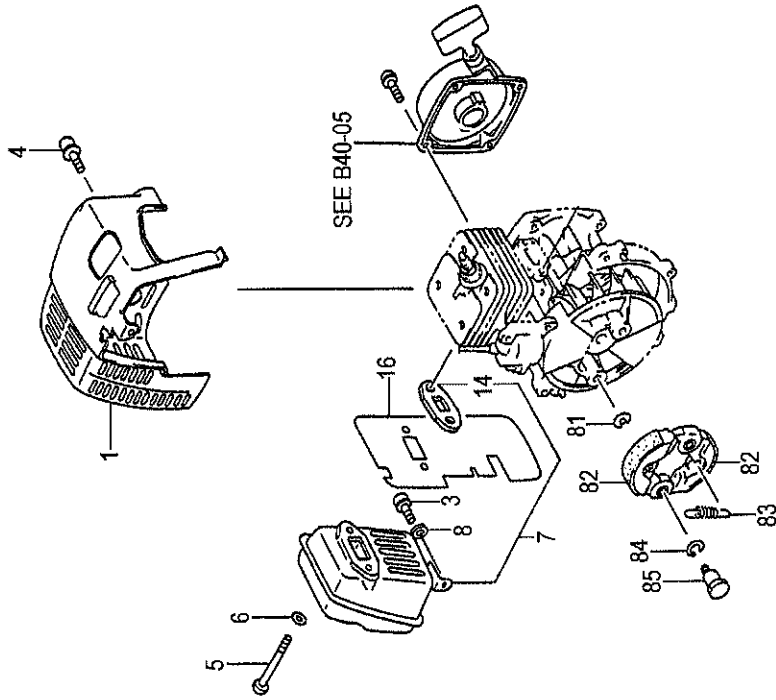
CG40EJ(T) ENGINE-1



REF. NUMBER	PARTS NUMBER	DESCRIPTION	QTY	SERIAL NUMBER
031	668-988	INLET MANIFOLD GASKET	1	
032	668-995	CARB.INSULATOR SET, SPARE	1	
033	668-983	CARBURETOR GASKET	1	
034	669-043	COLLAR	1	
035	669-080	COLLAR	1	
036	669-009	CLEANER BODY COMP.	1	
037	669-125	CHOKE VALVE	1	
038	669-084	BLOW OVER CHECK BOARD	1	
039	669-035	CLEANER ELEMENT 6T	2	
040	668-465	WAVE WASHER 8	1	
041	669-039	CLEANER COVER ASS'Y	1	
042	668-973	SPECIAL SCREW	1	
043	669-535	SCREW 5X57/S	2	
045	669-047	CARBURETOR SET WYJ389	1	
049	669-551	HEX. HOLE BOLT 5X25WS	2	
063	668-816	FUEL PIPE ASSY 3X5X180	1	
064	668-461	CLIP,6.3 DIA.	1	
065	669-227	PUMP FILTER BODY ASSY	1	
066	669-153	TANK	1	
068	668-462	COLLAR C	3	
070	669-171	TANK CAP D ASS'Y,ORANGE	1	
076	668-463	HEX.HOLE BOLT 5X20/PS	2	
077	669-478	ENGINE BED	1	
078	668-488	FUEL PIPE 3X5X80	1	
080	668-815	FUEL PIPE GROMMET	1	
086	668-462	TANK CAP CHAIN	1	
087	668-491	WASHER M5	1	
088	669-549	HEX. HOLE BOLT 5X22/S	1	

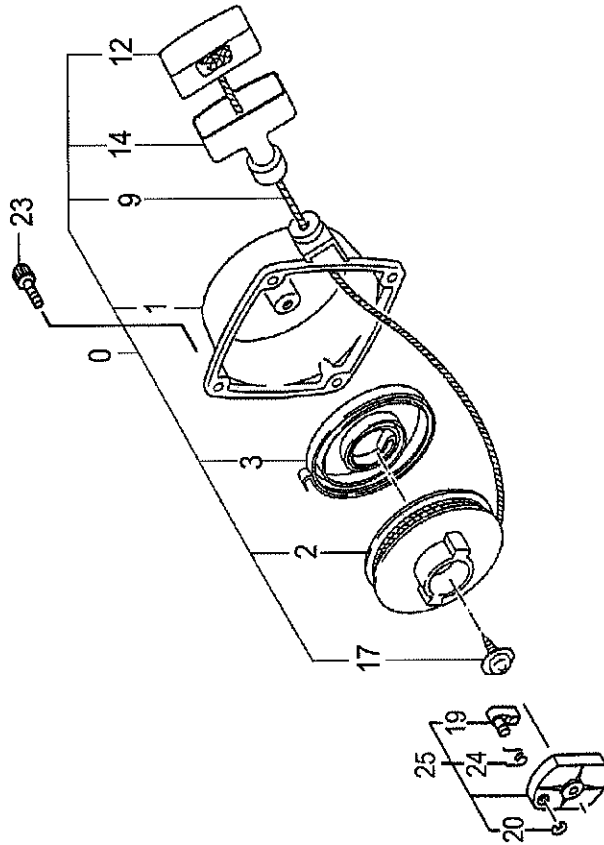
B40-04

CG40EJ(T) ENGINE-2



REF. NUMBER	PARTS NUMBER	DESCRIPTION	Q'TY	SERIAL NUMBER
001	669-278	MUFFLER PROTECTOR	1	
003	668-466	HEX.HOLE BOLT M5X12/S	1	
004	669-551	HEX. HOLE BOLT 5X15WS	1	
005	669-506	HEX.HOLE BOLT 6X65	2	
006	668-463	WASHER 6	2	
007	669-246	MUFFLER SET P/N	1	
008	668-491	WASHER M5	1	
014	669-274	MUFFLER GASKET	1	
016	668-724	HEAT SHIELD	1	
081	668-964	CLUTCH WASHER B	2	
082	668-861	CLUTCH ARM COMP.	2	
083	668-942	CLUTCH SPRING	1	
084	669-520	WAVE WASHER 10	2	
085	668-963	CLUTCH STEP BOLT	2	

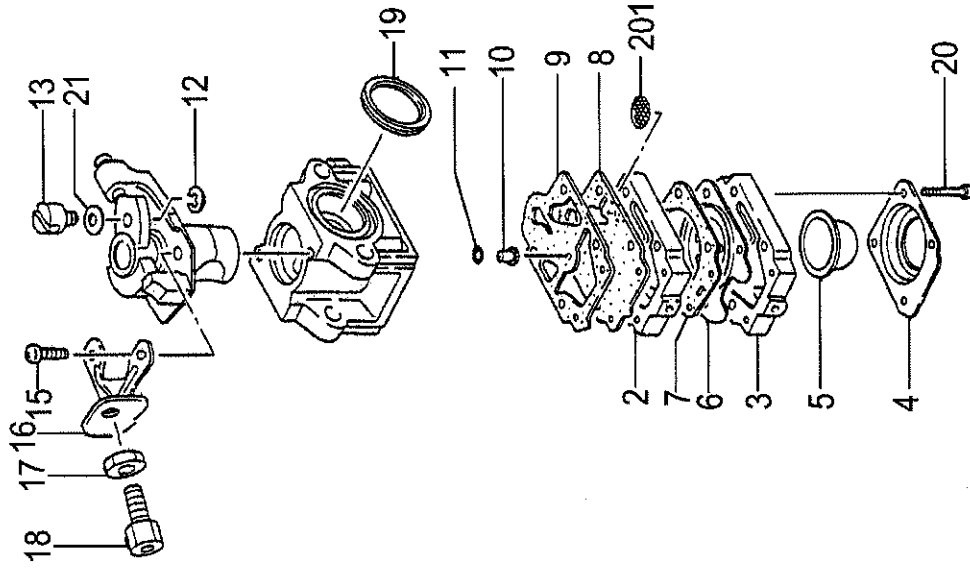
B40-05 CG40EJ(T) RECOIL STARTER



REF. NUMBER	PARTS NUMBER	DESCRIPTION	Q'TY	SERIAL NUMBER
000	669-297	RECOIL STARTER BODY AS	1	
001	669-302	RECOIL STARTER BODY CO	1	
002	669-300	STARTER ROPE REEL	1	
003	669-311	RECOIL SPRING	1	
009	669-316	STARTER ROPE	1	
012	669-360	STARTER HANDLE CAP	1	
014	669-323	STARTER HANDLE	1	
017	669-363	SET SCREW	1	
019	669-330	STARTER PAWL	1	
020	668-468	STOP RING E-5	1	
023	668-463	HEX.HOLE BOLT 5X20/PS	4	
024	669-334	STARTER PAWL SPRING	1	
025	669-339	STARTER PULLEY	1	

B40-06

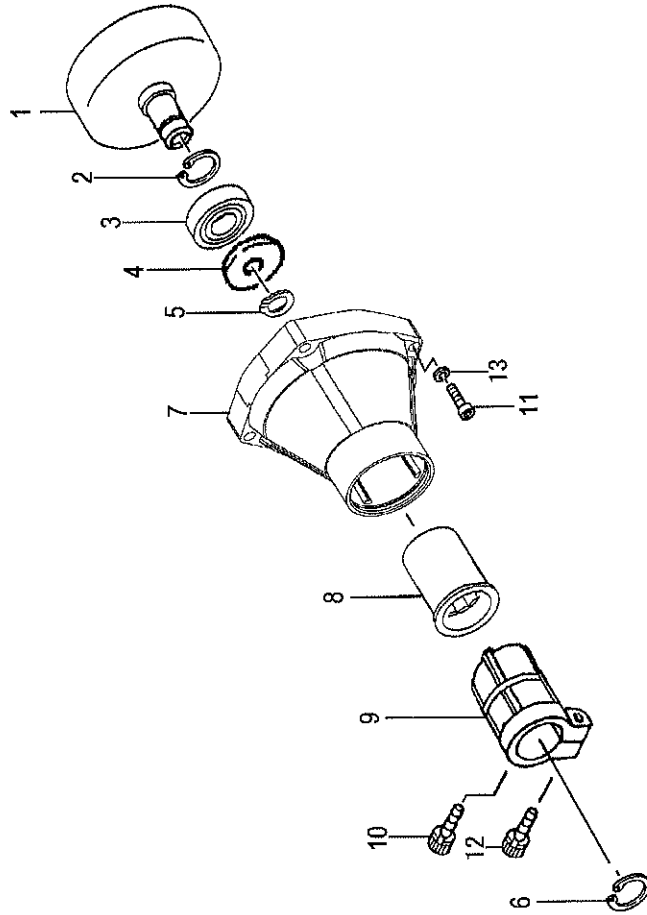
CG40EJ(T) CARBURETOR



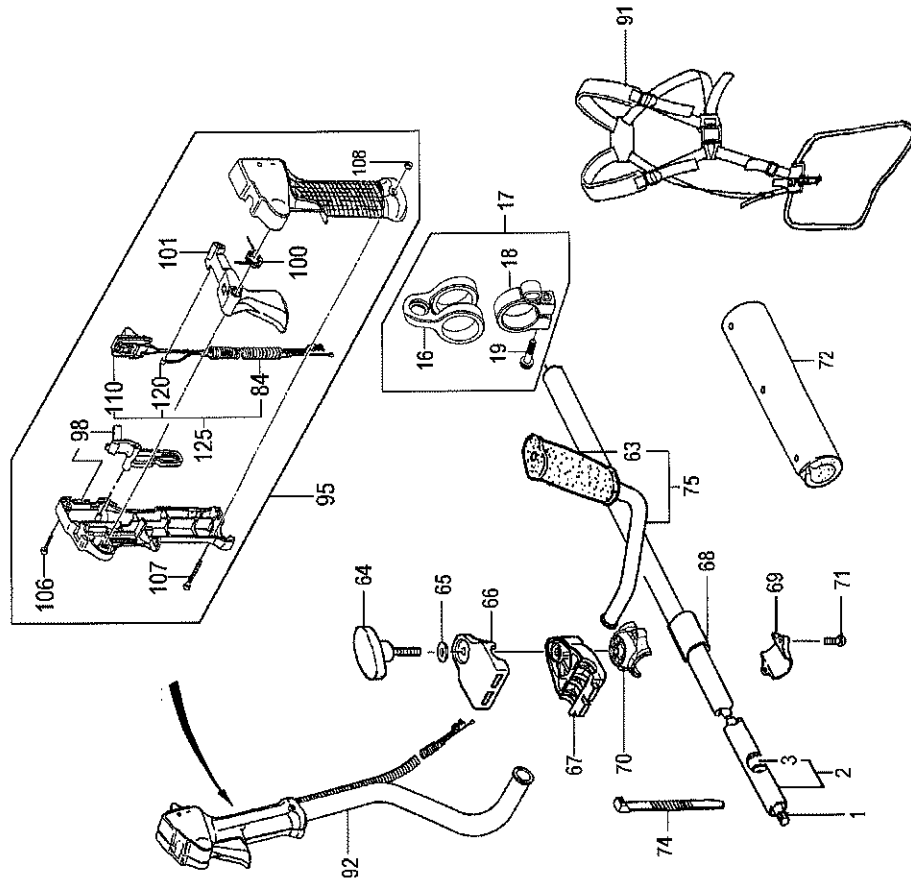
REF. NUMBER	PARTS NUMBER	DESCRIPTION	Q'TY	SERIAL NUMBER
002	668-487	PUMP BODY COMP.	1	
003	668-468	PRIMING PUMP COMP.	1	
004	668-468	DIAPHRAGM COVER	1	
005	668-468	PRIMING BODY	1	
006	669-082	METERING DIAPHRAGM CO	1	
007	668-469	DIAPHRAGM GASKET	1	
008	668-469	PUMP DIAPHRAGM	1	
009	669-145	PUMP GASKET	1	
010	669-638	MAIN JET #51	1	
011	668-469	O-RING	1	
012	668-469	STOP RING	1	
013	668-469	SWIVEL	1	
015	668-487	THROTTLE SET SCREW	2	
016	668-487	CABLE ADJUSTER STAY	1	
017	669-200	CABLE ADJUST NUT	1	
018	668-487	CABLE ADJUSTER	1	
019	668-487	CLEANER PACKING	1	
020	668-469	SET SCREW	4	
021	668-487	THRUST WASHER	1	
201	668-470	INLET SCREEN	1	

B40-07

CG40EJ(T) CLUTCH CASE



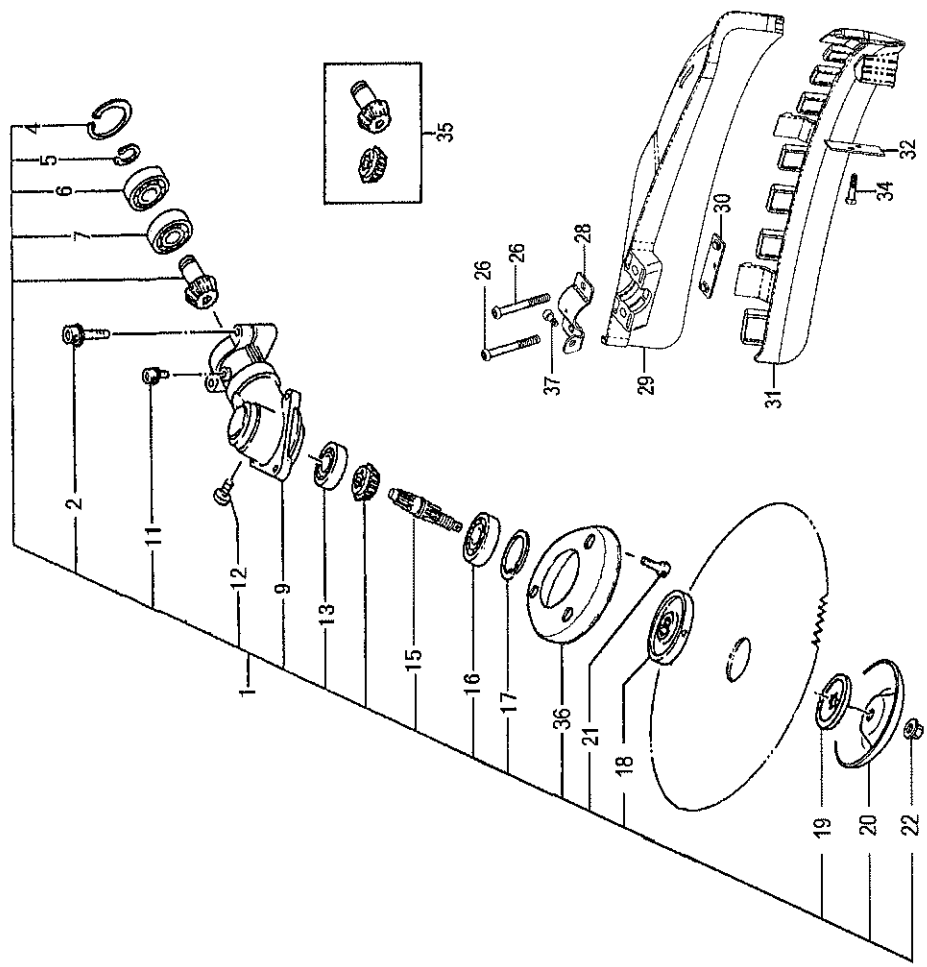
REF. NUMBER	PARTS NUMBER	DESCRIPTION	Q'TY	SERIAL
001	668-860	CLUTCH SHAFT COMP.	1	
002	669-529	STOP RING C-32, INNER	1	
003	669-553	BALL BEARING #6002ZZ, 32	1	
004	668-918	WASHER	1	
005	669-528	STOP RING C-15, OUTER	1	
006	669-530	STOP RING C-45, OUTER	1	
007	668-922	CLUTCH CASE	1	
008	669-190	CUSHION RUBBER	1	
009	668-966	PIPE HOLDER	1	
010	669-504	HEX. HOLE BOLT 5X10	1	
011	669-508	HEX HOLE SCREW 6X30	4	
012	669-549	HEX.HOLE BOLT 6X30/S	1	
013	668-482	S.WASHER 6	4	



REF. NUMBER	PARTS NUMBER	DESCRIPTION	QTY	SERIAL NUMBER
001	668-947	DRIVE SHAFT 1542L	1	
002	668-940	DRIVE SHAFT PIPE COMP.	1	
003	668-952	BUSH ASSY	7	
016	668-927	HANGER	1	
017	668-927	LIFTING METAL ASSY	1	
018	668-929	HANGER FIXING BRACKET	1	
019	669-551	HEX. HOLE BOLT 5X25WS	1	
063	668-470	HANDLE GRIP	1	
064	669-120	HANDLE KNOB COMP.	1	
065	669-295	MOUNTING WASHER 1.0	1	
066	669-114	HANDLE BRACKET A	1	
067	669-115	HANDLE BRACKET B	1	
068	669-119	CUSHION RUBBER	1	
069	669-117	HANDLE BRACKET C	1	
070	669-116	HANDLE BRACKET B	1	
071	669-551	HEX. HOLE BOLT 5X25WS	2	
072	668-929	HIP PAD	1	
074	668-802	CORD CLAMP	2	
075	669-108	HANDLE LEFT ASSY	2	
084	668-754	PROTECTION TUBE	1	
091	669-287	SHOULDER BELT ASSY,D3	1	
092	669-108	RIGHT HANDLE	1	
095	669-376	THROTTLE LEVER ASSY 19	1	
098	668-472	SAFETY LEVER	1	
100	668-472	RETURN SPRING	1	
101	668-472	THROTTLE LEVER	1	
106	668-472	SCREW M4X20 (BLACK)	2	
107	668-472	SCREW 5X30 (BLACK)	1	
108	668-472	CONTAL NUT 5	1	
110	668-746	STOP SWITCH	1	
120	669-402	THROTTLE WIRE	1	
125	669-398	THROTTLE WIRE COMP.	1	

B40-09

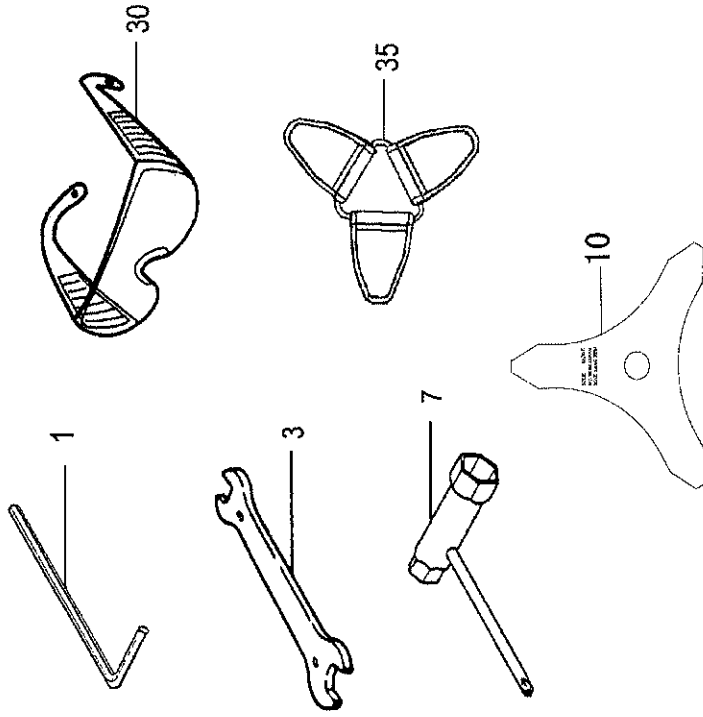
CG40EJ(T) GEAR CASE



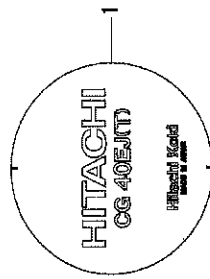
REF. NUMBER	PARTS NUMBER	DESCRIPTION	Q'TY	SERIAL NUMBER
001	668-879	GEAR CASE ASSY 28 DIA	1	
002	668-470	HEX HOLE BOLT M5X25/S	2	
004	668-474	STOP RING C-28, INNER	1	
005	668-466	STOP RING C-12 OUTER	1	
006	669-553	BALL BEARING #6001Z, 28MM/OD	1	
007	669-553	BALL BEARING #6001, 28MM/OD	1	
009	668-879	GEAR CASE	1	
011	669-551	HEX HOLE BOLT 5X12	1	
012	669-497	BOLT 6X8	1	
013	669-553	BALL BEARING #6001, 28MM/OD	1	
015	668-894	GEAR SHAFT L-M10X1.25	1	
016	669-629	BALL BEARING #6202DD, 35MM/OD	1	
017	669-529	STOP RING C-35, INNER	1	
018	668-902	CUTTER HOLDER	1	
019	668-905	CUTTER HOLDER CAP	1	
020	668-899	PROTECTION COVER B	1	
021	669-551	HEX HOLE BOLT 5X14	3	
022	668-906	FIXING NUT L-M10X1	1	
026	669-508	HEX HOLE SCREW 6X30	2	
028	669-031	SAFETY GUARD BRACKET	1	
029	669-026	SAFETY COVER	1	
030	669-034	SAFETY COVER HOLDER	1	
031	669-037	COVER GUARD	1	
032	669-338	KNIFE	1	
034	668-475	TAPPING SCREW 5X20	1	
035	668-887	GEAR PINION SET, SPARE	1	
036	668-891	GEAR CASE COVER	1	
037	669-507	HEX HOLE BUTTON SCREW 6X10	1	

B40-10

CG40EJ(T) TOOLS



REF. NUMBER	PARTS NUMBER	DESCRIPTION	Q'TY	SERIAL NUMBER
001	669-352	HEX. WRENCH 4	1	
003	669-342	SPANNER 8X10	1	
007	669-357	COMBI,BOX WRENCH 17X1	1	
010	669-350	CUTTING BLADE 3TX305XT	1	
030	668-476	SAFETY GLASSES	1	
035	669-201	CUTTER COVER	1	



REF. NUMBER	PARTS NUMBER	DESCRIPTION	QTY	SERIAL NUMBER
001	669-415	NAME PLATE CG40EJ(T)	1	
002	669-462	SYMBOL MARK CG40EJ(T)	1	
008	668-485	CAUTION MARK 9900RPM	1	