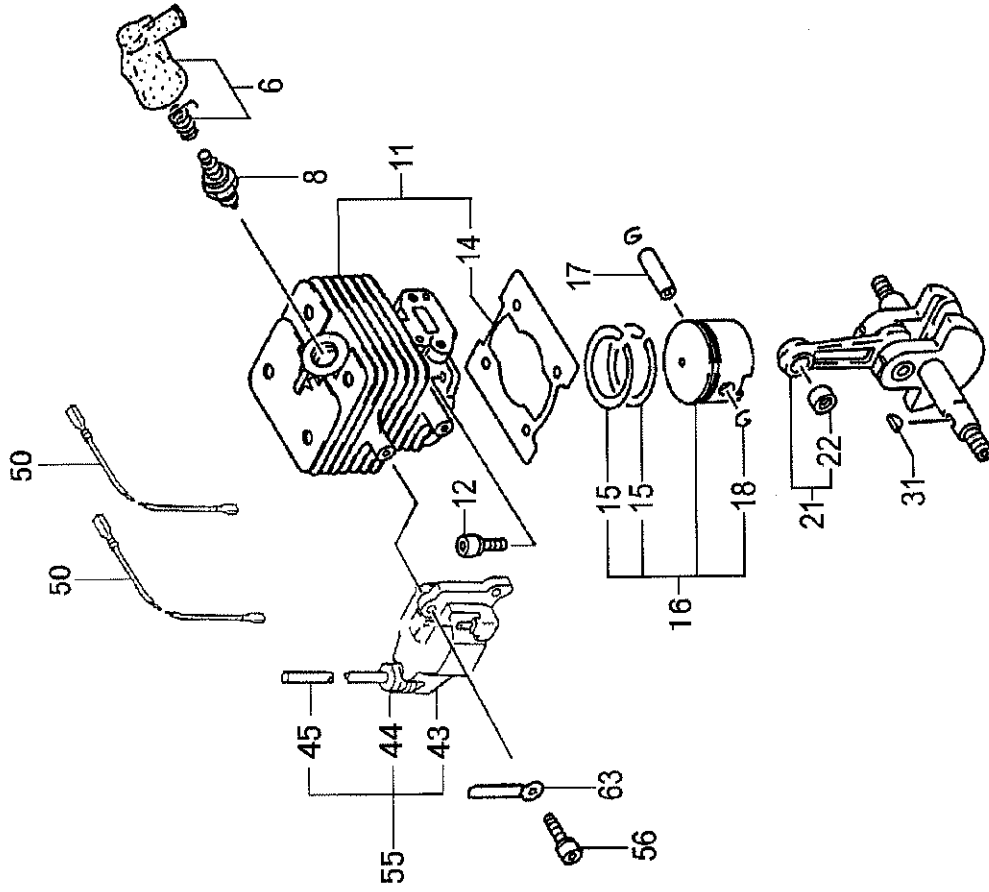


B45

CG40EF(L)

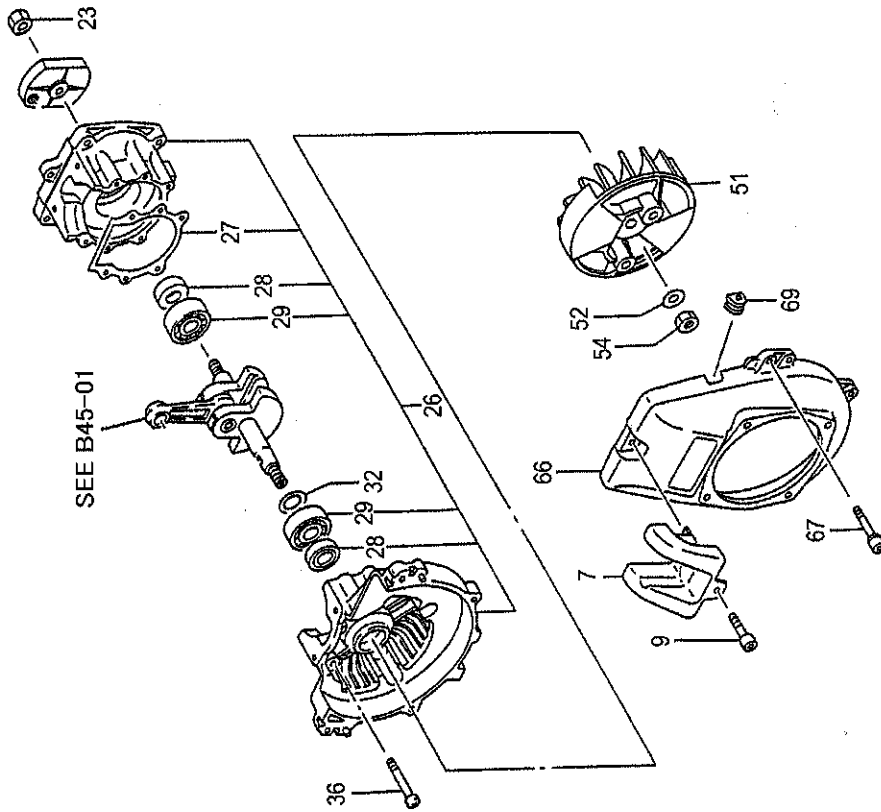
Serial No.

B45-01 CG40EF(L) CYLINDER/PISTON/CRANK SHAFT



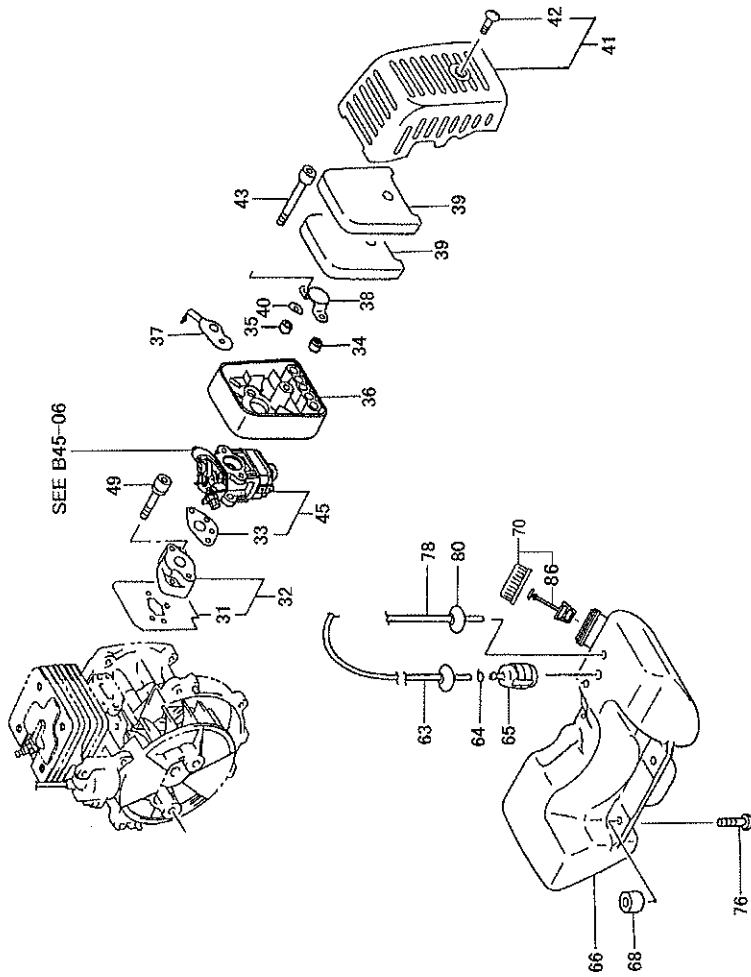
REF. NUMBER	PARTS NUMBER	DESCRIPTION	QTY	SERIAL NUMBER
006	668-7466	SPARK PLUG CAP ASS'Y	1	
008	668-5086	SPARK PLUG BPMR6A	1	
011	668-5474	CYLINDER SET	1	
012	668-4668	HEX.HOLE BOLT M5X20/S	4	
014	668-5740	CYLINDER GASKET	1	
015	668-6123	PISTON RING	2	
016	668-5888	PISTON SET	1	
017	668-6007	PISTON PIN 10X30	1	
018	668-6032	PISTON PIN CIRCLIP	2	
021	668-6191	CRANK SHAFT COMP.	1	
022	669-5596	NEEDLE BRG F1010B 1.4X8	1	
031	668-6457	WOOD-RUFF KEY 3X13X5	1	
043	668-7655	IGNITION COIL COMP.	1	
044	668-4602	RUBBER CAP	1	
045	668-7885	HIGHT TENSION CORD	1	
050	668-7853	SPECIAL CORD B190M	2	
055	668-7657	IGNITION COIL ASS'Y	1	
056	668-4599	HEX.HOLE BOLT M4X18/WS	2	
063	668-8011	CORD CLAMP COMP.	1	

B45-02 CG40EF(L) CRANK CASE



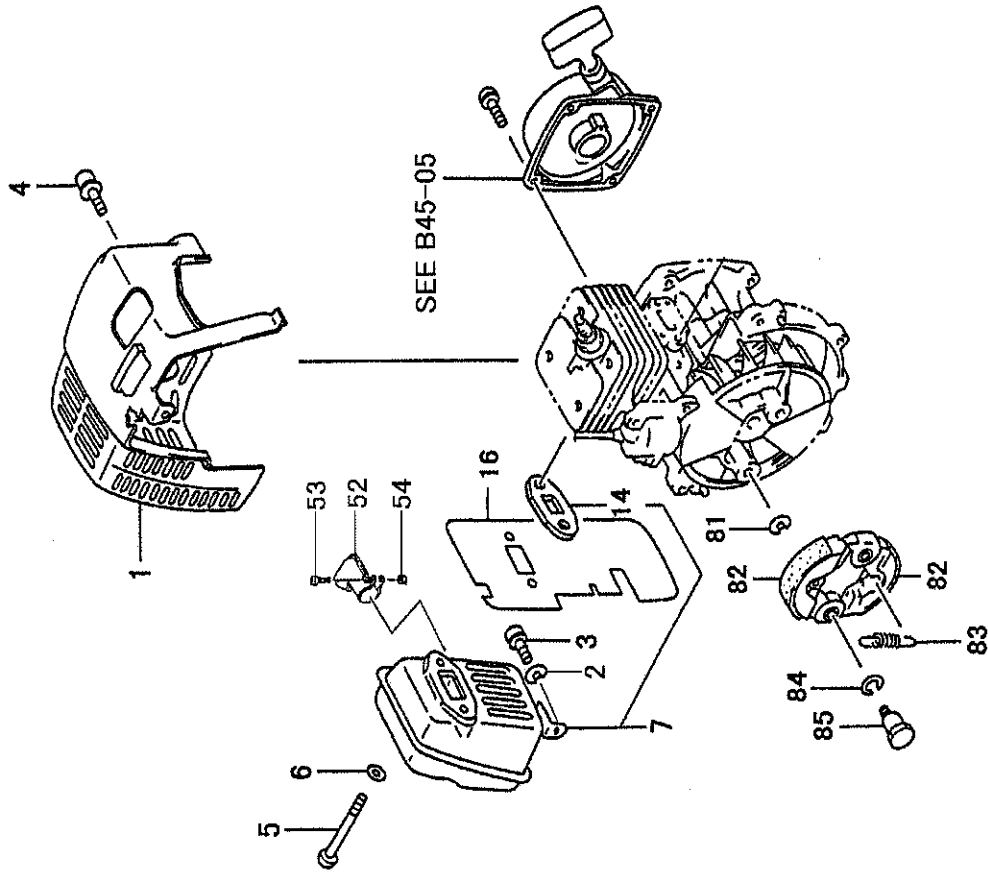
REF. NUMBER	PARTS NUMBER	DESCRIPTION	Q'TY	SERIAL NUMBER
007	668-8346	SPARK PLUG COVER	1	
009	668-4634	HEX.HOLE BOLT 5X20/PS	1	
023	669-5139	SMALL NUT 10	1	
026	668-6556	CRANK CASE ASSY	1	
027	668-6714	CRANK CASE GASKET	1	
028	669-5637	OIL SEAL UD15257	2	
029	669-5557	BALL BEARING #6202, 35MM/OD	2	
032	668-6472	CRANK SHAFT SHIM 0.20	V	
032	668-6473	CRANK SHAFT SHIM 0.30	V	
036	668-4786	HEX. SOCKET HD. BOLT M5X30 S	4	
051	668-7372	MAGNETO ROTOR COMP.	1	
052	669-5198	WASHER 10	1	
054	669-5138	NUT 10	1	
066	668-6982	FAN CASE	1	
067	668-4668	HEX.HOLE BOLT M5X20/S	2	
069	668-8057	PRIMARY CORD GROMMET	1	

B45-03 CG40EF(L) ENGINE-1



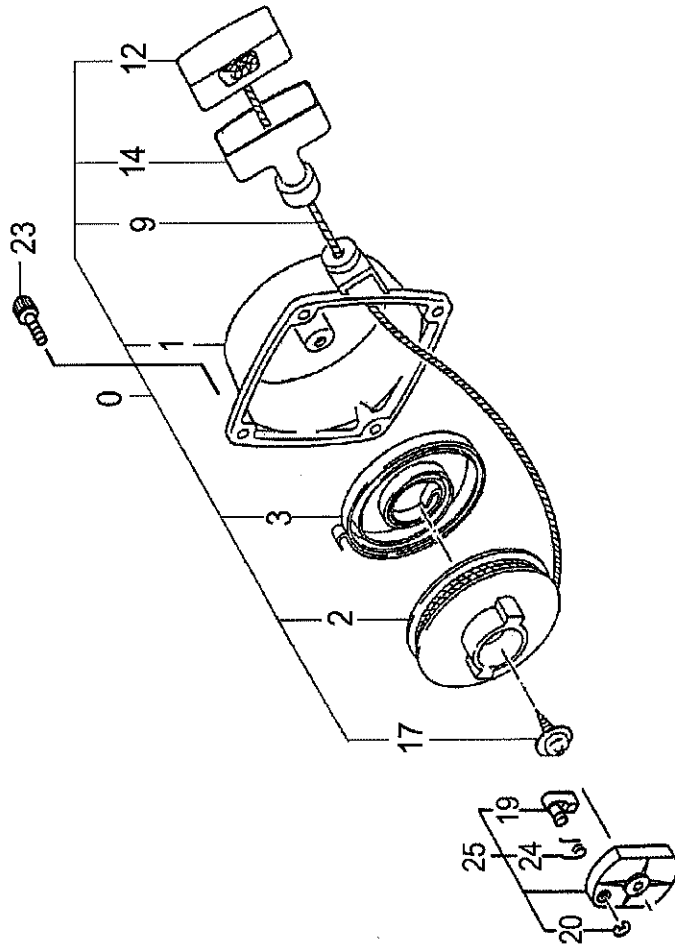
REF. NUMBER	PARTS NUMBER	DESCRIPTION	Q'TY	SERIAL NUMBER
031	668-9884	INLET MANIFOLD GASKET	1	
032	668-9954	CARB.INSULATOR SET, SP7	1	
033	668-9833	CARBURETOR GASKET	1	
034	669-0436	COLLAR	1	
035	669-0802	COLLAR	1	
036	669-0094	CLEANER BODY COMP.	1	
037	669-1254	CHOKE VALVE	1	
038	669-0841	BLOW OVER CHECK BOAR	1	
039	669-0354	CLEANER ELEMENT 6T	2	
040	668-4654	WAVE WASHER 8	1	
041	669-0394	CLEANER COVER ASSY	1	
042	668-9734	SPECIAL SCREW	1	
043	669-5354	SCREW 5X57/S	2	
045	669-0474	CARBURETOR SET WYJ389	1	
049	669-5514	HEX. HOLE BOLT 5X25WS	2	
063	668-8164	FUEL PIPE ASS'Y 3X5X180	1	
064	668-4614	CLIP,6.3 DIA.	1	
065	669-2274	PUMP FILTER BODY ASSY	1	
066	669-1534	TANK	1	
068	669-2244	COLLAR 5.8	3	
070	669-1714	TANK CAP D ASSY,ORANG	1	
076	669-5504	HEX. HOLE BOLT 5X18PS	3	
078	668-4884	FUEL PIPE 3X5X80	1	
080	668-8154	FUEL PIPE GROMMET	1	
086	668-4624	TANK CAP CHAIN	1	

B45-04 CG40EF(L) ENGINE-2



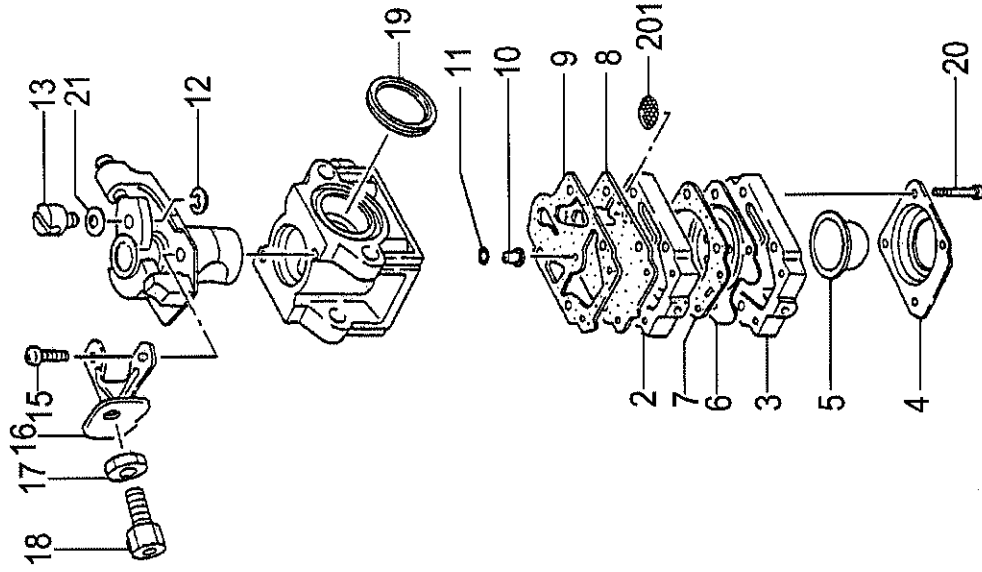
REF. NUMBER	PARTS NUMBER	DESCRIPTION	Q'TY	SERIAL NUMBER
001	669-2786	MUFFLER PROTECTOR	1	
002	668-4911	WASHER M5	1	
003	668-466	HEX.HOLE BOLT M5X12/S	1	
004	669-5511	HEX. HOLE BOLT 5X15WS	1	
005	669-506	HEX.HOLE BOLT 6X65	2	
006	668-463	WASHER 6	2	
007	669-246	MUFFLER SET	1	
014	669-2741	MUFFLER GASKET	1	
016	668-7241	HEAT SHIELD	1	
052	669-259	TAIL PIPE COMP.	1	
053	669-486	SCREW 4X12	1	
054	668-506	NUT M4	1	
081	668-964	CLUTCH WASHER B	2	
082	668-861	CLUTCH ARM COMP.	2	
083	668-942	CLUTCH SPRING	1	
084	669-520	WAVE WASHER 10	2	
085	668-963	CLUTCH STEP BOLT	2	

B45-05 CG40EF(L) RECOIL STARTER

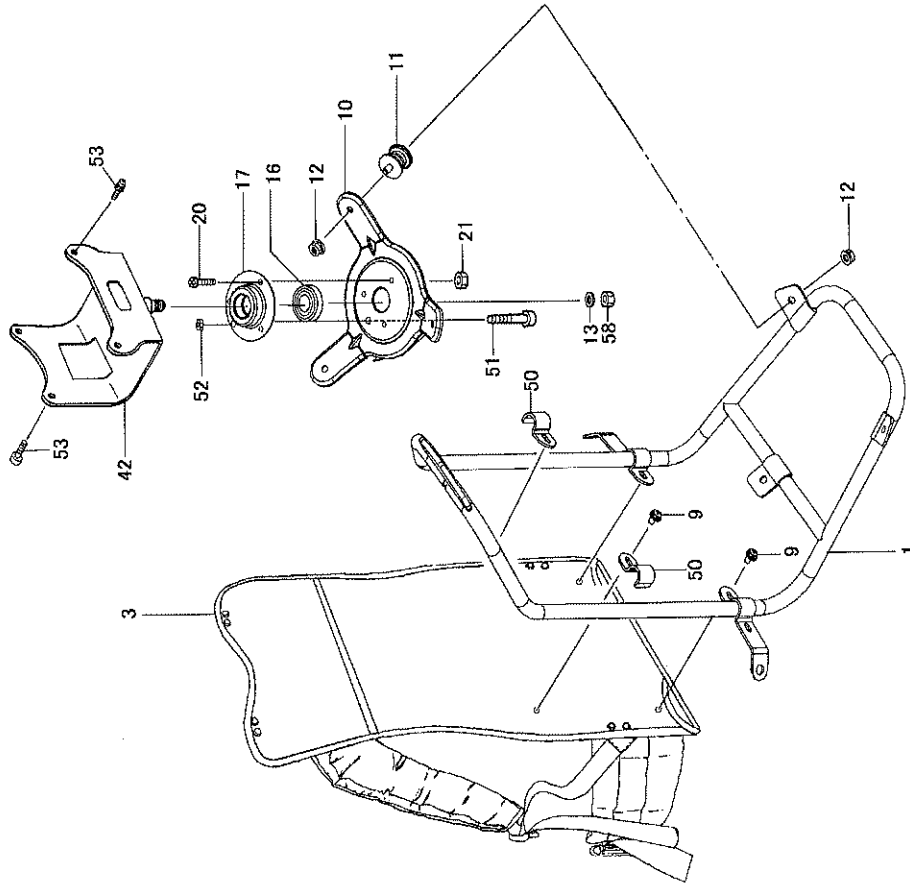


REF. NUMBER	PARTS NUMBER	DESCRIPTION	QTY	SERIAL NUMBER
000	669-297	RECOIL STARTER BODY AS	1	
001	669-302	RECOIL STARTER BODY CO	1	
002	669-300	STARTER ROPE REEL	1	
003	669-311	RECOIL SPRING	1	
009	669-316	STARTER ROPE	1	
012	669-360	STARTER HANDLE CAP	1	
014	669-323	STARTER HANDLE	1	
017	669-363	SET SCREW	1	
019	669-330	STARTER PAWL	1	
020	668-468	STOP RING E-5	1	
023	668-463	HEX.HOLE BOLT 5X20/PS	2	
024	669-334	STARTER PAWL SPRING	1	
025	669-339	STARTER PULLEY	1	

B45-06 CG40EF(L) CARBURETOR

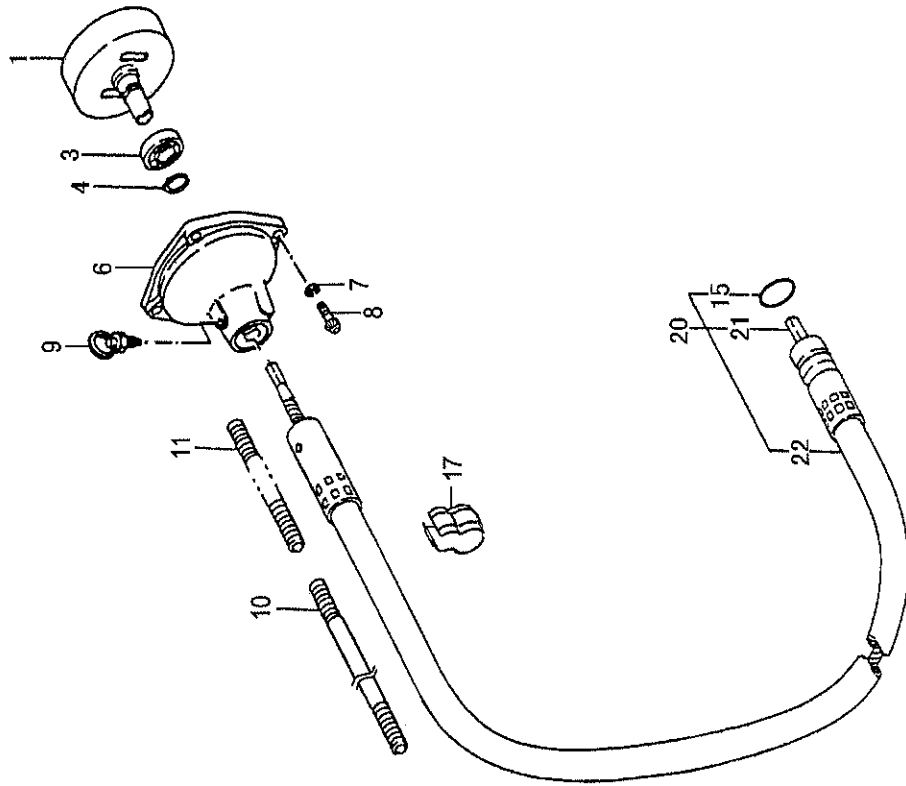


REF. NUMBER	PARTS NUMBER	DESCRIPTION	Q'TY	SERIAL NUMBER
002	668-487	PUMP BODY COMP.	1	
003	668-468	PRIMING PUMP COMP.	1	
004	668-468	DIAPHRAGM COVER	1	
005	668-468	PRIMING BODY	1	
006	669-082	METERING DIAPHRAGM COMP.	1	
007	668-469	DIAPHRAGM GASKET	1	
008	668-469	PUMP DIAPHRAGM	1	
009	669-145	PUMP GASKET	1	
010	669-638	MAIN JET #51	1	
011	668-469	O-RING	1	
012	668-469	STOP RING	1	
013	668-469	SWIVEL	1	
015	668-487	THROTTLE SET SCREW	2	
016	668-487	CABLE ADJUSTER STAY	1	
017	669-200	CABLE ADJUST NUT	1	
018	668-487	CABLE ADJUSTER	1	
019	668-487	CLEANER PACKING	1	
020	668-469	SET SCREW	4	
021	668-487	THRUST WASHER	1	
201	668-470	INLET SCREEN	1	

B45-07**CG40EF(L) FRAME**

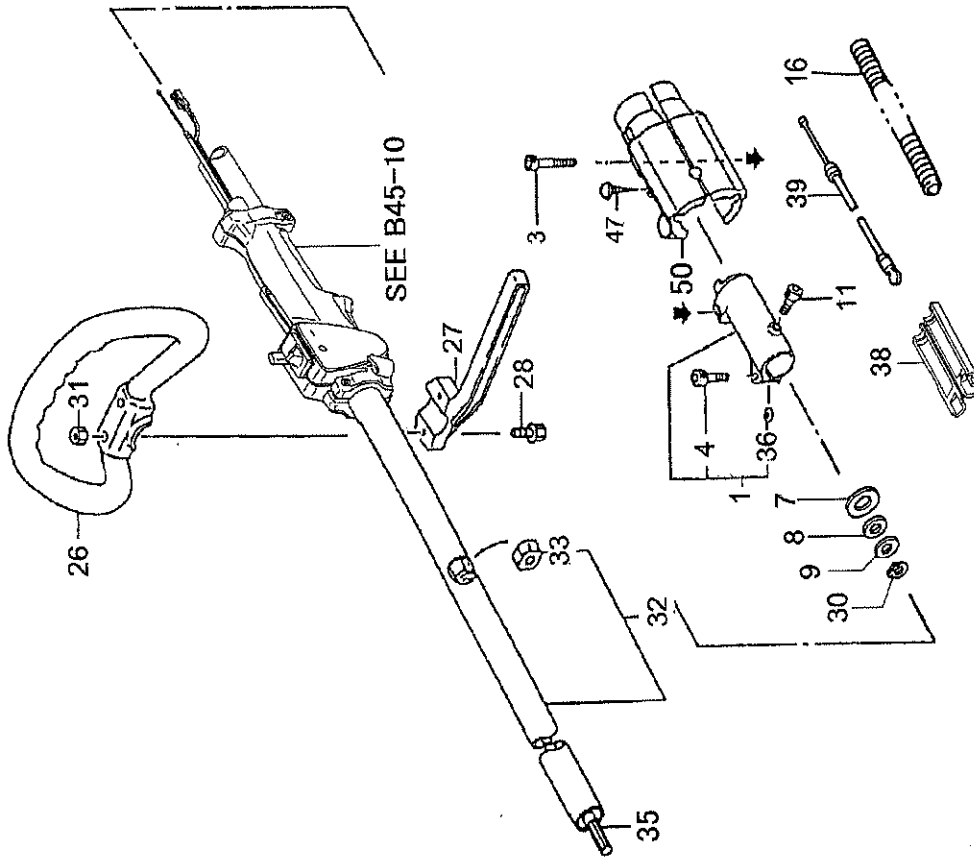
REF. NUMBER	PARTS NUMBER	DESCRIPTION	QTY	SERIAL NUMBER
001	668-8276	SHOULDER FRAME COMP	1	
003	669-2872	SHOULDER BELT ASSY	1	
009	669-5380	SCREW 5X10/PS	4	
010	668-8149	ENGINE BASE	1	
011	668-9125	CUSHION RUBBER COMP.	3	
012	669-5170	FLANGE NUT 6	6	
013	668-4611	WASHER M8	1	
016	669-5558	BALL BEARING #6202ZZ, 35MM/OD	1	
017	668-9768	BEARING HOLDER	1	
020	669-5438	BOLT 5X10/S	3	
021	668-4965	NUT M5	3	
042	668-8131	ENGINE BASE COMP.	1	
050	668-8304	SHOULDER PLATE HOLDER B.	2	
051	669-6295	BOLT 6X25	1	
052	669-5170	FLANGE NUT 6	1	
053	668-4668	HEX.HOLE BOLT M5X20/S	4	
058	669-5165	NYLON LOCK NUT 8	1	

B45-08 CG40EF(L) CLUTCH CASE/FLEXIBLE SHAFT



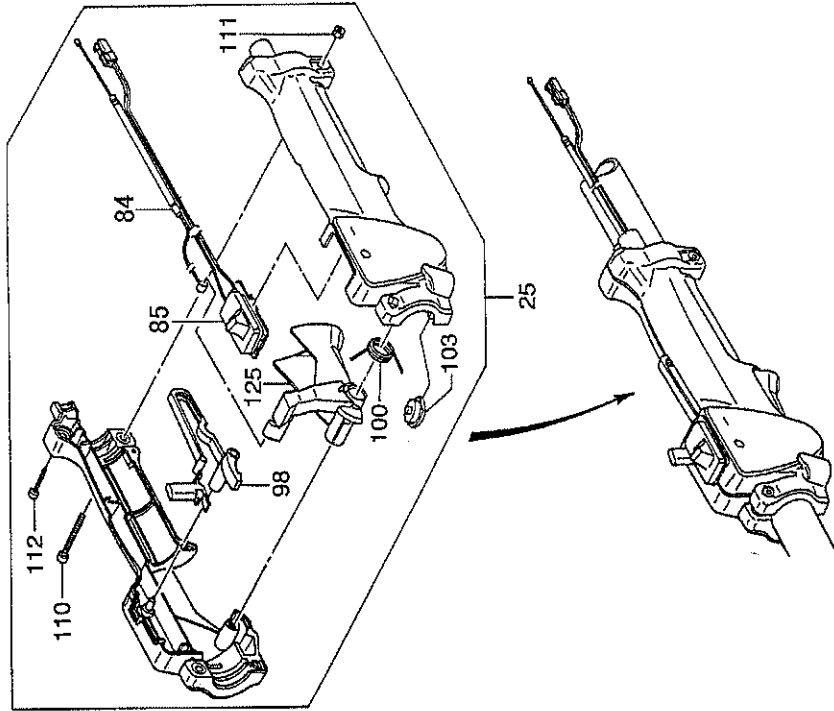
REF. NUMBER	PARTS NUMBER	DESCRIPTION	Q'TY	SERIAL NUMBER
001	668-9240	CLUTCH DRUM COMP.	1	
003	669-5558	BALL BEARING #620ZZ, 35	1	
004	669-5285	STOP RING C-15, OUTER	1	
006	668-9216	CLUTCH CASE	1	
007	668-4826	S.WASHER 6	4	
008	668-5064	HEX. SOCKET HD. BOLT (W	4	
009	668-9817	LOCK PIN COMP.	1	
010	668-7586	PROTECTION TUBE 10X700	1	
011	668-7632	PROTECTION TUBE 7X130L	1	
015	669-5672	O-RING P-18	1	
017	668-8016	CORD CLAMP	3	
020	668-9591	FLEXIBLE SHAFT ASS'Y	1	
021	668-9589	FLEXIBLE SHAFT COMP.	1	
022	668-9554	FLEXIBLE LINNER COMP.,8	1	

B45-09 CG40EF(L) OPERATION PIPE



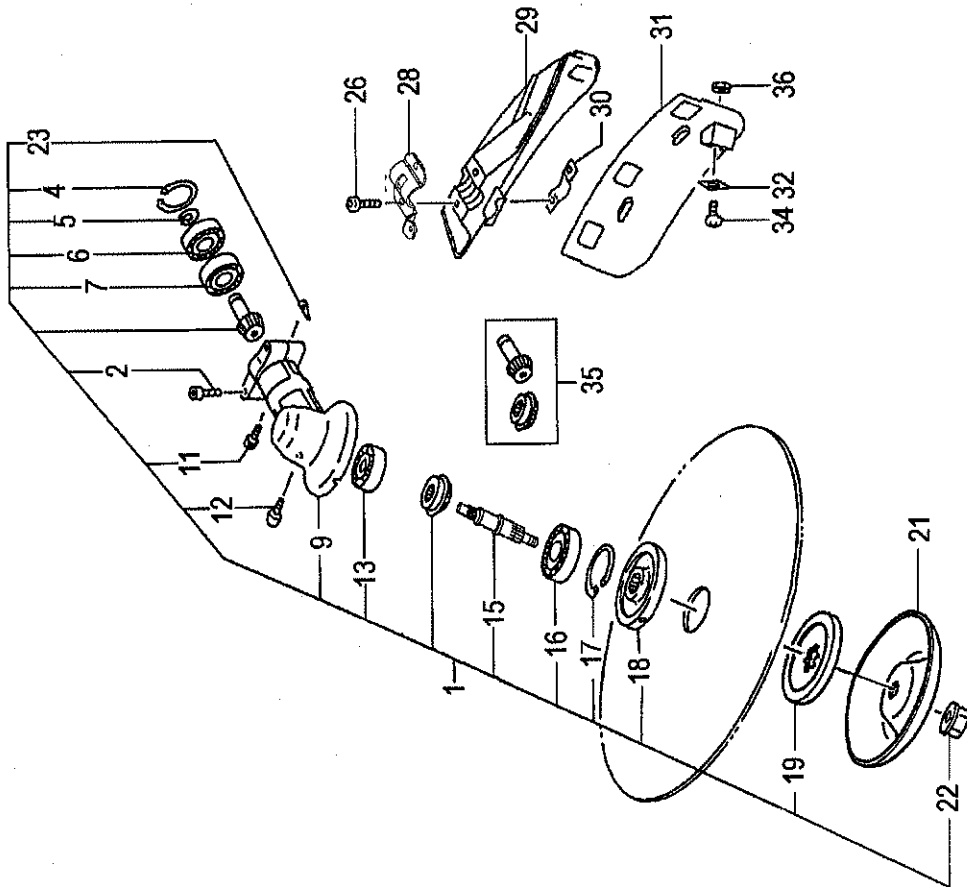
REF. NUMBER	PARTS NUMBER	DESCRIPTION	QTY	SERIAL NUMBER
001	668-8537	JOINT PIPE ASS'Y	1	
003	668-4709	HEX.HOLE BOLT M5X25/S	1	
004	669-5492	HEX. HOLE BOLT 5X22/S	1	
007	668-9138	SPACER	1	
008	668-4819	SPACER	1	
009	668-9638	CLUTCH WASHER A	1	
011	669-5042	HEX. HOLE BOLT 5X10	1	
016	668-7599	PROTECTION TUBE, 13X10	1	
026	669-1036	HANDLE	1	
027	669-1231	BARRIER, 26 DIA, BLACK	1	
028	668-4838	BOLT 6X43/P (BLACK)	2	
030	668-4821	STOP RING C-10, OUTER	1	
031	668-4835	HEX.NUT 6	2	
032	668-9346	DRIVE SHAFT COMP.	1	
033	668-9513	BUSHING ASS'Y	4	
035	668-9459	DRIVE SHAFT, 1507L	1	
036	669-2596	CHOKE SHIM 0.8	1	
038	669-4031	CONNECTOR CASE	1	
039	669-3905	THROTTLE WIRE	1	
047	668-5191	TAPPING SCREW D4.5X20	1	
050	668-8550	JOINT COVER	1	

B45-10 CG40EF(L) THROTTLE LEVER



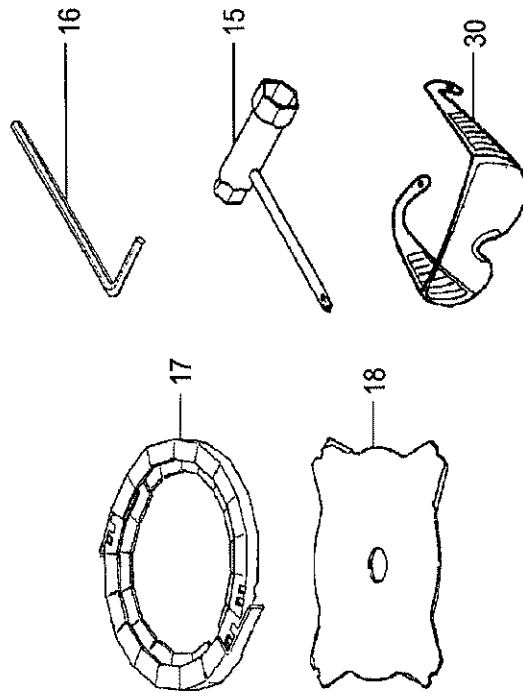
REF. NUMBER	PARTS NUMBER	DESCRIPTION	Q'TY	SERIAL NUMBER
025	669-3759	THROTTLE LEVER ASSY 26	1	
084	669-4019	THROTTLE WIRE	1	
085	668-7455	STOP SWITCH	1	
098	668-4721	SAFETY LEVER	1	
100	669-3599	RETURN SPRING	1	
103	668-4724	BLIND PLUG	1	
110	668-4803	SCREW M5X20	2	
111	668-4727	CONTAL NUT 5	2	
112	668-4725	SCREW M4X20 (BLACK)	4	
125	668-4804	THROTTLE LEVER	1	

B45-11 CG40EF(L) GEAR CASE



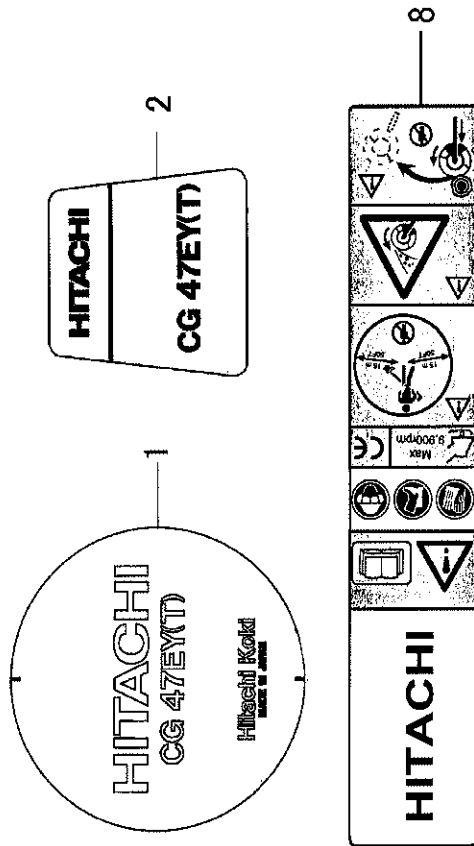
REF. NUMBER	PARTS NUMBER	DESCRIPTION	Q'TY	SERIAL NUMBER
001	668-8696	GEAR CASE ASS'Y, 26 DIA.	1	
002	668-4709	HEX.HOLE BOLT M5X25/S	2	
004	669-5294	STOP RING C-26, INNER	1	
005	669-5315	STOP RING OUTER 10	1	
006	669-5526	BALL BEARING #600Z, 26MM/OD	1	
007	669-5524	BALL BEARING #6000, 26MM/OD	1	
009	668-8770	GEAR CASE 26 DIA	1	
011	668-4667	HEX.HOLE BOLT M5X12/S	1	
012	668-9109	OILING BOLT	1	
013	668-4734	BALL BEARING 609	1	
015	668-8924	GEAR SHAFT	1	
016	669-5554	BALL BEARING 6201D, 32MM/OD	1	
017	669-5295	STOP RING C-32, INNER	1	
018	668-9032	CUTTER HOLDER	1	
019	668-9055	CUTTER HOLDER CAP	1	
021	668-8995	PROTECTION COVER B	1	
022	668-9073	FIXING NUT M10X1.25	1	
023	668-9160	GEAR CASE WASHER	1	
026	668-4714	HEX.HOLE BUTTON SCREW 6X25S	2	
028	669-0315	COVER BRACKET 26	1	
029	669-0242	BLADE GUARD 26 CE	1	
030	668-4748	SAFETY COVER HOLDER	1	
031	669-0372	COVER GUARD	1	
032	669-3386	KNIFE	1	
034	669-5334	SCREW 5X12/S	1	
035	668-8875	GEAR/PINION SET, SPARE	1	
036	668-4965	NUT M5	1	

B45-12 CG40EF(L) TOOLS



REF. NUMBER	PARTS NUMBER	DESCRIPTION	Q'TY	SERIAL NUMBER
015	668-476	BOX WRENCH (HEX. SOCKET 17/16)	1	
016	668-481	HEX. BAR WRENCH 4MM	1	
017	668-476	CUTTER COVER	2	
018	669-343	CUTTING BLADE 4TX255, TYPE M	1	
030	668-476	SAFETY GLASSES	1	

B45-13 CG40EF(L) LABELS



REF. NUMBER	PARTS NUMBER	DESCRIPTION	Q'TY	SERIAL NUMBER
001	669-4154	NAME PLATE CG40EF(L)	1	
002	669-4623	SYMBOL MARK CG40EF(L)	1	
008	668-4850	CAUTION MARK 9900RPM	1	