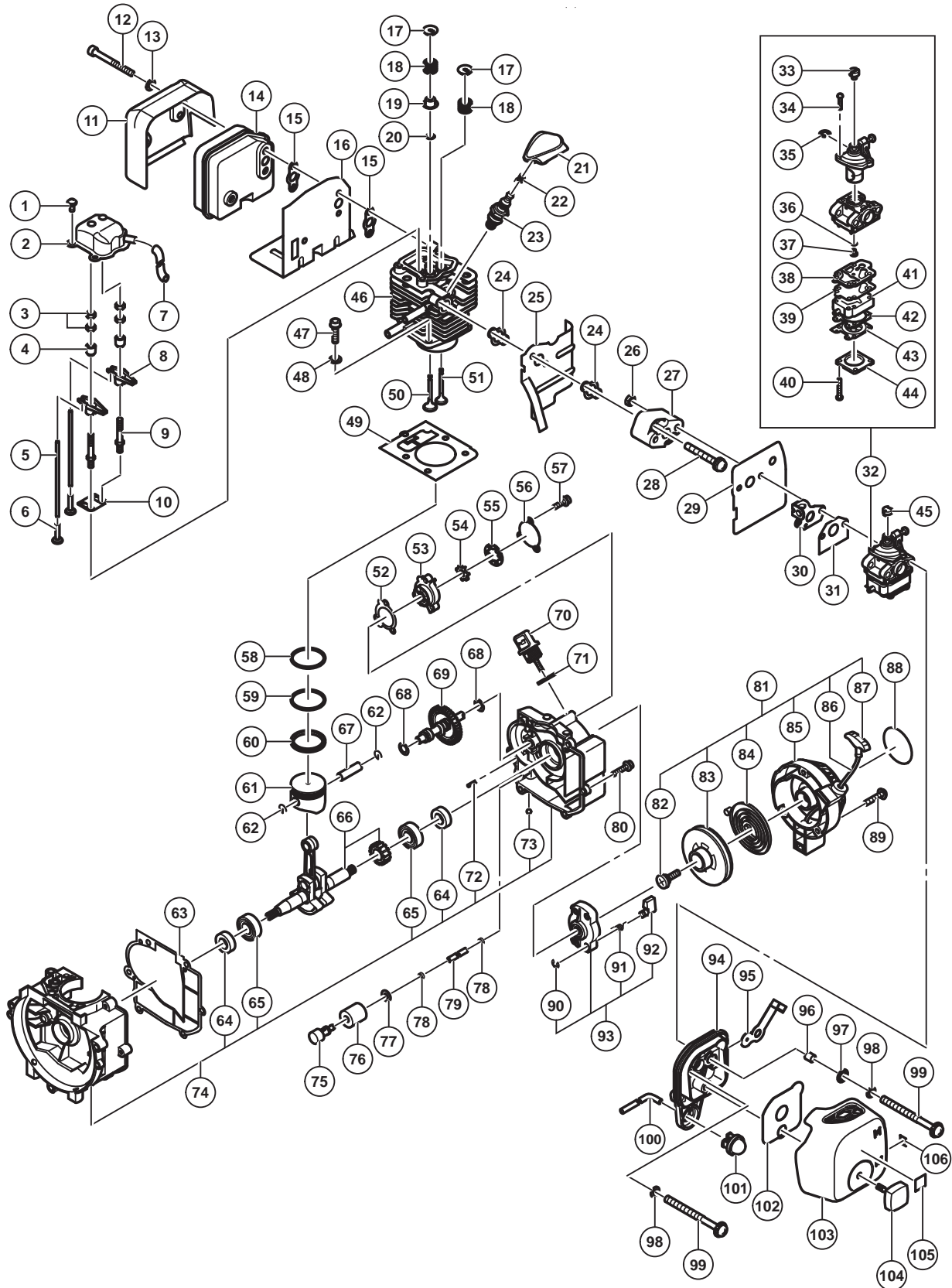


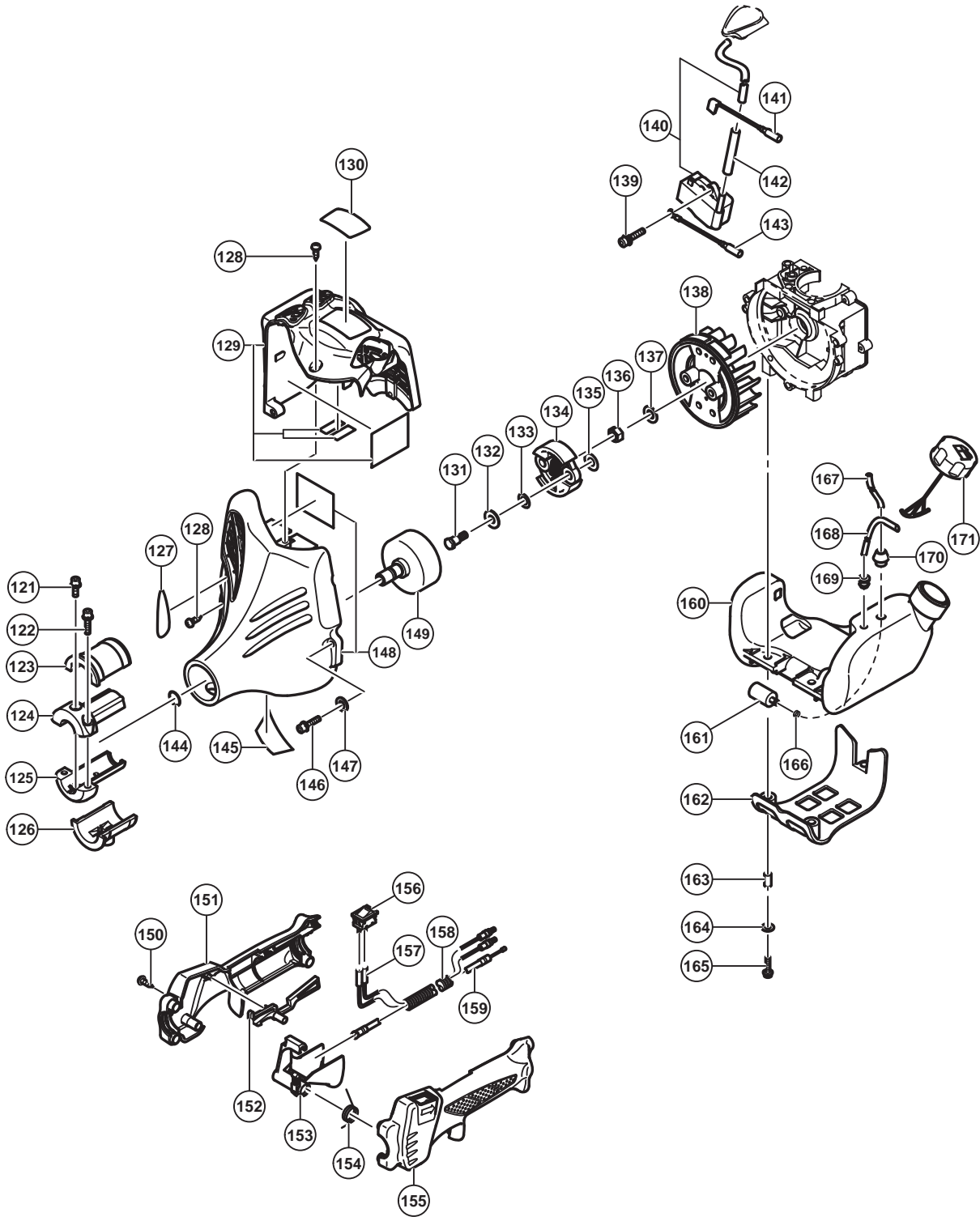
## ENGINE TOOL PARTS LIST

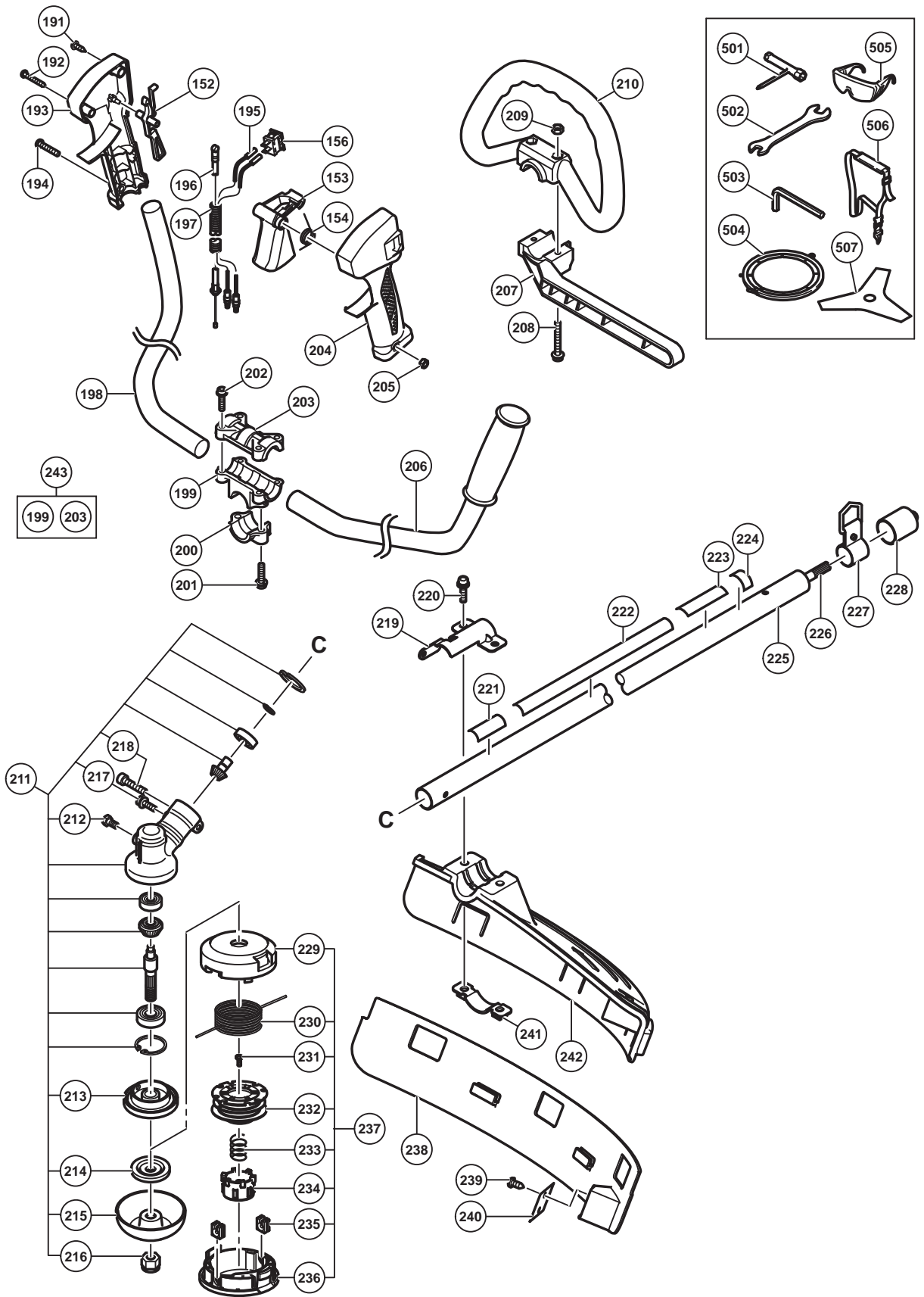
### ENGINE GRASS TRIMMER Model CG 25EUP2

2015-9-29

(E1)







## PARTS

CG 25EUP2

ITEM NO.	CODE NO.	DESCRIPTION	NO. USED	REMARKS
1	307635	MACHINE SCREW (W/SP. WASHER) M4 X 10	3	
2	6696440	CYLINDER HEAD COVER	1	
3	949566	LOCK NUT M5 (10 PCS.)	4	
4	6696438	PIVOT ROCKER ARM	2	
5	6696437	PUSH ROD	2	
6	6696432	TAPPET	2	
7	6696442	BREATHER PIPE	1	
8	6696439	ROCKER ARM	2	
9	6696415	SHAFT BOLT	2	
10	6696414	PUSH ROD GUIDE	1	
11	6600329	MUFFLER HEAT COVER	1	
12	6685409	HEX. SOCKET HD. BOLT M5	3	
13	6685408	WASHER 5	3	
14	6696462	MUFFLER	1	
15	6696460	MUFFLER GASKET (A)	2	
16	6696461	WIND GUIDE PLATE (B)	1	
17	6696421	RETAINER VALVE	2	
18	6696420	VALVE SPRING	2	
19	6696418	STEM SEAL BASE	1	
20	6696419	STEM SEAL	1	
21	6696465	SPARK PLUG CAP	1	
22	6696996	METAL FITTING OF PLUG CAP	1	
23	6699310	SPARK PLUG ASS'Y CMR5H	1	
24	6696450	INSULATOR GASKET	2	
25	6696451	WIND GUIDE PLATE (A)	1	
26	949566	LOCK NUT M5 (10 PCS.)	2	
27	6696452	INSULATOR	1	
28	880561	MACHINE SCREW (W/WASHERS) M5 X 30	2	
29	6696954	CARBURETOR GASKET	1	
30	6684629	THROTTLE WIRE FIXING PLATE	1	
31	6696956	INSULATOR GASKET (B)	1	
32	6696957	CARBURETOR	1	INCLUD.33-44
33		SWIVEL	1	
34		SET SCREW	2	
35		RING-SPRING RETAINING	1	
36		O-RING	1	
37		JET	1	
38		GASKET-PUMP	1	
39		DIAPHRAGM-PUMP	1	
40		SET SCREW	4	
41		BODY ASS'Y-PUMP	1	
42		GASKET-METERING DIAPHRAGM	1	
43		DIAPHRAGM ASS'Y-METERING	1	
44		COVER-METERING DIAPHRAGM	1	
45	6691337	SWIVEL CAP	1	
46	6696413	CYLINDER (A)	1	
47	6696958	HEX. SOCKET BOLT M5 X 20	5	
48	6685408	WASHER 5	5	
49	6696436	CYLINDER GASKET	1	
50	6696417	INTAKE VALVE	1	

## PARTS

CG 25EUP2

ITEM NO.	CODE NO.	DESCRIPTION	NO. USED	REMARKS
51	6696416	EXHAUST VALVE	1	
52	6696444	PUMP GASKET	1	
53	6696443	BASE PUMP	1	
54	6696445	INNER ROTOR	1	
55	6696446	OUTER ROTOR	1	
56	6696447	COVER PUMP	1	
57	6684682	HEX. HOLE BOLT 4 X 15/PS	3	
58	6696429	1ST RING	1	
59	6696430	2ND RING	1	
60	6696431	OIL RING	1	
61	6696427	PISTON	1	
62	6684590	CIR CLIP	2	
63	6696425	CRANK CASE GASKET	1	
64	6684607	OIL SEAL TB 12227	2	
65	6684608	BALL BEARING 6001 C3	2	
66	6696426	CRANK SHAFT GEAR SET	1	
67	6684591	PISTON PIN	1	
68	6696434	SHIM	2	
69	6696433	CAM SHAFT SET	1	
70	6696449	OIL CAP	1	
71	6696959	O-RING (I.D 13.8)	1	
72	6685391	NEEDLE ROLLER D3	2	
73	321905	STEEL BALL D4 (10 PCS.)	1	
74	6696960	CRANK CASE ASS'Y (B)	1	INCLUD.64,65,72,73
75	6685310	OIL FILTER BODY	1	
76	6690919	OIL FILTER	1	
77	6685407	BOLT WASHER D5	1	
78	6685311	CLIP	2	
79	6696435	FUEL PIPE	1	
80	6698388	HEX. SOCKET HD. BOLT (W/WASHERS) M4 X 18	6	
81	6696470	RECOIL STARTER BODY ASS'Y	1	INCLUD.82-87
82		SET SCREW	1	
83		REEL	1	
84		SPIRAL SPRING	1	
85		STARTER CASE	1	
86	6693168	ROPE	1	
87		STARTER KNOB	1	
88		NAME PLATE	1	
89	6696472	SEAL LOCK SCREW M4	3	
90		RETAINING RING (E-TYPE) D5	2	
91		STARTER PAWL SPRING	2	
92		STARTER PAWL	2	
93	6696471	STARTER PULLEY ASS'Y	1	INCLUD.90-92
94	6696455	CLEANER BODY	1	
95	6697368	CHOKE PLATE COMP.	1	
96	6684659	COLLAR 8	1	
97	6684658	WAVE WASHER 8	1	
98	6685407	BOLT WASHER D5	2	
99	6696961	MACHINE SCREW (W/SP. WASHER) M5	2	
100	6699014	FUEL PIPE L70	1	

**PARTS**

CG 25EUP2

ITEM NO.	CODE NO.	DESCRIPTION	NO. USED	REMARKS
101	6685139	PRIMING PUMP COMP.	1	
102	6696459	CLEANER ELEMENT	1	
103	6696458	CLEANER COVER	1	
104	6684655	COVER FIXING BOLT	1	
* 105	6699000	PRIMER LABEL	1	FOR EUROPE
* 106	6600327	MARK PLATE (T)	1	FOR EUROPE
121	6699176	HEX. SOCKET HD. BOLT (W/SP.WASHER) M5 X 12	1	
122	305583	HEX. SOCKET HD. BOLT (W/SP.WASHER) M5 X 20	2	
123	6696963	ANTI VIBE RUBBER (A)	1	
124	6698643	PIPE HOLDER (A)	1	
125	6698644	PIPE HOLDER (B)	1	
126	6696964	ANTI VIBE RUBBER (B)	1	
127		HITACHI LABEL (C)	1	
128	6698878	TAPPING SCREW D4.5 X 16	2	
129	6600421	ENGINE COVER (W/ALUMINUM TAPE)	1	
130		LABEL (4-STROKE)	1	
131	6696469	STEP BOLT	2	
132	6684648	BENT WASHER 8	2	
133	6696965	CLUTCH PLATE (A)	2	
134	6696948	CLUTCH	1	
135	6684642	CLUTCH WASHER B	2	
136	6685337	FLYWHEEL NUT	1	
137	6685410	BOLT WASHER D8	1	
138	6696464	MAGNET ROTOR	1	
139	6698388	HEX. SOCKET HD. BOLT (W/WASHERS) M4 X 18	2	
140	6696463	IGNITION COIL SET	1	
141	6696467	STOP CORD	1	
142	6696966	CORD INSULATION TUBE	1	
143	6696466	EARTH CORD	1	
144	939542	RETAINING RING FOR D12 SHAFT (10 PCS.)	1	
* 145		CAUTION MARK EU	1	FOR EUROPE
* 145		CAUTION MARK RUS	1	FOR RUS
146	305583	HEX. SOCKET HD. BOLT (W/SP.WASHER) M5 X 20	3	
147	6685408	WASHER 5	3	
148	6600330	FAN CASE (A) W/ALUMINUM TAPE	1	
149	6698793	CLUTCH SHAFT	1	
* 150	305812	TAPPING SCREW (W/FLANGE) D4 X 16 (BLACK)	4	FOR (L)
* 151	6696487	HANDLE (B)	1	FOR (L)
152	6696490	LOCK LEVER	1	
153	6696488	LEVER	1	
154	6696489	SPRING (A)	1	
* 155	6696486	HANDLE (A)	1	FOR (L)
156	6696940	STOP SWITCH	1	
* 157	6696491	STOP SWITCH CORD	2	FOR (L)
* 158	6696967	PROTECTION TUBE	1	FOR (L)
* 159	6696492	THROTTLE WIRE (EU)	1	FOR (L)
160	6696474	TANK	1	
161	6685199	PUMP FILTER BODY	1	
162	6696477	STAND	1	
163	6696478	COLLAR	3	

## PARTS

CG 25EUP2

ITEM NO.	CODE NO.	DESCRIPTION	NO. USED	REMARKS
164	6685408	WASHER 5	3	
165	6684709	HEX. HOLE BOLT M5 X 25/S	3	
166	6685311	CLIP	1	
167	6698717	FUEL PIPE	1	
168	6696476	FUEL PIPE (PINK)	1	
169	6697846	RETURN GROMMET	1	
170	6698931	FUEL GROMMET	1	
171	6696479	TANK CAP ASS'Y (A)	1	
* 191	302086	TAPPING SCREW (W/FLANGE) D4 X 20 (BLACK)	1	EXCEPT FOR (L)
* 192	323837	TAPPING SCREW (W/FLANGE) D4 X 30	1	EXCEPT FOR (L)
* 193	6696590	HANDLE (B)	1	EXCEPT FOR (L)
* 194	323041	MACHINE SCREW M5 X 30 (BLACK)	1	EXCEPT FOR (L)
* 195	6696592	STOP SWITCH CORD	2	EXCEPT FOR (L)
* 196	6696593	THROTTLE WIRE COMP.	1	EXCEPT FOR (L)
* 197	6696594	PROTECTION TUBE	1	EXCEPT FOR (L)
* 198	6698637	HANDLE RIGHT	1	EXCEPT FOR (L)
* 199	6600501	HANDLE HOLDER (B)	1	SINCE 7.2015 EXCEPT FOR (L)
* 200	6696578	HANDLE HOLDER (C)	1	EXCEPT FOR (L)
* 201	6684714	HEX. HOLE BUTTON SCREW 6 X 25S	2	EXCEPT FOR (L)
* 202	6684709	HEX. HOLE BOLT M5 X 25/S	4	EXCEPT FOR (L)
* 203	6600500	HANDLE HOLDER (A)	1	SINCE 7.2015 EXCEPT FOR (L)
* 204	6696588	HANDLE (A)	1	EXCEPT FOR (L)
* 205	302012	NUT M5 (BLACK)	1	EXCEPT FOR (L)
* 206	6698638	HANDLE (LEFT)	1	EXCEPT FOR (L)
* 207	6696973	BARRIER	1	FOR (L)
* 208	6696974	BOLT (BLACK) M6	2	FOR (L)
* 209	949566	LOCK NUT M5 (10 PCS.)	2	FOR (L)
* 210	6696975	LOOP HANDLE	1	FOR (L)
211	6699402	GEAR CASE ASS'Y 3BB (A)	1	INCLUD.212-218
212	6684737	BOLT (W/PLUS) M6 X 8	1	
213	6696977	CUTTER HOLDER (A)	1	
214	6698659	CUTTER HOLDER (B)	1	
215	6699188	NUT COVER	1	
216	335759	U-NUT (LEFT HAND) M10	1	
217	6695414	SCREW 5 X 12/W.S	1	
218	949664	HEX. SOCKET HD. BOLT M5 X 30 (10 PCS.)	1	
219	6696494	COVER BRACKET	1	
220	6684714	HEX. HOLE BUTTON SCREW 6 X 25S	2	
221	6600328	CAUTION LABEL (HEDGE)	1	
* 222	6600450	CAUTION MARK HITACHI	1	
* 222	6600447	CAUTION MARK (USA)	1	FOR (L)
* 223	6600446	LEVEL MARK (B)	1	FOR (L)
224	6684851	LEVEL MARK	1	
225	6696558	MAIN PIPE COMP.	1	
226	6698514	DRIVE SHAFT	1	
227	6696493	HANGER	1	
228	6698515	CAP (A)	1	
229	6698794	COVER	1	
230		NYLON CORD	1	
231	6698795	SET SCREW	1	

**PARTS**

CG 25EUP2

ITEM NO.	CODE NO.	DESCRIPTION	NO. USED	REMARKS
232	6698796	REEL	1	
233	6698797	RETURN SPRING	1	
234	6698798	BUTTON	1	
235	6698799	CORD GUIDE	2	
236	6698800	CASE	1	
237	6696454	NYLON HEAD ASS'Y	1	INCLUD.229-236
238	6696950	COVER GUARD	1	
239	6684751	TAPPING SCREW 4 X 14	1	
240	6684750	KNIFE	1	
241	6696951	GUARD HOLDER	1	
242	6696980	COVER	1	
* 243	6600499	HANDLE HOLDER (A).(B) SET	1	TILL 6.2015 EXCEPT FOR (L)

**STANDARD ACCESSORIES**

ITEM NO.	CODE NO.	DESCRIPTION	NO. USED	REMARKS
501	6696457	BOX WRENCH (HEX. SOCKET 16/17MM)	1	
502	6696596	WRENCH 8 X 10	1	
503	944458	HEX. BAR WRENCH 4MM	1	
* 504	6699756	CUTTER COVER	1	EXCEPT FOR (L)
505	875769	SAFETY GLASSES	1	
506	6696448	SHOULDER BELT SINGLE	1	
* 507	6698711	BLADE 3T X 255 X T1.8	1	EXCEPT FOR (L)