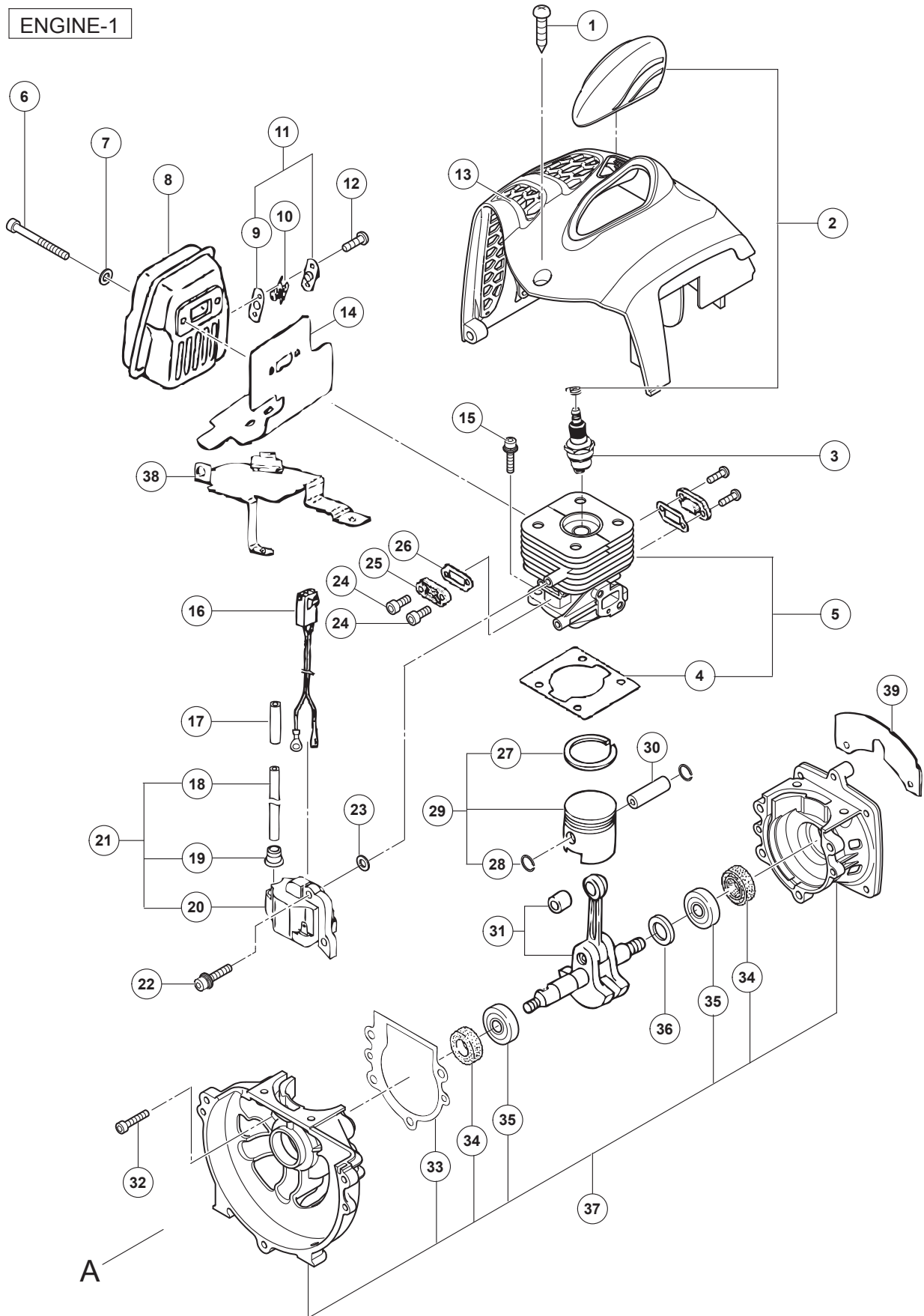


ENGINE TOOL PARTS LIST

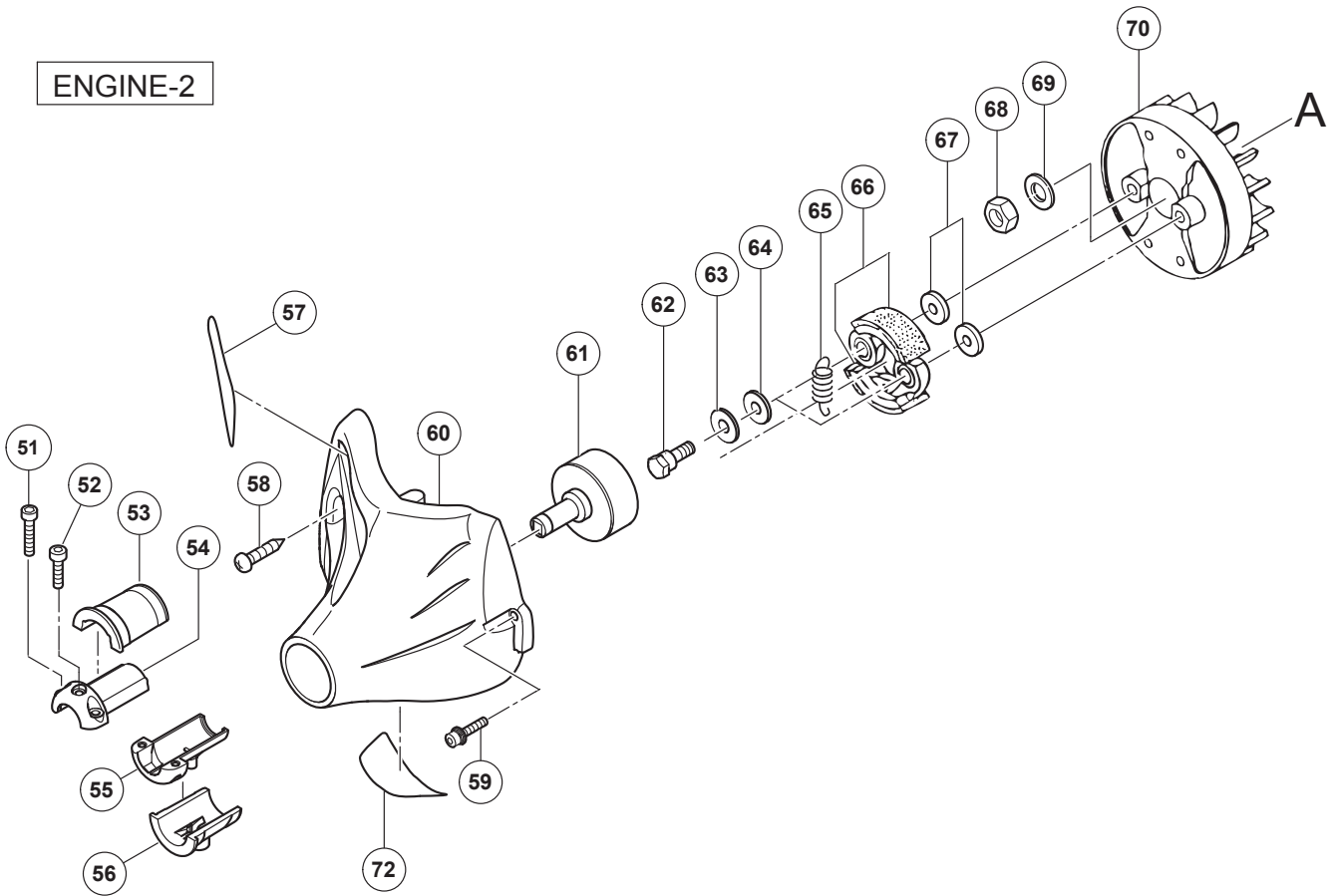
ENGINE GRASS CUTTER Model CG 24EKB

2008·12·4
(E1)

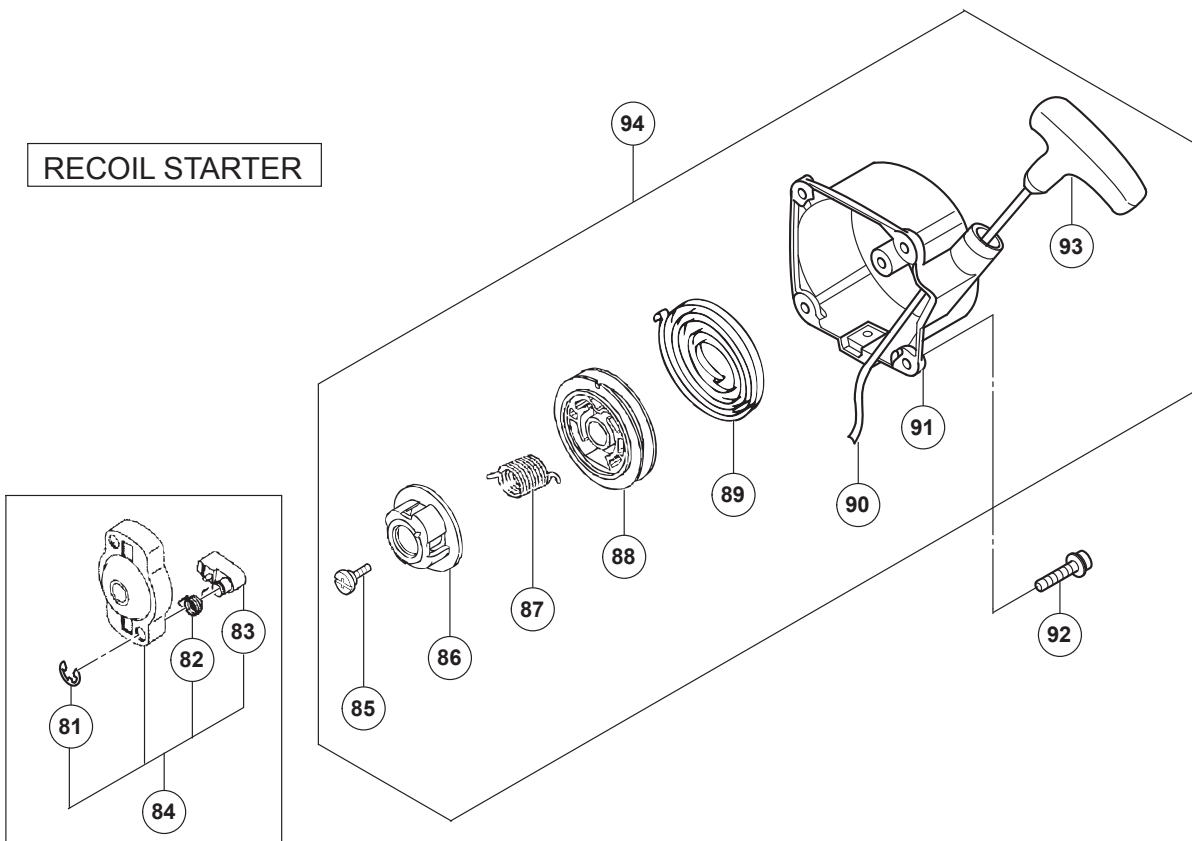
ENGINE-1



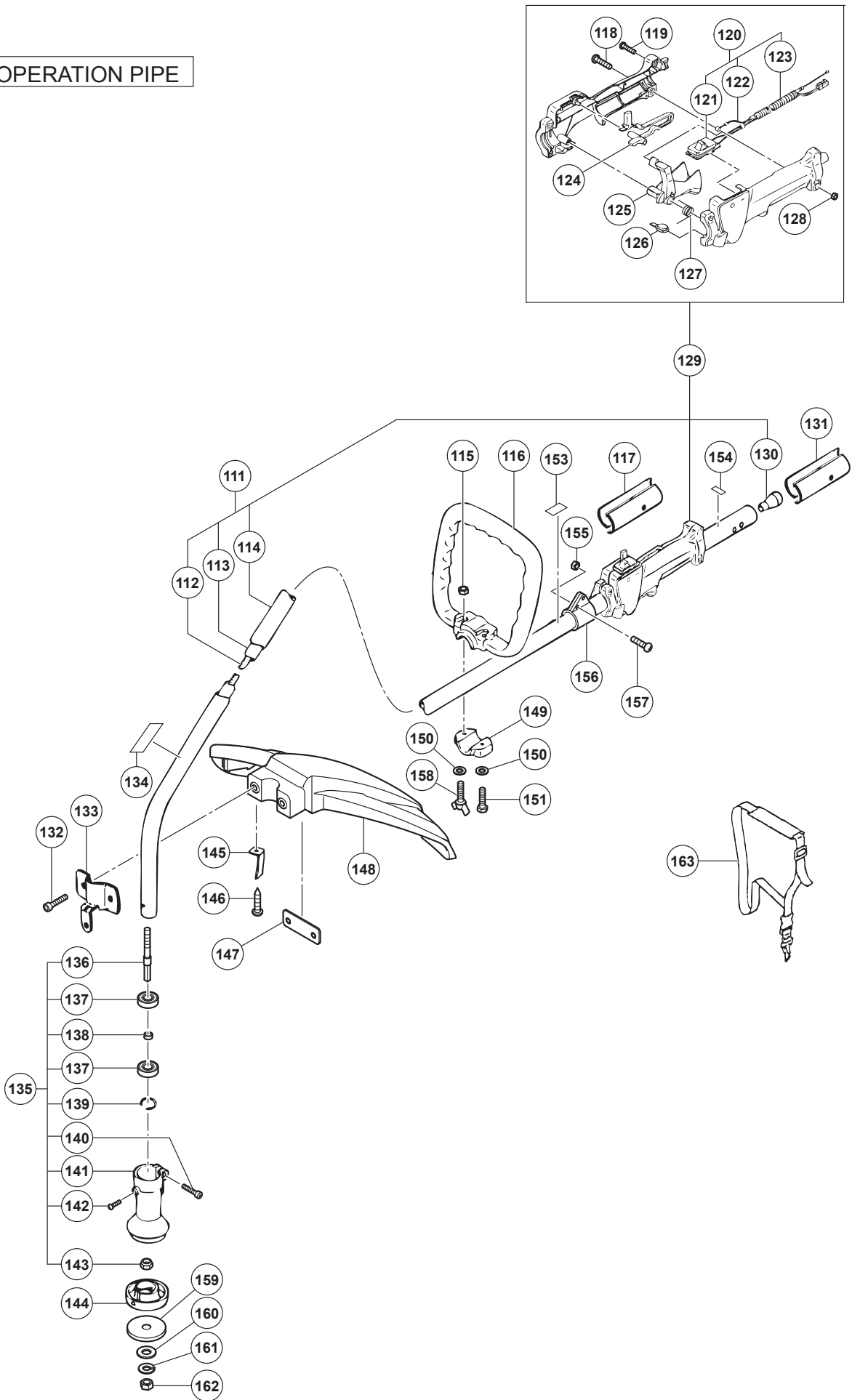
ENGINE-2



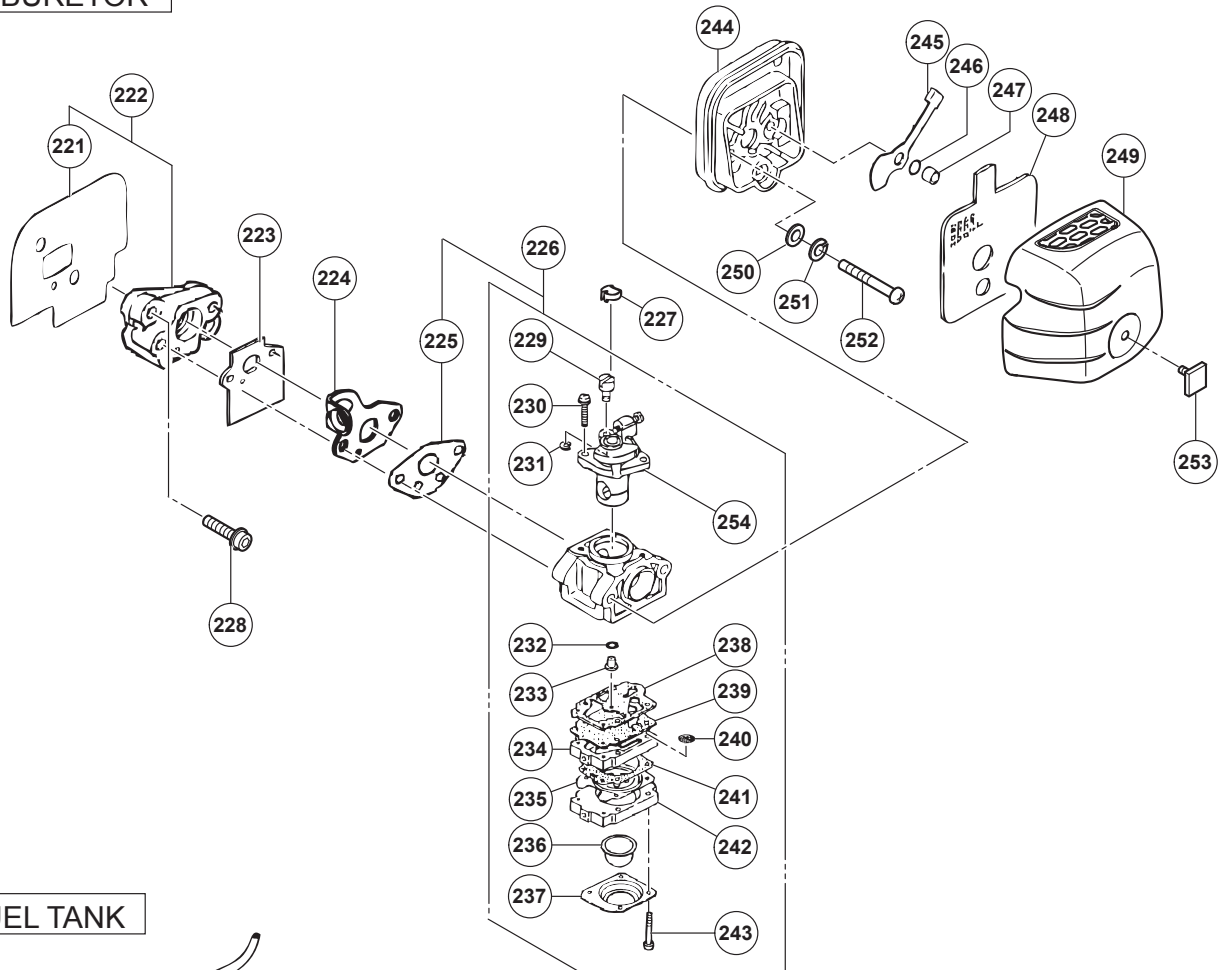
RECOIL STARTER



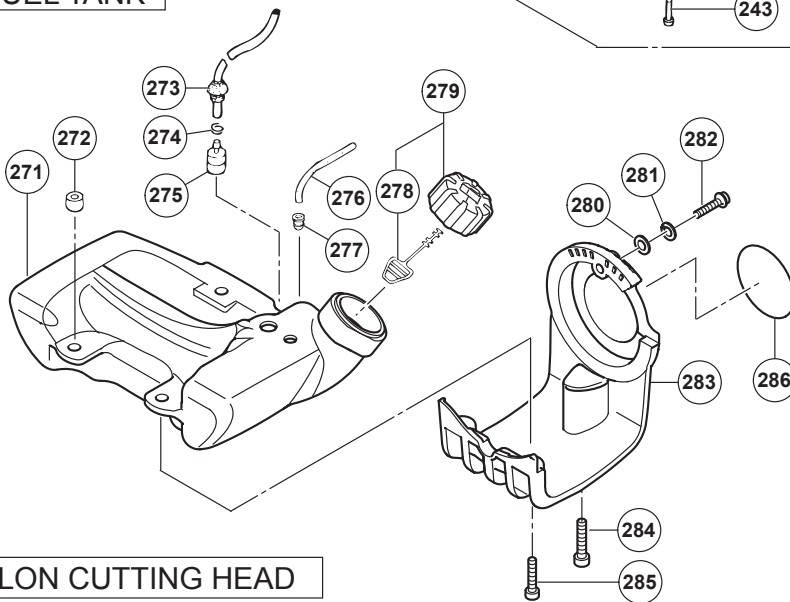
OPERATION PIPE



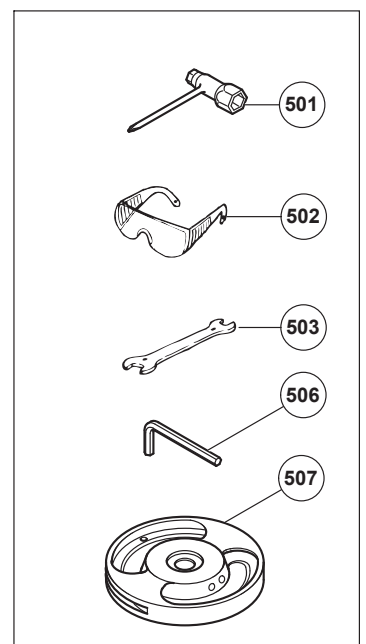
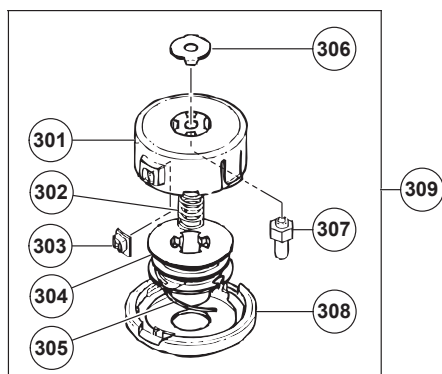
CARBURETOR



FUEL TANK



NYLON CUTTING HEAD



PARTS

CG 24EKB

ITEM NO.	CODE NO.	DESCRIPTION	NO. USED	REMARKS
		ENGINE-1		
1	668-4637	TAPPING SCREW D4.5X12	1	
2	668-4583	SPARK PLUG CAP ASS'Y	1	
3	668-4584	SPARK PLUG BMR7A	1	
4	668-4587	CYLINDER GASKET	1	
5	668-4585	CYLINDER SET	1	INCLUD. 4
6	668-4638	HEX. HOLE BOLT M6X55	2	
7	668-4639	WASHER 6	2	
* 8	668-4640	MUFFLER COMP.	1	
* 8	668-4842	MUFFLER COMP.	1	FOR NON-EMISSION AREA
9	668-4650	MUFFLER SPECIAL GASKET	1	
10	668-4652	SPARK ARRESTOR	1	
* 11	668-4649	TAIL PIPE SET	1	INCLUD. 9
* 11	668-4843	TAIL PIPE SET	1	INCLUD. 9 FOR AUS
12	668-4651	SCREW M4X8/WS	2	
13	668-4635	MUFFLER PROTECTOR	1	
14	668-4641	HEAT SHIELD	1	
15	668-4586	HEX. HOLE BOLT M5X18/S	4	
16	668-4603	LEAD WIRE ASS'Y	1	
17	668-4597	INSULATOR TUBE 50L	1	
18	668-4596	HIGH TENSION CORD	1	
19	668-4602	RUBBER CAP	1	
20	668-4598	IGNITION COIL COMP.	1	
21	668-4601	IGNITION COIL ASS'Y	1	INCLUD. 18-20
22	668-4599	HEX. HOLE BOLT M4X18/WS	2	
23	668-4600	WASHER	2	
24	668-4595	HEX. HOLE BOLT M4X12/S	4	
25	668-4594	INTAKE COVER	2	
26	668-4593	COVER PACKING	2	
27	668-4588	PISTON RING	2	
28	668-4590	PISTON PIN CIRCLIP	2	
29	668-4589	PISTON SET	1	INCLUD. 27, 28
30	668-4591	PISTON PIN	1	
31	668-4592	CRANK SHAFT COMP.	1	
32	668-4586	HEX. HOLE BOLT M5X18/S	4	
33	668-4609	CRANK CASE GASKET	1	
34	668-4607	OIL SEAL TB 12227	2	
35	668-4608	BALL BEARING 6001 C3	2	
36	668-4604	GEAR SHAFT SHIM 0.20	1	
36	668-4605	GEAR SHAFT SHIM 0.30	1	
37	668-4606	CRANK CASE ASS'Y	1	INCLUD. 33-35
38	668-4844	HEAT SHIELD B COMP.	1	
39	668-4845	PARTITION PLATE	1	
		ENGINE-2		
51	668-4668	HEX. HOLE BOLT M5X20/S	2	
52	668-4667	HEX. HOLE BOLT M5X12/S	1	
53	668-4666	ANTI-VIBE RUBBER A	1	
54	668-4670	PIPE HOLDER A	1	
55	668-4671	PIPE HOLDER B	1	
56	668-4665	ANTI-VIBE RUBBER B	1	

PARTS

CG 24EKB

ITEM NO.	CODE NO.	DESCRIPTION	NO USED	REMARKS
57	668-4846	SYMBOL MARK HITACHI	1	
58	668-4636	TAPPING SCREW D4.5X16	1	
59	668-4647	HEX. HOLE BOLT M5X18/WS	3	
60	668-4669	FAN CASE COMP. (ORANGE)	1	
61	668-4663	CLUTCH DRUM COMP.	1	
62	668-4646	STEP BOLT	2	
63	668-4648	BENT WASHER 8	2	
64	668-4645	CLUTCH PLATE A 0.5	2	
65	668-4644	CLUTCH SPRING	1	
66	668-4643	CLUTCH SHOE COMP.	2	
67	668-4642	CLUTCH WASHER B	2	
68	668-4612	HEX. NUT M8	1	
69	668-4611	WASHER M8	1	
70	668-4610	MAGNETO ROTOR COMP.	1	
72		CAUTION LABEL	1	
		RECOIL STARTER		
81	668-4683	STOP RING E-5	2	
82	668-4684	STARTER PAWL SPRING	2	
83	668-4685	STARTER PAWL	2	
84	668-4681	STARTER PULLEY ASS'Y	1	INCLUD. 81-83
85	668-4679	SET SCREW	1	
86	668-4678	CAM PLATE	1	
87	668-4677	DUMPER SPRING	1	
88	668-4676	STARTER ROPE REEL	1	
89	668-4675	RECOIL SPRING	1	
90	668-4674	STARTER ROPE 3.5X860	1	
91	668-4673	RECOIL STARTER BODY COMP.	1	
92	668-4682	HEX. HOLE BOLT 4X15/PS	4	
93	668-4680	STARTER HANDLE	1	
94	668-4672	RECOIL STARTER BODY ASS'Y	1	INCLUD. 85-93
		OPERATION PIPE		
111	668-4769	MAIN PIPE SET	1	INCLUD.112-114,130
112	668-4773	FLEXIBLE SHAFT	1	
113	668-4772	FLEXIBLE LINER	1	
114	668-4771	MAIN PIPE	1	
115	668-4792	NUT M6	2	
116	668-4791	LOOP HANDLE	1	
117	668-4794	SPACER	2	
118	668-4803	SCREW M5X20	2	
119	668-4725	SCREW M4X20 (BLACK)	4	
120	668-4797	THROTTLE WIRE COMP.	1	INCLUD. 121-123
121	668-4799	STOP BUTTON COMP.	1	
122	668-4798	THROTTLE WIRE 4T	1	
123	668-4800	PROTECTION TUBE 7X185L	1	
124	668-4721	SAFETY LEVER	1	
125	668-4804	THROTTLE LEVER	1	
126	668-4724	BLIND PLUG	1	
127	668-4722	RETURN SPRING	1	
128	668-4727	CONTAL NUT 5	2	
129	668-4790	THROTTLE LEVER ASS'Y	1	INCLUD. 118-120, 124-128

PARTS

CG 24EKB

ITEM NO.	CODE NO.	DESCRIPTION	NO USED	REMARKS
130	668-4789	SPACER	1	
131	668-4788	HOLDER PIPE	2	
132	668-4786	HEX. SOCKET HD. BOLT M5X30 S	2	
133	668-4784	COVER BRACKET 22	1	
134	668-4850	CAUTION MARK 9900RPM	1	
135	668-4770	CUTTER CASE ASS'Y	1	INCLUD. 136-143
136	668-4774	CUTTER SHAFT	1	
137	668-4775	BALL BEARING 608DD	2	
138	668-4776	COLLAR	1	
139	668-4781	STOP RING R-22, INNER	1	
140	668-4779	HEX. SOCKET HD. BOLT (W/WASHERS) M5X30	1	
141	668-4778	CUTTER CASE	1	
142	668-4777	MACHINE SCREW M5X10	1	
143	668-4780	SPECIAL NUT	1	
144	668-4782	CUTTER HOLDER	1	
145	668-4754	KNIFE	1	
146	668-4753	TAPPING SCREW 5X20	1	
147	668-4785	SAFETY GUARD HOLDER	1	
148	668-4783	SAFETY GUARD	1	
149	668-4793	HANDLE BRACKET (A)	1	
150	668-4639	WASHER 6	2	
* 151	668-4795	PLUS BOLT 6X40	2	
* 151	668-4795	PLUS BOLT 6X40	1	FOR AUS
153	668-4852	LEVEL MARK	1	
154	668-4851	LEVEL MARK	1	
* 155	668-4965	NUT M5	1	FOR AUS
* 156	668-4966	HANGER	1	FOR AUS
* 157	668-4967	SCREW	1	FOR AUS
* 158	668-4968	WING BOLT M6	1	FOR AUS
* 159	668-4969	FLANGE	1	FOR AUS
* 160	668-4611	WASHER M8	1	FOR AUS
* 161	668-4971	S. WASHER 8	1	FOR AUS
* 162	668-4612	HEX. NUT M8	1	FOR AUS
* 163	668-4839	SHOULDER BELT SINGLE	1	FOR AUS
		CARBURETOR		
221	668-4613	INSULATOR GASKET	1	
222	668-4840	INSULATOR SET	1	INCLUD. 221
223	668-4616	CARBURETOR GASKET	1	
224	668-4629	THROTTLE WIRE FIXING PLATE	1	
225	668-4615	CARBURETOR GASKET	1	
* 226	668-4624	CARBURETOR SET WYL-259	1	INCLUD. 225, 229-239, 241-243
* 226	668-4841	CARBURETOR SET WYL-262	1	INCLUD. 225, 229-239, 241-243, 254
				FOR NON-EMISSION AREA
227	668-4628	SWIVEL CAP	1	
228	668-4617	HEX. HOLE BOLT 5X25/WS	2	
229	668-4697	SWIVEL	1	
230	668-4698	THROTTLE SET SCREW	2	
231	668-4696	STOP RING	1	
232	668-4695	O-RING	1	
* 233	668-4694	MAIN JET 33	1	

PARTS

CG 24EKB

ITEM NO.	CODE NO.	DESCRIPTION	NO. USED	REMARKS
*	233	668-4854 MAIN JET 35	1	FOR NON-EMISSION AREA
	234	668-4686 PUMP BODY COMP.	1	INCLUD. 240
	235	668-4690 METERING DIAPHRAGM	1	
	236	668-4689 PRIMING BODY	1	
	237	668-4688 DIAPHRAGM COVER	1	
	238	668-4693 PUMP DIAPHRAGM	1	
	239	668-4692 PUMP GASKET	1	
	240	668-4700 INLET SCREEN	1	
	241	668-4691 DIAPHRAGM GASKET	1	
	242	668-4687 PRIMING PUMP COMP.	1	
	243	668-4699 SET SCREW	4	
	244	668-4656 CLEANER BODY COMP.	1	
	245	668-4657 CHOKE VALVE	1	
	246	668-4658 WAVE WASHER 8	1	
	247	668-4659 COLLAR 8	1	
	248	668-4654 AIR CLEANER ELEMENT	1	
	249	668-4653 CLEANER COVER	1	
	250	668-4661 WASHER 5	2	
	251	668-4662 S. WASHER 5	2	
	252	668-4660 SCREW M5X60	2	
	253	668-4655 COVER FIXING BOLT	1	
*	254	668-4853 VALVE ASSEMBLY-THROTTLE	1	FOR NON-EMISSION AREA
		FUEL TANK		
	271	668-4621 TANK (WHITE)	1	
	272	668-4623 COLLAR C	3	
	273	668-4618 FUEL PIPE ASS'Y	1	
	274	668-4619 CLIP, 6.3 DIA.	1	
	275	668-4620 PUMP FILTER BODY COMP.	1	
	276	668-4626 FUEL PIPE 3X5X65	1	
	277	668-4627 RETURN GROMMET	1	
	278	668-4625 TANK CAP CHAIN	1	
	279	668-4622 TANK CAP ASS'Y	1	INCLUD. 278
	280	668-4632 WASHER 4	1	
	281	668-4633 S. WASHER 4	1	
	282	668-4631 HEX. HOLE BOLT M4X45	1	
	283	668-4630 STAND	1	
	284	668-4617 HEX. HOLE BOLT 5X25/WS	1	
	285	668-4634 HEX. HOLE BOLT 5X20/PS	2	
	286	NAME PLATE CG 24EKB (SL)	1	
		NYLON CUTTING HEAD		
*	301	668-4807 CUTTING BODY	1	FOR EUROPE
*	302	668-4809 REEL SPRING	1	FOR EUROPE
*	303	668-4810 EYELET	2	FOR EUROPE
*	304	668-4811 SPOOL	1	FOR EUROPE
*	305	NYLON CORD 2.4MMX5M	1	FOR EUROPE
*	306	668-4806 SPECIAL WASHER	1	FOR EUROPE
*	307	668-4808 MOUNTING NUT M8X1.25F	1	FOR EUROPE
*	308	668-4812 NYLON CORD CAP	1	FOR EUROPE
*	309	668-4805 NYLON HEAD ASS'Y	1	INCLUD. 301-308 FOR EUROPE

